

AUNLED



Features

Die-cast aluminium construction with tamperproof stainless steel allen key screws and opal polycarbonate diffuser.

LED lifespan L70 50,000 hours.

Non-dimmable.

General Information

Lamp Type	LED
Colour / Finish	Black
IP Rating	IP65
IK Rating	IK10
Class Protection	1
Internal / External	External
Surface / Recessed / Suspended	Surface
Warranty (Years)	5
CE Mark	Yes
Diameter (mm)	270
Depth (mm)	123

Technical Information

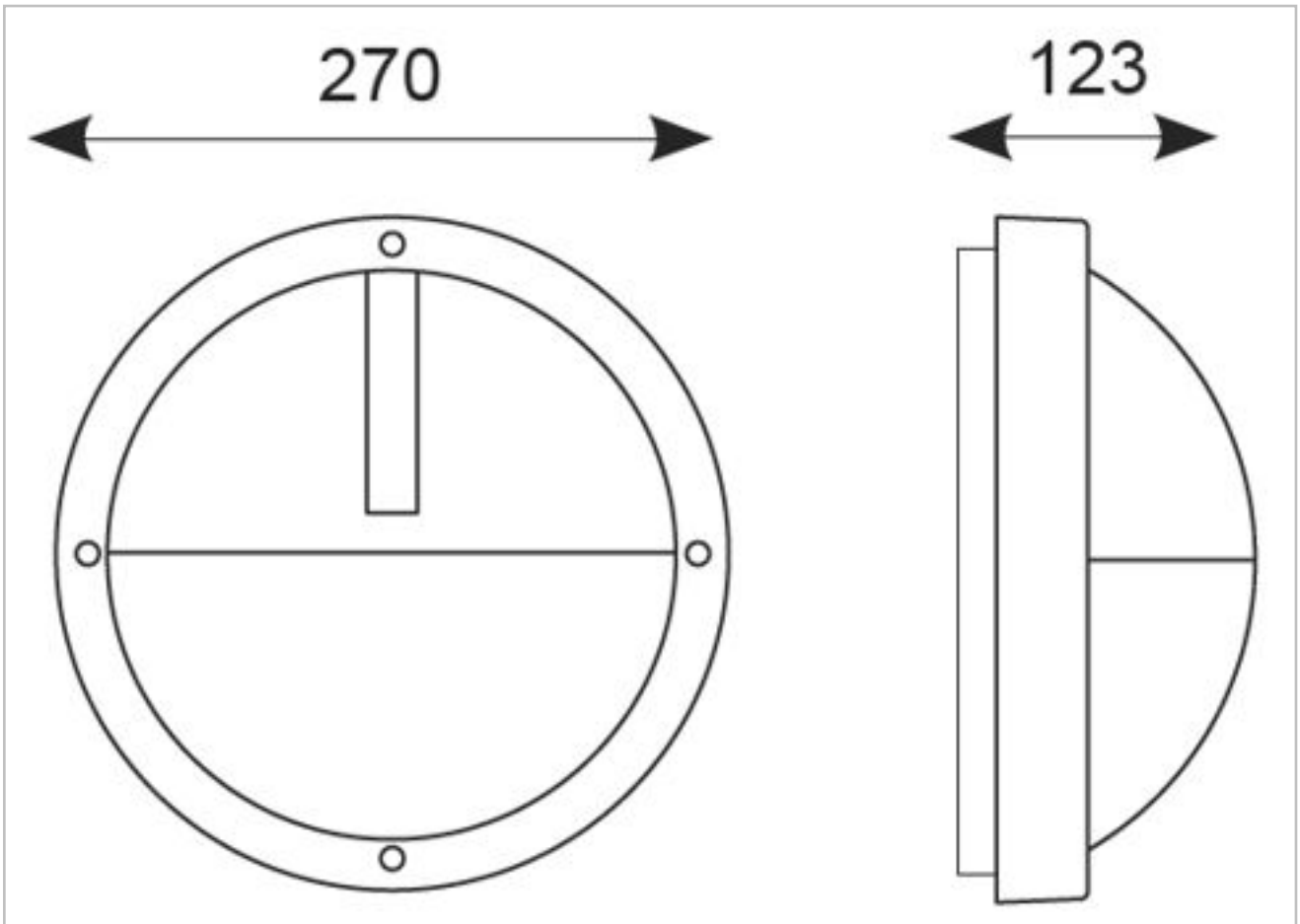
Wattage	12W
Lumens Delivered	442lm
Lm/W	37lm
CRI	Ra 80
CCT	4000k
Input	230V
Hertz	50/60Hz
Operating Temp	0°C to 25°C

Technical Data - ETIM - Ceiling-/wall luminaire (EC002892)

Suitable for wall mounting	Yes
Suitable for suspended mounting	No
Suitable for ceiling mounting	No
Suitable for built-in mounting	No
Suitable for surface mounting	Yes
With light source	Yes
Suitable for number of lamps	1
Material housing	Aluminium
Colour housing	Black
Nominal voltage	230-230 V
Control gear included	Yes
No dim function	Yes
Degree of protection (IP)	IP65
Impact strength	IK10
Protection class	I
Suitable for emergency lighting	No
With movement sensor	No
With light sensor	No
Max. system power	12 W
Rated luminous flux acc. IEC 62722-2-1	442 lm
Colour of light	White
Colour temperature	4000-4000 K
Colour rendering index CRI	80-89
Luminaire efficacy	37 lm/W
Height/depth	123 mm

Length

270 mm



Datasheet generated from <https://onetimepim.com> last updated Tuesday, December 1, 2020 9:48:19 AM