



ADSIHLED1



Halo light spill effect

Features

Slim modern design with all polycarbonate construction with opal diffuser and white trim ring

Unique design creates halo light spill effect

8W exceeds performance of 28W TC-DD

Instant light output and unlimited switching

LED lifespan L70 56,000 hours

General Information

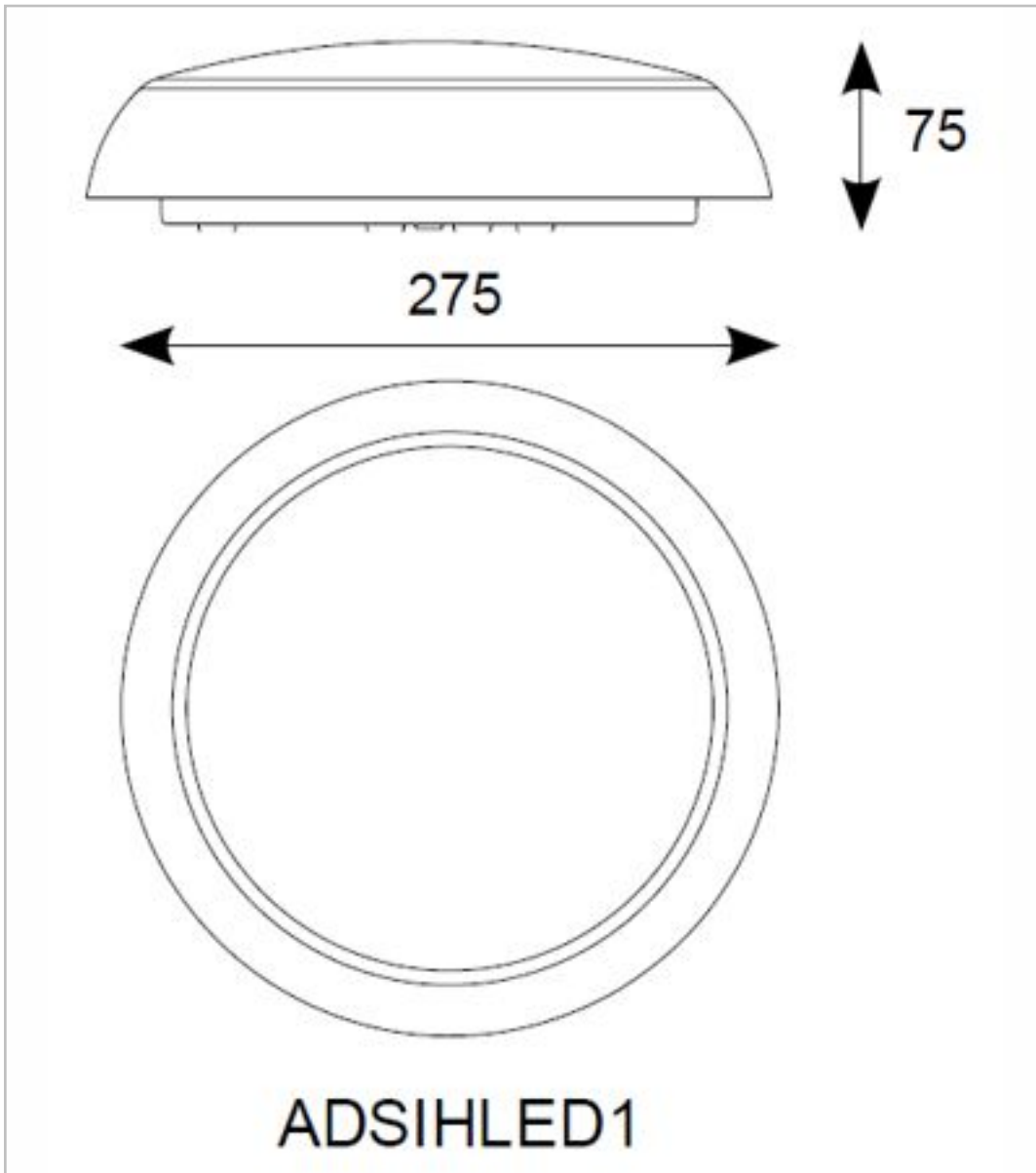
Lamp Type	LED
Colour / Finish	White
IP Rating	IP65
Class Protection	1
Bathroom Zone	2
Internal / External	Internal / External
Surface / Recessed / Suspended	Surface
Warranty (Years)	5
CE Mark	Yes
Diameter (mm)	275
Depth (mm)	75
Accessories	ADSILED/1BZ/CH, ADSILED/1BZ/GR

Technical Information

Wattage	8W
Lumens Delivered	687lm
Lm/W	86lm
CRI	Ra 80
CCT	4000K
Input	230V
Hertz	50Hz
Operating Temp	-10°C to 25°C

Technical Data - ETIM - Ceiling-/wall luminaire (EC002892)

Suitable for wall mounting	Yes
Suitable for suspended mounting	No
Suitable for ceiling mounting	Yes
Suitable for built-in mounting	No
Suitable for surface mounting	Yes
With light source	Yes
Suitable for number of lamps	1
Material housing	Plastic
Colour housing	White
Nominal voltage	230-230 V
Control gear included	Yes
Degree of protection (IP)	IP65
Protection class	I
Suitable for emergency lighting	No
With movement sensor	No
With light sensor	No
Max. system power	8 W
Rated luminous flux acc. IEC 62722-2-1	687 lm
Colour of light	White
Colour temperature	4000-4000 K
Colour rendering index CRI	80-89
Luminaire efficacy	86 lm/W
Height/depth	75 mm
Length	275 mm



Datasheet generated from <https://onetimepim.com> last updated Tuesday, December 1, 2020 9:48:15 AM