



## **AVANTLED2/SM3**

Vantage CCT 2 Downlight Self-test Emergency



### **Features**

CCT selectable LED performance downlight suitable for commercial and education applications

Deep cut-off angle for glare control and comfort

One product provides 3000K,4000K and 6500K colour temperature options

Downlight design allows installation into existing hole cut-outs from 68mm to 100mm

Powered by Tridonic

## General Information

---

**Lamp Type** LED

---

**Colour / Finish** White

---

**Emergency** Yes

---

**Self Test** Yes

---

**Bluetooth Enabled** Yes

---

**IP Rating** IP20

---

**Class Protection** 2

---

**Internal / External** Internal

---

**Surface / Recessed / Suspended** Recessed

---

**Lifetime (Hrs)** L80 60,000h

---

**Warranty (Years)** 5

---

**CE Mark** Yes

---

**Diameter (mm)** 118 mm

---

**Height (mm)** 68 mm

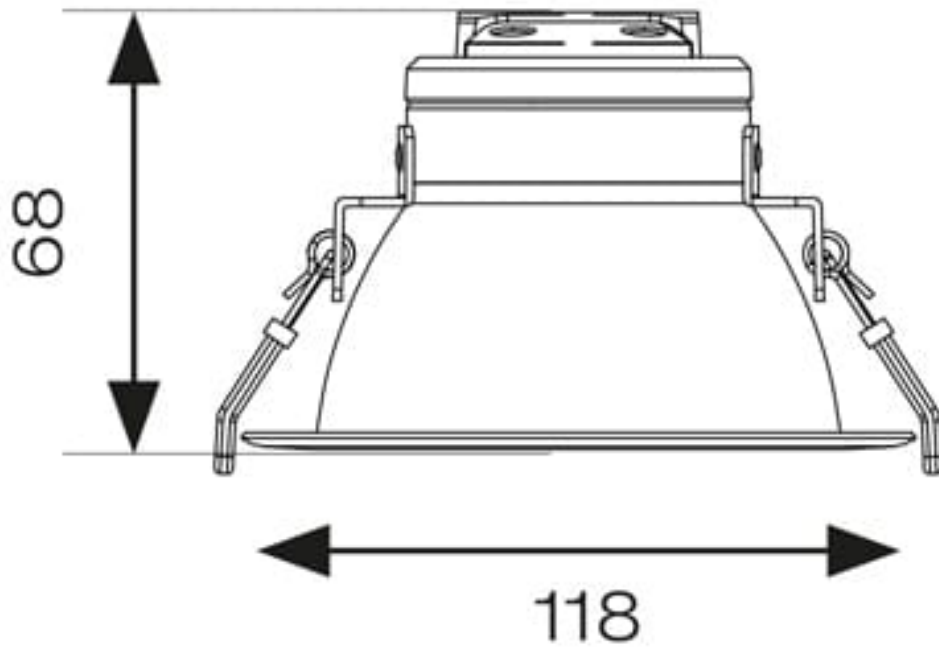
---

# Technical Information

<b>Wattage</b>	14W
<b>Lumens Delivered</b>	1400lm (4000K)
<b>Lm/W</b>	113lm/W (4000K)
<b>Beam Angle</b>	75
<b>CRI</b>	80
<b>CCT</b>	3000/4000/6500K
<b>Input</b>	220/240V
<b>Hertz</b>	50/60Hz
<b>Operating Temp</b>	-25°C to 40°C
<b>SDCM</b>	6
<b>UGR</b>	26

Datasheet generated from <https://onetimepim.com> last updated Thursday, October 13, 2022 10:01:19 PM





AVANTLED2