



AVANTLED1/SM3

Vantage CCT 1 Downlight Self-test Emergency



Features

CCT selectable LED performance downlight suitable for commercial and education applications

Deep cut-off angle for glare control and comfort

One product provides 3000K, 4000K and 6500K colour temperature options

Downlight design allows installation into existing hole cut-outs from 68mm to 100mm

Powered by Tridonic

General Information

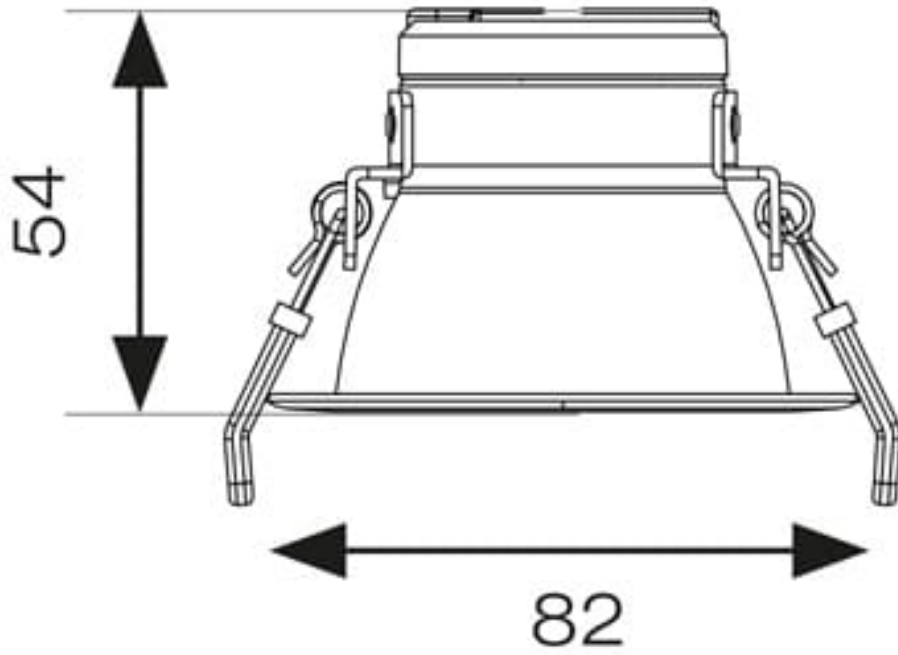
Lamp Type	LED
Colour / Finish	White
Emergency	Yes
Self Test	Yes
IP Rating	IP20
Class Protection	2
Internal / External	Internal
Surface / Recessed / Suspended	Recessed
Lifetime (Hrs)	L80 60,000
Warranty (Years)	5
CE Mark	Yes
Diameter (mm)	82 mm
Height (mm)	54 mm

Technical Information

Wattage	8.5W
Lumens Delivered	740lm (4000K)
Lm/W	107lm/W (4000K)
Beam Angle	75
CRI	80
CCT	3000/4000/6500K
Input	220/240V
Hertz	50/60Hz
Operating Temp	-25°C to 40°C
SDCM	6
UGR	26

Datasheet generated from <https://onetimepim.com> last updated Monday, July 25, 2022 10:26:09 AM





AVANTLED1