



ANZOLED/CCT

Anzo MultiLED CCT Adjustable Downlight 10/13/16W



Features

Ultra-slim adjustable LED downlight

Integral switches for multiple wattages and selectable CCT

Innovative bracket / spring design for variable cutouts from 65-205mm

Pre-wired with 300mm cable

LED lifespan L70 54,000 hours

Non-dimmable

General Information

Lamp Type	LED
Colour / Finish	White
IP Rating	IP20
Class Protection	2
Internal / External	Internal
Surface / Recessed / Suspended	Surface / Recessed
Warranty (Years)	2
CE Mark	Yes
Diameter (mm)	235
Height (mm)	16

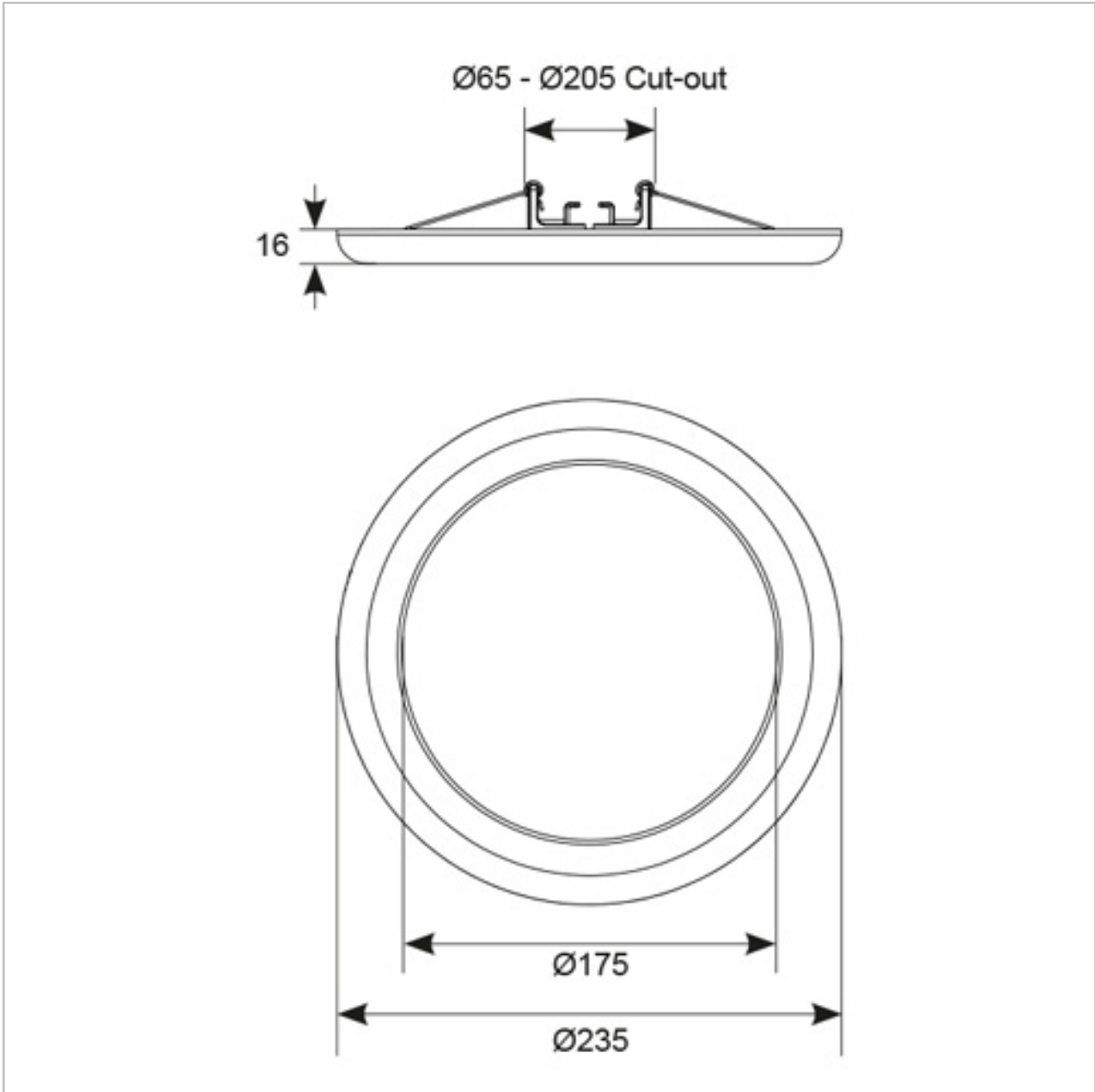
Technical Information

Wattage	10W/13W/16W
Lumens Delivered	1027lm/1309lm/1492lm (3000K, 10W/13W/16W), 1077lm/1409lm/1636lm (4000K, 10W/13W/16W), 1045lm/1351lm/1555lm (6000K, 10W/13W/16W)
Lm/W	103lm/101lm/93lm (3000K, 10W/13W/16W), 108lm/108lm/102lm (4000K, 10W/13W/16W), 105lm/104lm/97lm (6000K, 10W/13W/16W)
CRI	Ra 80
CCT	3000K/4000K/6000K
Input	230V
Hertz	50Hz
Operating Temp	-20°C to 45°C

Technical Data - ETIM - Downlight/spot/floodlight (EC001744)

Suitable for surface mounting	Yes
Suitable for built-in mounting	Yes
Suitable for wall mounting	No
Suitable for suspended mounting	No
Suitable for ceiling mounting	Yes
Suitable for traverse mounting	No
Suitable for pedestal/floor mounting	No
Suitable for light-track mounting	No
Adjustability	Not adjustable
With movement sensor	No
With light sensor	No
With light source	Yes
Suitable for number of lamps	1
Colour housing	White
Nominal voltage	230-230 V
Control gear included	Yes
No dim function	Yes
Degree of protection (IP)	IP20
Protection class	II
Max. system power	16 W
Colour of light	White
Colour temperature	3000-6000 K
Colour rendering index CRI	80-89
Luminous flux	1027-1636 lm
Lamp efficacy	108 lm/W

Height/depth	16 mm
Outer diameter	235 mm



Datasheet generated from <https://onetimepim.com> last updated Tuesday, December 1, 2020 9:47:20 AM