



ATAMLED

Tamar LED 19W Brushed Aluminium



Features

Low glare LED pendant with adjustable 2 metre suspension wires and clutch for ease of installation.

Comparable performance to 42W PLC.

Brushed aluminium body with opaque polycarbonate diffuser.

LED lifespan L70 50,000 hours.

Non-dimmable.

General Information

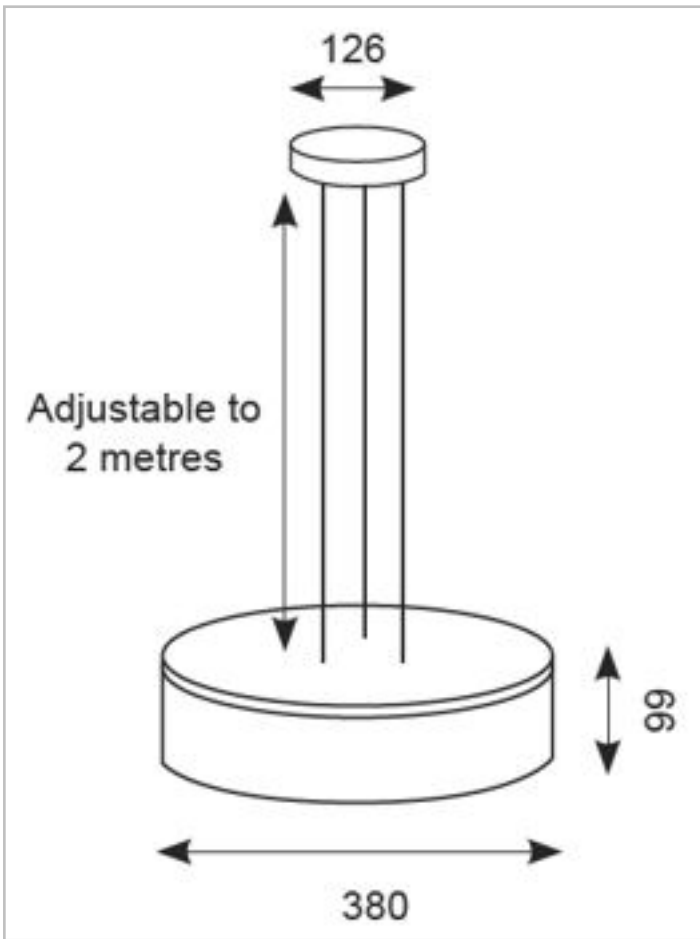
Lamp Type	LED
Colour / Finish	Brushed Aluminium
IP Rating	IP20
Class Protection	1
Internal / External	Internal
Warranty (Years)	2
CE Mark	Yes
Width (mm)	380

Technical Information

Wattage	19W
Lumens Delivered	1066lm
Lm/W	56lm
CRI	Ra 80
CCT	4000K
Input	230V
Hertz	50/60Hz
Operating Temp	-30°C to 50°C

Technical Data - ETIM 6 - Pendant luminaire (EC001743)

With light source	Yes
Suitable for number of lamps	1
Lamp power	19 W
Lamp power at multiwatt	Not applicable
Control gear included	Yes
Type of dimming	Not dimmable
Suitable for emergency lighting	No
Emergency unit integrated	No
Nominal voltage	230-230 V
Suitable for through-wiring	No
Material housing	Aluminium
Colour housing	Aluminium
Suitable for light line configuration	No
Material cover	Plastic, structured
Type of grid	None
Width	380 mm
Suspension supplied with the product	Yes
Pendant length	2000-2000 mm
Protection class	I
Degree of protection (IP)	IP20
Rated luminous flux acc. IEC 62722-2-1	1066 lm
Colour of light	White
Colour temperature	4000-4000 K
Colour rendering index CRI	80-89



Datasheet generated from <https://www.electrika.com> last updated Monday, June 17, 2019 8:32:21 AM