



## **AMRLED1/GR**

IP65 Multiray LED High Bay 105W Graphite



# Features

Compact LED low/high bay for industrial, commercial and retail applications.

IP65 as standard.

Choice of four lumen packages: 9,899lm, 14,964lm, 18,438lm, and 24,148lm.

Pre-wired c/w 3 metres of H07RN-F cable for ease and speed of installation.

IK08 rating.

Suspension hook supplied as standard.

Alternative installation options by means of drop rods or chains/wire.

Optional polycarbonate lens models available for food industry applications.

Die-cast powder coated construction and heatsink for optimum thermals and performance.

Options of textured graphite and white powder coated paint finish.

LED lifespan L70 50,000 hours.

Non-dimmable.

## General Information

<b>Lamp Type</b>	LED
<b>Colour / Finish</b>	Graphite
<b>IP Rating</b>	IP65
<b>Class Protection</b>	1
<b>Internal / External</b>	Internal/External
<b>Surface / Recessed / Suspended</b>	Suspended
<b>Warranty (Years)</b>	5
<b>CE Mark</b>	Yes
<b>Height / Depth</b>	169
<b>Length / Diameter</b>	345
<b>Width</b>	345

## Technical Information

---

<b>Wattage</b>	105W
<b>Lumens Delivered</b>	9899lm
<b>Lm/W</b>	92 Lm/W
<b>CRI</b>	Ra 80
<b>CCT</b>	5400K
<b>Input</b>	230V
<b>Hertz</b>	50/60Hz
<b>Operating Temp</b>	-20°C to 40°C

---



## Technical Data - ETIM 6 - High bay luminaire (EC001716)

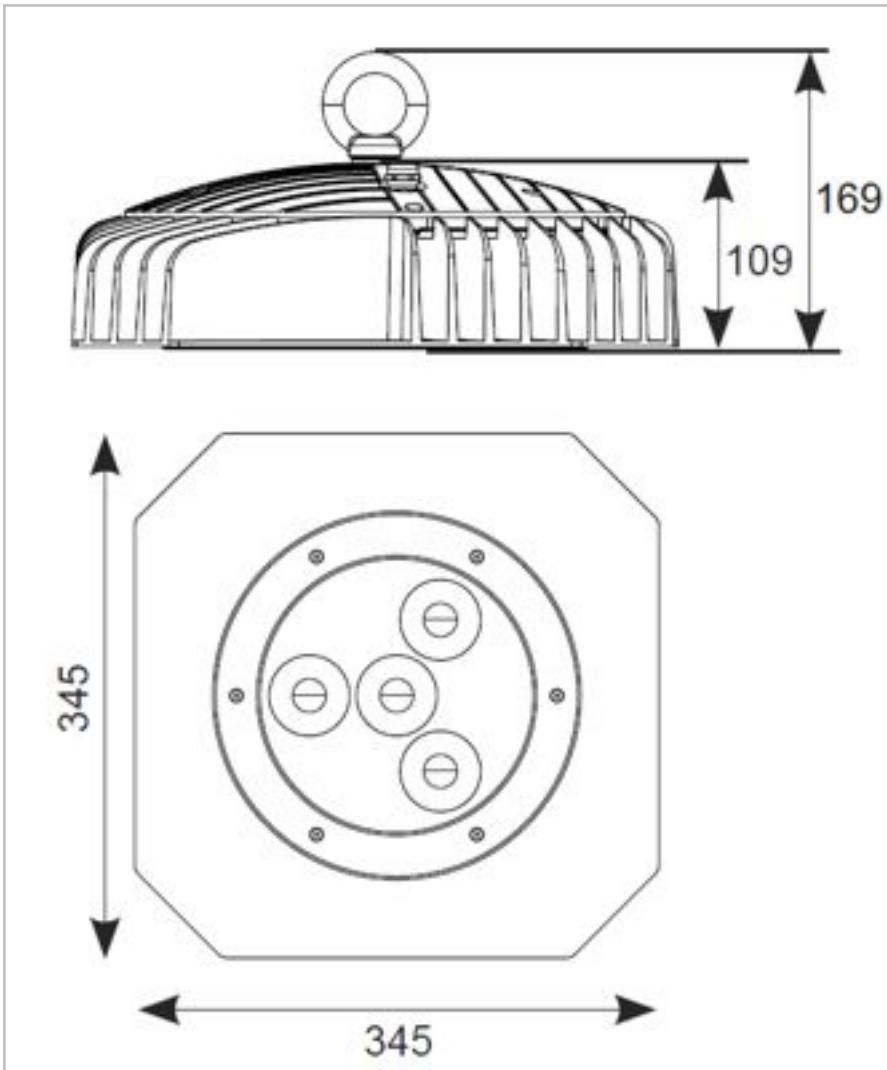
Mounting method	Pendant
With light source	Yes
Colour housing	Other
Suitable for number of lamps	1
Voltage type	AC
Nominal voltage	230-230 V
Control gear included	Yes
Type of dimming	Not dimmable
Degree of protection (IP)	IP65
Impact strength	IK08
Protection class	I
Rated luminous flux acc. IEC 62722-2-1	9899 lm
Colour of light	White
Colour temperature	5400-5400 K
Colour rendering index CRI	80-89
Length	345 mm
Width	345 mm
Lamp power	105 W
Lamp power at multiwatt	Not applicable
Suitable for emergency lighting	No
Emergency unit integrated	No
Type of grid	None
Reflector	None
Light sharing	Symmetric/asymmetric
Height/depth	169 mm

With protective cover

No

Material reflector

Without reflector



Datasheet generated from <http://www.electrika.com> last updated Thursday, December 7, 2017 12:00:15 PM