

CFP Economy 8 Zone Conventional Fire Alarm Panel

Part No. **CFP708E-4**



Overview

LPCB certified to EN54-2/4, C-TEC's CFP 8zone economy fire alarm panel offers an array of user and installer-friendly features at a very competitive price.

Supplied in an attractive flush or surface mountable plastic enclosure, it includes eight detector zones, four conventional sounder circuits, class change and alert inputs, four open collector outputs (fire, fault, reset and remote) and combined keypad/keyswitch entry.

Unlike our Standard CFP fire panel, the CFP708E-2 is NOT compatible with CFP repeaters, relay expansion boards or EN54-13 interface cards. It also has limited engineering functions.

More Information

Third-party certified to EN54 parts 2 and 4 by the Loss Prevention Certification Board (LPCB)

Intuitive user-friendly interface with colour-coded buttons and combined keypad/keyswitch entry

Manufactured by C-TEC in the UK

Eight detector zone circuits

Four conventional sounder circuits

Integral 15A EN54-4/A2 compliant switch mode PSU

Wide range of test and fault-finding facilities

Four open-collector outputs (Fire, Fault, Remote and Reset)

'Class change' and alert inputs

Installer-friendly design

Attractive flush or surface mountable plastic lid and enclosure - no bezel required

Low 25mA quiescent current

Multiple indicators

No system expansion connections

Fully compatible with C-TEC's ActiV range of conventional fire detectors



Technical Specifications

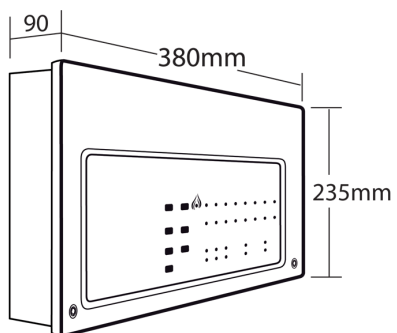
Approvals/certifications	Certified to EN54-2/4 by the LPCB (176b) / (0832-CPR-F0576).
Mains supply	230V 50/60Hz.
Mains rated current	350mA maximum.
Internal power supply	19V-28.5V (27V nominal). Ripple 7V maximum (battery fault).
Total output current limited to	1.5A @ 230Vac (ImaxA eq 146mA).
Quiescent current	25mA (mains failed, internal sounder active, PSU & gen fault LED lit).
Alarm voltage	27V max, 20V min (final battery voltage).
Max battery size and type	2 x 12V 3.2Ah VRLA connected in series. Min. battery size 1.2Ah.
No. of detector zone circuits	8 (Max. length per circuit is 500m).
Call point resistor value	470 to 680.
Max. devices per detector zone	25 detectors (or 32 detectors/manual call points combined).
No. of conventional sounder circuits	4 (Max. length per circuit is 500m).
EOL resistor value	6800 5% Tol. 0/25W (blue, grey, red, gold).
Max. sounder output current	4 x 200mA (800mA total).
Auxiliary relays	None.
Open collector outputs	Four: (1) Aux. Fire; (2) Fault; (3) Reset (Active during reset cycle); (4) Remote (Active during any unsilenced fire condition provided all relevant delays have expired). Max. sink current 30mA, Max. open circuit voltage 27Vdc).
Other outputs	24V Aux. Power (Protected by a resettable fuse. 100mA min. hold current. Resets when fault removed).
Auxiliary inputs	Two: (1) 'Class Change' (constant sounders); (2) Alert (pulsed sounders). Connect to 0V to trigger, Max. input voltage 27V (non-latching).
Engineer (AL3) functions	Invoke One Man Walk Test; Program sounders to resound (or not resound) when a new zone enters alarm; Enter fault diagnostic facilities.
Expansion connections	None. The CFP Economy panel CAN NOT be extended with CFP repeaters, relay cards or EN54-13 interface boards.
Product dimensions (mm)	380 W x 235 H x D 96mm.
Construction & finish	Plastic lid and base; RAL7035 textured.
IP Rating	IP30.
Weight	1.75kg (without batteries).
Operating conditions/temperature	-5°C to +40°C. Max relative humidity: 95%.



T 01942 322744 E sales@c-tec.co.uk
F 01942 829867 W www.c-tec.com



C-TEC, Challenge Way, Martland Park, Wigan, WN5 0LD United Kingdom



T 01942 322744 E sales@c-tec.co.uk
F 01942 829867 W www.c-tec.com



C-TEC, Challenge Way, Martland Park, Wigan, WN5 0LD United Kingdom