



FTYPE™
COMPACT
LED DOWNLIGHTS

LUCECO

FTYPE™

COMPACT

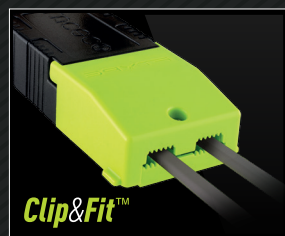
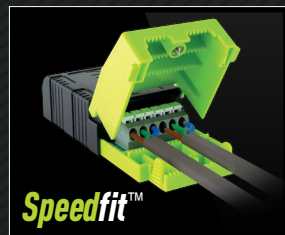


THE NEW COMPACT RANGE OF LED DOWNLIGHTS FROM LUCECO



This NEW range delivers all the premium benefits and high 100Lm/W performance of the original FTYPE in a smaller, more versatile unit, specifically designed for shallow ceiling voids.

Using the very latest Samsung LED chips and LED technology to ensure exceptional functionality and high performance, all built into a new easy-fit compact housing.



CrystallineOptics™

Wide 60° baffled back lens delivers crystal clear low glare illumination



LOW PROFILE

Ideal for shallow or obstructed ceiling voids



VIDEO

Promotional Video ▶

eFIXX Product Overview ▶

Available in a range of wattages and colour temperatures, up to 100 lumens per watt for any installation.

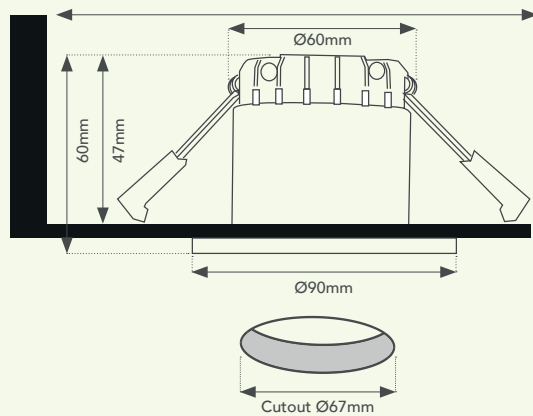


FIRE RATED LED
REGRESSED

COMPACT DOWNLIGHT

- LED
- IP65 Weather Proof
- 25,000 Hours Life
- Dimmable
- 75mm Cutout
- 5 Year Warranty

Specifically designed for low void ceilings, the latest addition to the FType family combines the premium features with a versatile ultra slimline fitting. Insulation coverable and offering 4W & 6W variations.



- Super efficient Samsung LED chips - Latest technology, maximum reliability
- Clip&Fit - Cable clamp housing for quick and easy installation
- Speedfit - Loop in/out push fit terminals
- Interchangeable Bezel Accessories - Range of colour finishes

Interchangeable bezel finishes available



PRODUCT NO.	COLOUR TEMPERATURE	WATTAGE (W)	LUMINAIRE LUMENS	BEAM ANGLE (DEGREES)
EFCB40W27	2700K	4W	400lm	60°
EFCB40W40	4000K	4W	400lm	60°
EFCB60W27	2700K	6W	600lm	60°
EFCB60W40	4000K	6W	600lm	60°

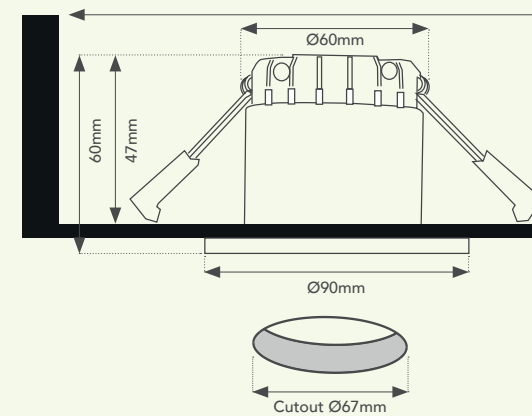


FIRE RATED LED
FLAT

COMPACT DOWNLIGHT

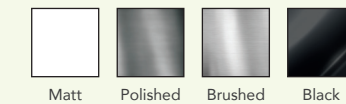
- LED
- IP65 Weather Proof
- 25,000 Hours Life
- Dimmable
- 75mm Cutout
- 5 Year Warranty

Specifically designed for low void ceilings, the latest addition to the FType family combines the premium features with a versatile ultra slimline fitting. Insulation coverable and offering 4W & 6W variations.



- Super efficient Samsung LED chips - Latest technology, maximum reliability
- Clip&Fit - Cable clamp housing for quick and easy installation
- Speedfit - Loop in/out push fit terminals
- Interchangeable Bezel Accessories - Range of colour finishes

Interchangeable bezel finishes available



PRODUCT NO.	COLOUR TEMPERATURE	WATTAGE (W)	LUMINAIRE LUMENS	BEAM ANGLE (DEGREES)
EFCF40W30	3000K	4W	400lm	60°
EFCF40W40	4000K	4W	400lm	60°
EFCF60W30	3000K	6W	600lm	60°
EFCF60W40	4000K	6W	600lm	60°

ACCESSORIES
BEZELS

COMPACT DOWNLIGHT



Interchangeable regressed and flat bezels are available in a range of colour finishes to suit any room decoration including matching with existing light switches and wall sockets. Bezels can be removed by simply twisting on and off.

REGRESSED

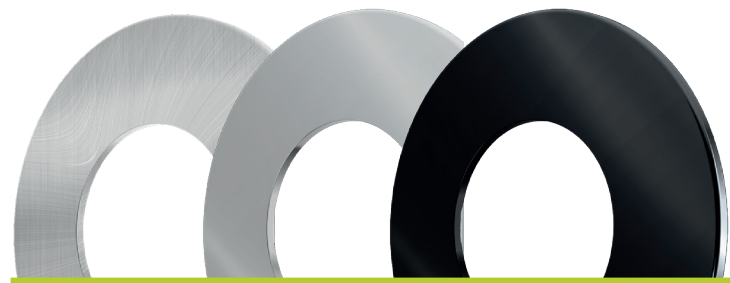


EFCBBZBS
Brushed Steel

EFCBBZPC
Polished Chrome

EFCBBZBN
Black Nickel

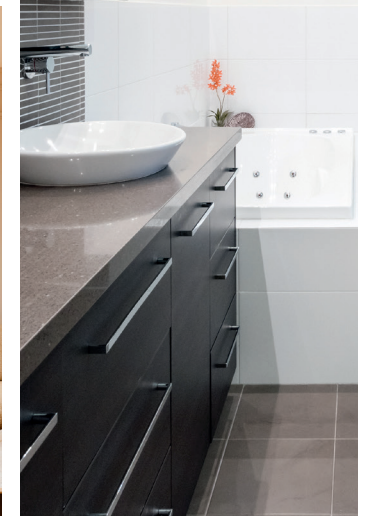
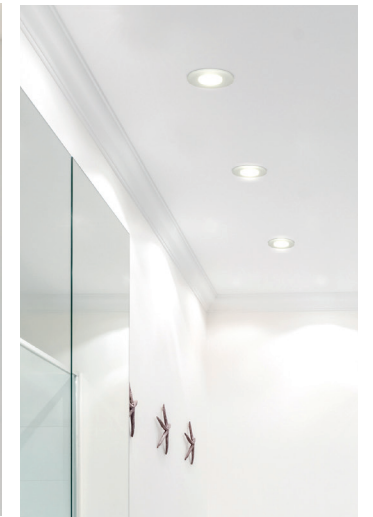
FLAT



EFCFBZBS
Brushed Steel

EFCFBZPC
Polished Chrome

EFCFBZBN
Black Nickel



UK:

HEAD OFFICE:

Email: info@luceco.com
Luceco plc, Caparo House
103 Baker Street, London
England, W1U 6LN

DISTRIBUTION CENTRE:

Tel: +44 (0) 1952 238 100
Email: uk_sales@luceco.com
Luceco plc
Luceco Distribution Centre
Stafford Park 1, Telford
Shropshire, England, TF3 3BD

GERMANY:

Tel: +49 40 89066 878 - 0
Email: eu_sales@luceco.com
Luceco GmbH
Holstenplatz 20b
22765 Hamburg, Germany

FRANCE:

Tel: +33 (0)1 61 10 10 35
Email: fr_sales@luceco.com
Luceco SAS France & Belux
3 Rue de Courtaulin
Magny Le Hongre 77700
Paris, France

ITALY:

Tel: +39 0434 1696795
Email: it_sales@luceco.com
Luceco Southern Europe,
S.L. Via Amman 10
33170 Pordenone, Italy

SPAIN:

Tel: +34 93 829 55 75
Email: es_sales@luceco.com
Luceco Southern Europe,
S.L. C/ Bobinadora 1 Local 7
08302 Mataró
Barcelona (SPAIN)

MIDDLE EAST:

Tel: +971 4 609 1867
Email: mea_sales@luceco.com
Luceco Middle East FZCO
Bldg. 5EB, Office 342
PO Box 371128, DAFZA
Dubai, UAE

ASIA PACIFIC:

JIAXING:

Tel: +86 (0) 573 8357 0200
Email: asia_sales@luceco.com
No 1438, Jiachuang Road
Xiuzhou Industrial Park, Jiaxing
Zhejiang, China, P.C. 314031

HONG KONG:

Tel: +852 3520 2622
Email: hk_sales@luceco.com
Luceco (Hong Kong) plc
Unit D, 15th Floor MG Tower
133 Hoi Bun Road
Kwun Tong, Kowloon
Hong Kong

MEXICO & LATIN AMERICA:

Tel: + 52 (81) 4737 0765
Email: ventas@luceco.com
Luceco México
Av. Lázaro Cardenas #318 int 201, Col Real
San Agustín, San Pedro Garza García
N.L. México CP 66278
(Torre MX, Piso #2, Oficina 201)

AFRICA:

Tel: +27 11 432 6779
Email: africa_sales@luceco.com
Unit 2, Cedarwood Office Park
Cnr. Western Service and
Mount Lebanon Road, Woodmead
South Africa, 2144

TECHNICAL SUPPORT:

Tel: 0330 0249 279
Email: technical@luceco.com
Lines open Monday to Friday
8.30am to 5pm, with answer
phone service outside these hours.