

## LUXPANEL ECO CIRCULAR

### Product Features

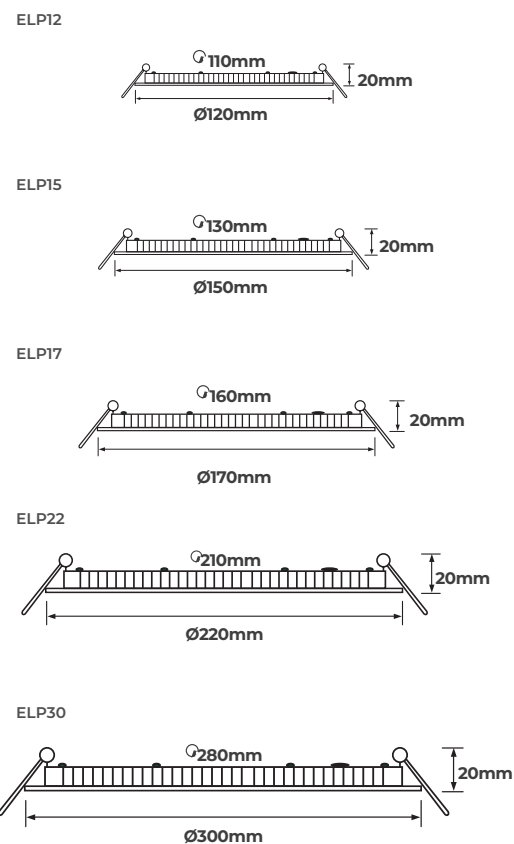
- White aluminium frame with a polycarbonate TPb diffuser and remote driver
- Suitable for plasterboard or suspended ceiling systems
- Slimline design suitable for recessed mounting low ceiling voids



CAT NO.	DRIVER	LUMINAIRE LUMENS	WATTAGE	CCT
ELP12W6L30	Fixed Output	360	6W	3000K
ELP12W6D30	Digital Dimmable	360	6W	3000K
ELP12W6L40	Fixed Output	360	6W	4000K
ELP12W6D40	Digital Dimmable	360	6W	4000K
ELP15W9L30	Fixed Output	630	9W	3000K
ELP15W9D30	Digital Dimmable	630	9W	3000K
ELP15W9L40	Fixed Output	630	9W	4000K
ELP15W9D40	Digital Dimmable	630	9W	4000K
ELP17W12L30	Fixed Output	900	12W	3000K
ELP17W12D30	Digital Dimmable	900	12W	3000K
ELP17W12L40	Fixed Output	900	12W	4000K
ELP17W12D40	Digital Dimmable	900	12W	4000K
ELP22W18L30	Fixed Output	1530	18W	3000K
ELP22W18D30	Digital Dimmable	1530	18W	3000K
ELP22W18L40	Fixed Output	1530	18W	4000K
ELP22W18D40	Digital Dimmable	1530	18W	4000K
ELP30W24L30	Fixed Output	2040	24W	3000K
ELP30W24D30	Digital Dimmable	2040	24W	3000K
ELP30W24L40	Fixed Output	2040	24W	4000K
ELP30W24D40	Digital Dimmable	2040	24W	4000K

PRODUCT OPTIONS	
Remote Emergency Pack	LED3EP80
Self test Remote Emergency Pack	LED3EP80EST
DALI Addressable Emergency Pack	LED3EP80DED

### Product Drawing



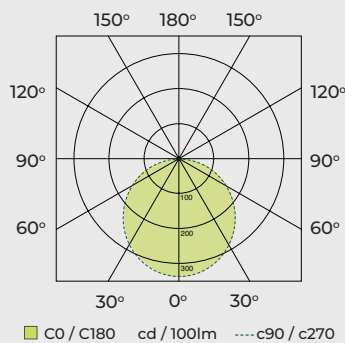
CAT NO.	WEIGHT (kg)	EFFICACY (lm/W)	CRI	FREQUENCY (Hz)	UGR	IK RATING	TEMP RANGE (°C)	AMBIENT TEMP RATED LIFE (°C)	L/B RATED LIFE
ELP12W6L30	0.2	60	>80	50-60	<28	IK04	-20 to +25	25	L70 / B50
ELP12W6D30	0.3	60	>80	50-60	<28	IK04	-20 to +25	25	L70 / B50
ELP12W6L40	0.2	60	>80	50-60	<28	IK04	-20 to +25	25	L70 / B50
ELP12W6D40	0.3	60	>80	50-60	<28	IK04	-20 to +25	25	L70 / B50
ELP15W9L30	0.2	70	>80	50-60	<28	IK04	-20 to +25	25	L70 / B50
ELP15W9D30	0.3	70	>80	50-60	<28	IK04	-20 to +25	25	L70 / B50
ELP15W9L40	0.2	70	>80	50-60	<28	IK04	-20 to +25	25	L70 / B50
ELP15W9D40	0.3	70	>80	50-60	<28	IK04	-20 to +25	25	L70 / B50
ELP17W12L30	0.3	75	>80	50-60	<28	IK04	-20 to +25	25	L70 / B50
ELP17W12D30	0.4	75	>80	50-60	<28	IK04	-20 to +25	25	L70 / B50
ELP17W12L40	0.3	75	>80	50-60	<28	IK04	-20 to +25	25	L70 / B50
ELP17W12D40	0.4	75	>80	50-60	<28	IK04	-20 to +25	25	L70 / B50
ELP22W18L30	0.4	85	>80	50-60	<28	IK04	-20 to +25	25	L70 / B50
ELP22W18D30	0.5	85	>80	50-60	<28	IK04	-20 to +25	25	L70 / B50
ELP22W18L40	0.4	85	>80	50-60	<28	IK04	-20 to +25	25	L70 / B50
ELP22W18D40	0.5	85	>80	50-60	<28	IK04	-20 to +25	25	L70 / B50
ELP30W24L30	0.7	85	>80	50-60	<26	IK04	-20 to +25	25	L70 / B50
ELP30W24D30	0.8	85	>80	50-60	<26	IK04	-20 to +25	25	L70 / B50
ELP30W24L40	0.7	85	>80	50-60	<26	IK04	-20 to +25	25	L70 / B50
ELP30W24D40	0.8	85	>80	50-60	<26	IK04	-20 to +25	25	L70 / B50

### ELP12W6L30

#### Luminaire Performance

Light Output Ratio: 100%  
 Luminaire Efficacy: 60 lm/W  
 Light Distribution: A40 ±99.0% ±1.0%  
 CIE Flux Codes: 46 77 95 99 100  
 UGR 4H 8H  
 (20%, 50%, 70%) C0 / C90: 24.7 / 24.8

#### Luminous Intensity

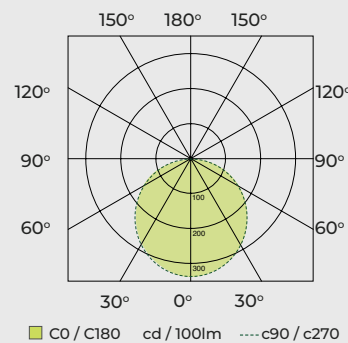


### ELP15W9L30

#### Luminaire Performance

Light Output Ratio: 100%  
 Luminaire Efficacy: 70 lm/W  
 Light Distribution: A40 ±99.0% ±1.0%  
 CIE Flux Codes: 46 78 99 100  
 UGR 4H 8H  
 (20%, 50%, 70%) C0 / C90: 25.0 / 25.2

#### Luminous Intensity

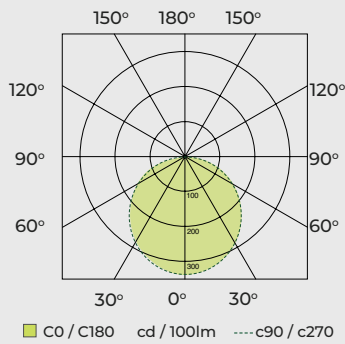


### ELP22W18L30

#### Luminaire Performance

Light Output Ratio: 100%  
 Luminaire Efficacy: 85 lm/W  
 Light Distribution: A40 ±99.0% ±1.0%  
 CIE Flux Codes: 46 78 95 99 100  
 UGR 4H 8H  
 (20%, 50%, 70%) C0 / C90: 25.6 / 25.5

#### Luminous Intensity

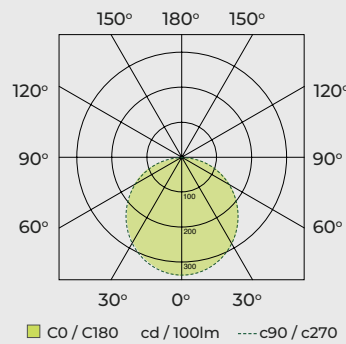


### ELP30W24L30

#### Luminaire Performance

Light Output Ratio: 100%  
 Luminaire Efficacy: 85 lm/W  
 Light Distribution: A40 ±99.0% ±1.0%  
 CIE Flux Codes: 46 78 95 99 100  
 UGR 4H 8H  
 (20%, 50%, 70%) C0 / C90: 24.3 / 24.4

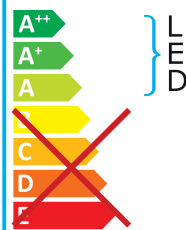
#### Luminous Intensity



### LUCECO



This luminaire contains built-in LED lamps.



LED

The lamps cannot be changed in the luminaire.

874/2012



STANDARD	DESCRIPTION
EN 60598-1	Luminaires – General requirements
EN 60598-2-2	Luminaires – Recessed
EN 60598-2-22	Luminaires – Emergency
EN 61000-3-2	Electromagnetic compatibility (EMC) – Part 3-2: Limits - for harmonic current emissions
EN 61000-3-3	Limits - Limitation of voltage changes, voltage fluctuations and flicker in public low-voltage supply systems, for equipment with rated current ≤ 16 A per phase and not subject to conditional connection
EN 61547	Equipment for general lighting purposes – EMC immunity requirements
EN 55015	Limits and methods of measurement of radio disturbance characteristics of electrical lighting and similar equipment

