

Front

Rear

210mm

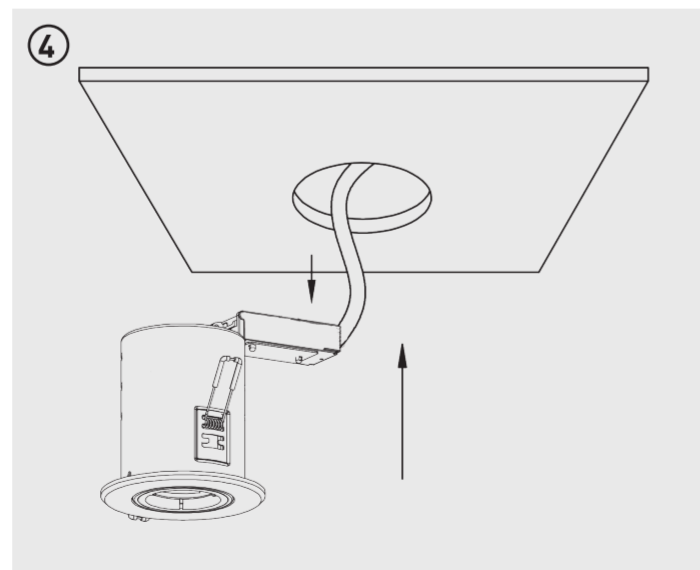
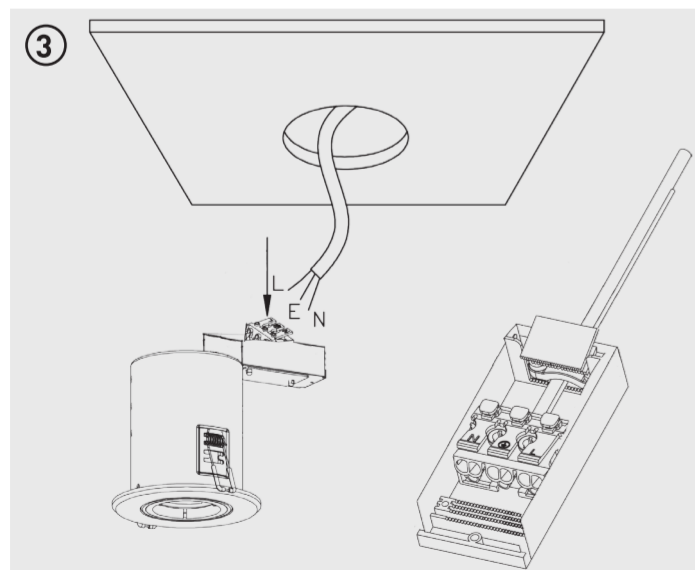
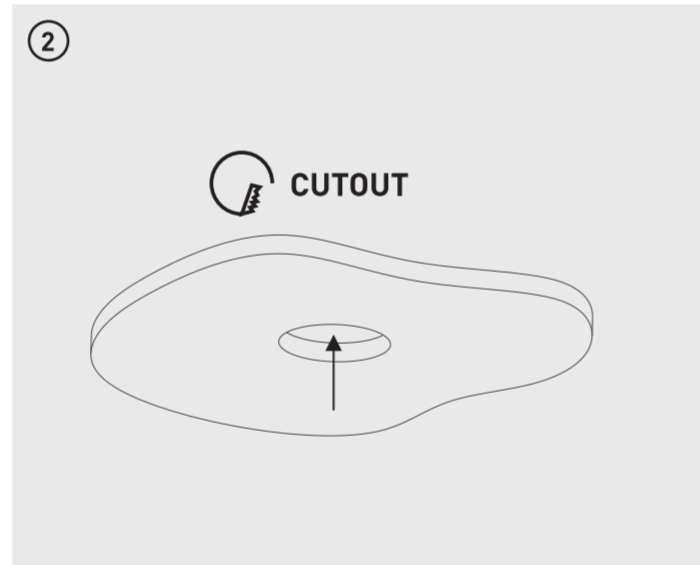
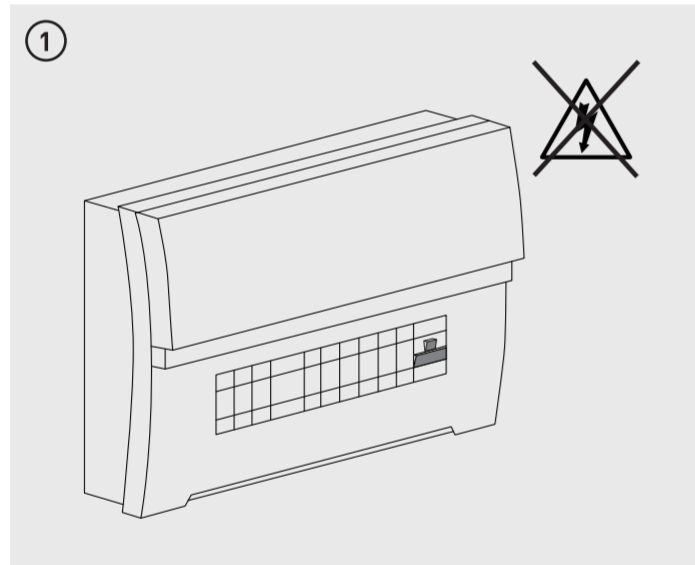
LUCECO

Installation & Operating Instructions

**FIRE RATED
DOWNLIGHT RANGE**



Part Code	Power Source / Frequency	MAXIMUM LAMP WATTAGE	Cutout
EFDGUFWH - Fixed White Downlight	220-240V AC - 50/60Hz	50W	Ø72mm
EFDGUFBS - Fixed Brushed Steel Downlight	220-240V AC - 50/60Hz	50W	Ø72mm
EFDGUFPC - Fixed Polished Chrome Downlight	220-240V AC - 50/60Hz	50W	Ø72mm
EFDGUAWH - Adjustable White Downlight	220-240V AC - 50/60Hz	50W	Ø82mm
EFDGUABS - Adjustable Brushed Steel Downlight	220-240V AC - 50/60Hz	50W	Ø82mm
EFDGUAPC - Adjustable Polished Chrome Downlight	220-240V AC - 50/60Hz	50W	Ø82mm



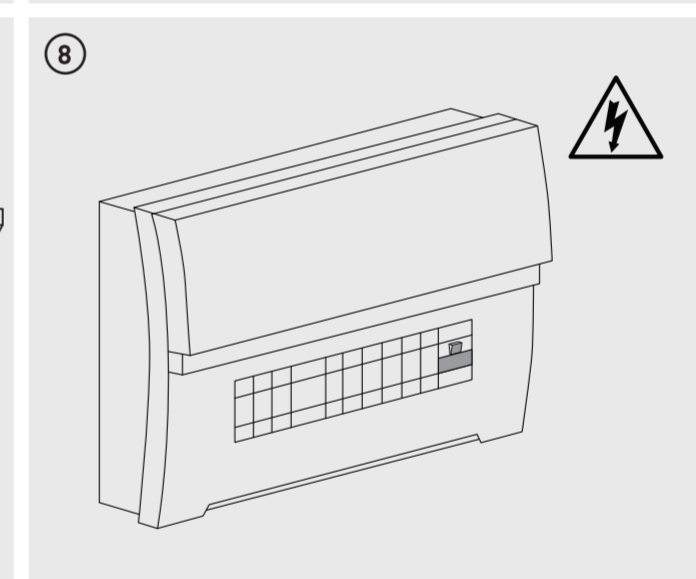
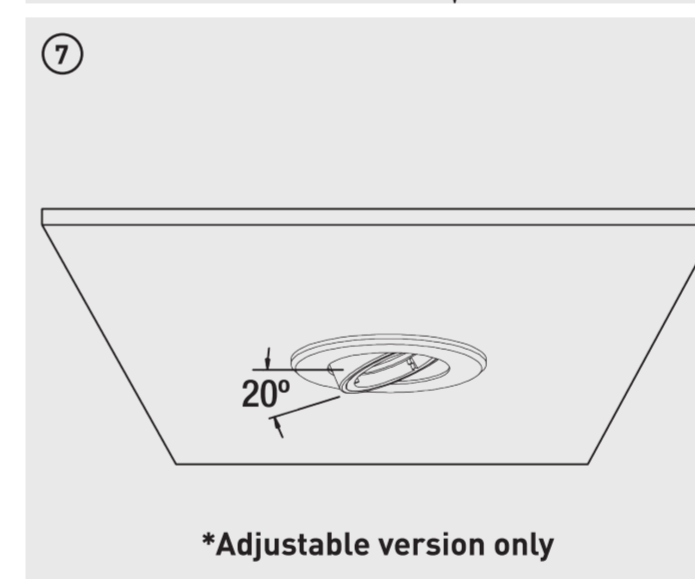
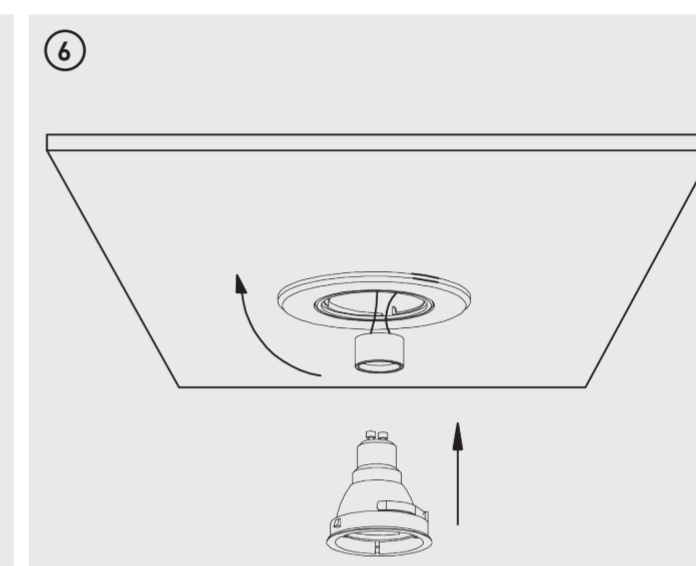
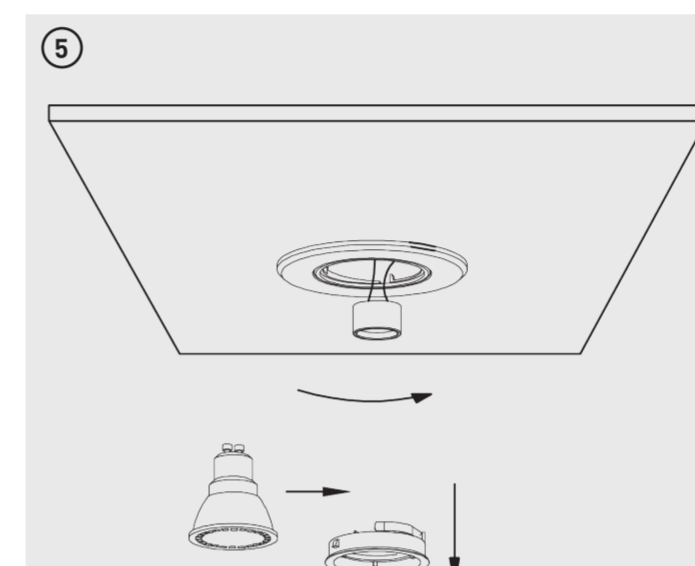
Tech Help Line UK - 0330 0249 279 Non UK - +44 (0)1952 238 100
 Kontakt UK - 0330 0249 279 Non UK - +49 40 89066 878 - 29
 Support Technique UK - 0330 0249 279 Non UK - +33 (0)1 61 10 10 35
 Servicio de asistencia telefónica UK - 0330 0249 279 Non UK - +34 93 576 83 21
 Assistenza tecnica telefonica UK - 0330 0249 279 Non UK - +39 0434 1696795

Visit our website at www.luceco.com Besuchen Sie uns auf www.luceco.de Visitez notre site Web www.luceco.fr Visite nuestra web en www.luceco.com Visitate il nostro sito www.luceco.com

EFD.JH.04.2017

LUCECO

Installation & Operating Instructions



*Adjustable version only

Tech Help Line UK - 0330 0249 279 Non UK - +44 (0)1952 238 100
 Kontakt UK - 0330 0249 279 Non UK - +49 40 89066 878 - 29
 Support Technique UK - 0330 0249 279 Non UK - +33 (0)1 61 10 10 35
 Servicio de asistencia telefónica UK - 0330 0249 279 Non UK - +34 93 576 83 21
 Assistenza tecnica telefonica UK - 0330 0249 279 Non UK - +39 0434 1696795

Visit our website at www.luceco.com Besuchen Sie uns auf www.luceco.de Visitez notre site Web www.luceco.fr Visite nuestra web en www.luceco.com Visitate il nostro sito www.luceco.com

EFD.JH.04.2017

297mm