

ADV Plug for output current select

Resistors for current selection

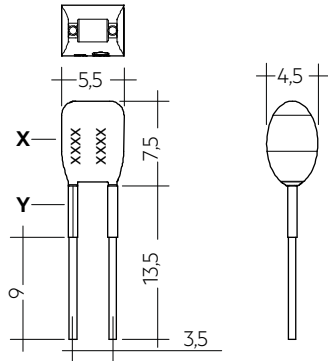
**Product description**

- _ Ready-for-use resistor to set output current value
- _ Compatible with LED Driver serie LC flexC ADV; not compatible with I-SELECT (generation 1) and I-SELECT 2 (generation 2)
- _ Resistor is base insulated
- _ When using your own resistors, make sure the resistor must be isolated
- _ Resistor power 0.25 W
- _ Current tolerance $\pm 2\%$ additional to output current tolerance
- _ Hot plug of the resistor is not permitted
- _ For detailed current setting see table "Specific technical data" of the respective LED Driver and chapter 3.7 or 3.8 Current setting in data sheet

Website<http://www.tridonic.com/28002097>

ADV Plug for output current select

Resistors for current selection

**Ordering data**

Type	Article number	Colour of X area	Colour of Y area	Marking	Resistor value	Packaging, bag	Weight per pc.
ADV Plug Type F YL	28002097	Yellow	Grey	F	30.00 Ω	10 pc(s).	0.001 kg