

### Safety Information

>All electrical work must be undertaken by a qualified contractor to ensure compliance with latest edition BS7671 and IEE/IET wiring regulations.

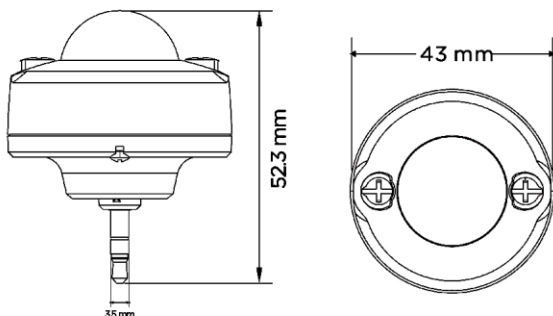
> Before installing the PIR Sensor or doing any maintenance, ensure power supply is turned off at the circuit breaker or fuse box.

> This product is designed for permanent connection to fixed wiring; the circuit should be protected with the appropriate MCB or fuse.

### Environment

>Please DO NOT dispose of electrical items or packaging as unsorted waste. Use the recycling facilities provided by your local authorities.

### PRODUCT DIMENSIONS



All units are in mm

### Important Warranty Information

The PIR Sensor has a 3 year warranty.

To claim, you must provide the product part number and date of manufacture, which can be found on the label attached to the sensor housing along with the original purchase invoice.



theLIA  
MEMBER



Certificate No. FS 571788



Certificate No. EMS 571787

NET LED Ltd.  
Buckingham Business Park  
300 Anderson Road  
Cambridge  
CB24 4UQ  
sales@netled.co.uk  
www.netled.co.uk

Technical Helpline: 01223 851505  
Email: support@netled.co.uk

www.netled.co.uk/downloads

Distributed by



### CORN LAMP PIR SENSOR INSTALLATION GUIDE

### PIR SENSOR NET-53-12-20



### KEY DATA

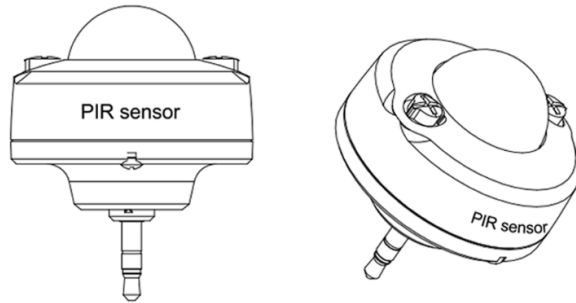
Input Voltage AC	15V DC +-2V
Output Voltage	0-10V
Current	20mA
Detection Range	+/-10m Dia
Detection Angle	120°
Operating Temp.	0°C to +35°C
Illuminance	Maintained 300Lux
Time Options	30S/90S/5min/10min
IP Rating	IP20
Manufacturer	Kingsway Lighting Limited



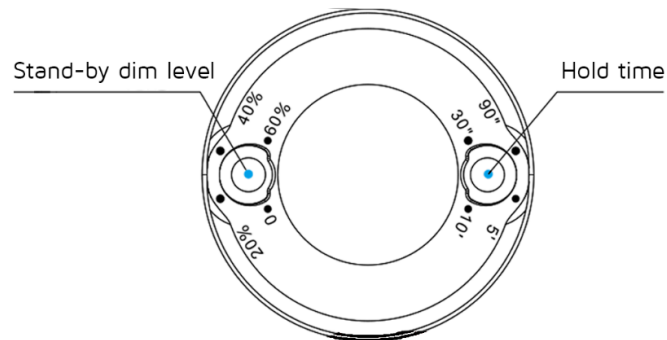
Installation procedure: Carefully read the instructions and ensure the mains supply is isolated before installation. Please follow the safety information overleaf before carrying out any installation. Please retain this leaflet for future reference.

## PIR sensor

— Operation manual —

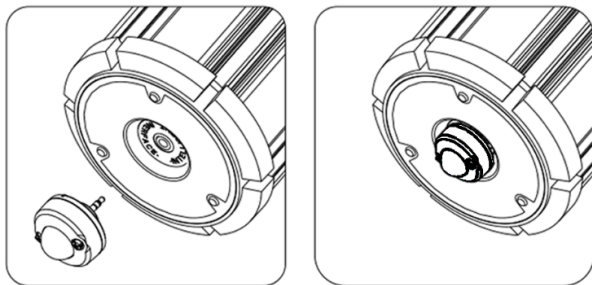


### Brightness/time



Dim level: the brightness output 0 / 20% / 40% / 60%  
Hold time: the hold time for no motion detected

### Plug in the module

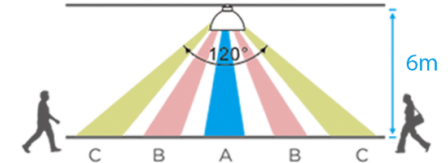


### Ceiling Mount

Top View

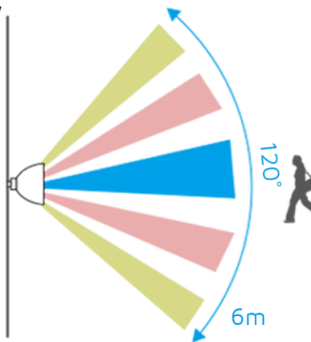


Top View

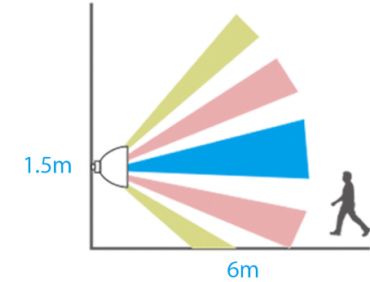


### Wall Mount

Top View



Top View



### ⚠ Caution

1. Operating: 0°~35°C
2. Not suitable for enclosed luminaire
3. One module for one lamp
4. Set the brightness and time before lamp installation.