

Safety Information

>All electrical work must be undertaken by a qualified contractor to ensure compliance with latest edition BS7671 and IEE/IET wiring regulations.

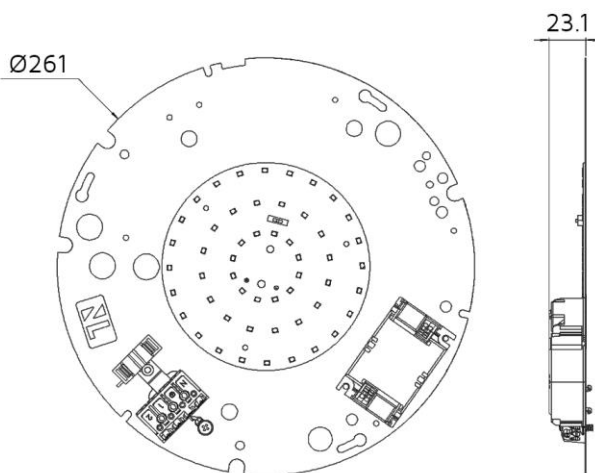
> Before installing a LED Gear Tray or doing any maintenance, ensure power supply is turned off at the circuit breaker or fuse box.

> This product is designed for permanent connection to fixed wiring; the circuit should be protected with the appropriate MCB or fuse.

Environment

>Please DO NOT dispose of electrical items or packaging as unsorted waste. Use the recycling facilities provided by your local authorities.

PRODUCT DIMENSIONS



All units are in mm

Important Warranty Information

The LED Gear Tray has a 3 Year Warranty. The registrant must provide the product part number and date of manufacture, which can be found on the gear tray along with the original purchase invoice. The Battery has a 1 Year Warranty.



Certificate No. FS 571788



Certificate No. EMS 571787

NET LED Ltd.
Buckingway Business Park
300 Anderson Road
Cambridge
CB24 4UQ
sales@netled.co.uk
www.netled.co.uk

Technical Helpline: 01223 851505
Email: support@netled.co.uk

www.netled.co.uk/downloads

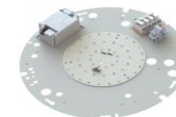
Manufactured by



LED GEAR TRAY INSTALLATION GUIDE

LED GEAR TRAY NET-33-06-XX

KEY DATA



Light Source	LED
Power	16W
Luminous Flux	1785lm / 2084lm / 1901lm
Luminous Efficacy	112lm / 138lm / 121lm
Colour Temperature	3000K / 4000K / 5500K
Colour Rendering	>80 CRI
Manufacturer	NET LED Lighting

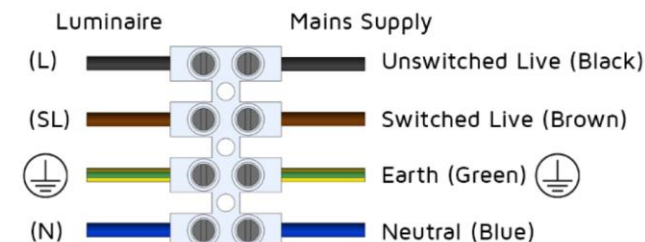
SUPPLY/EARTH CLASS

220-240V AC 50/60 Hz



Class 1

Fig.1 Mains Input Termination



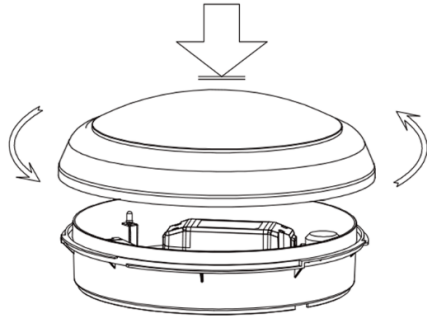
Installation procedure: Carefully read the installation instructions and ensure the mains supply is isolated before installation. Please read the safety information overleaf before carrying out any installation. Please retain this leaflet for future reference.

LED Gear Tray installation:

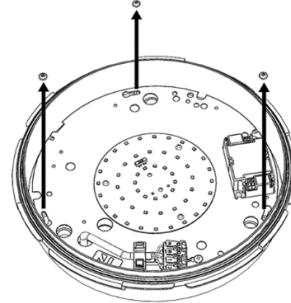
Replaceable light source (LED only) by professional

Replaceable control gear by professional

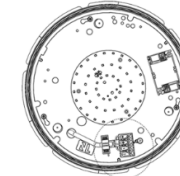
Step 1: Remove the Diffuser from the existing Bulkhead.



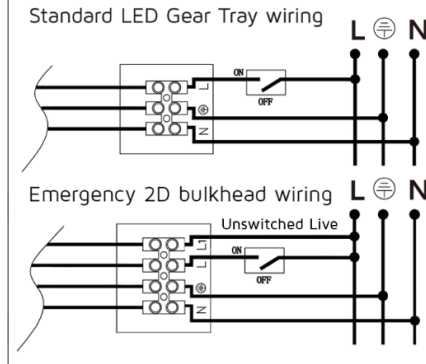
Step 2: Remove the Gear Tray fixing screws. Keep the screws that were used to hold the existing Gear Tray in place.



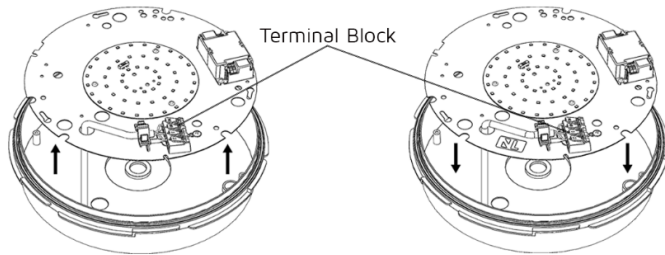
Wiring Diagram 1



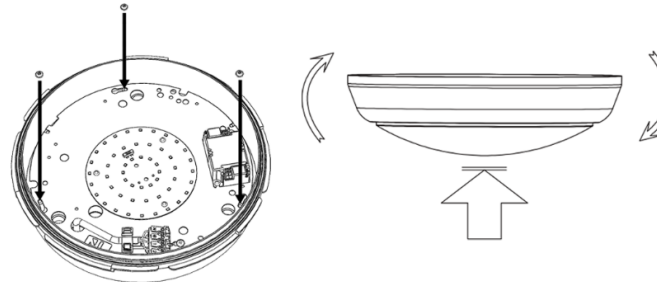
Note: A qualified electrician is required to carry out the electrical wiring. All wiring must be double insulated where there is a possibility of coming in contact with live wires.



Step 3: Remove the Gear Tray from the Bulkhead casing, detach the existing input power wiring from the terminal block. Insert replacement Gear Tray and connect input power wiring to terminal block. Secure power cable.



Step 4: Insert replacement Gear Tray securing screws. Refit the Diffuser and switch on the mains supply to test that Bulkhead functions correctly.



Important Battery Warranty Information

The battery has a 1 Year Warranty. To claim, you must provide the product part number and date of manufacture, which can be found on the label attached to Luminaire housing along with the original purchase invoice.

Microwave Motion Sensor Configuration - These settings are only for the LED Gear Tray with Microwave Sensor option.



Please note: DIP switch in the 'UP' position is ON.

Detection Area			Full Brightness Hold Time			Daylight Sensor			10% Corridor Function Time		
ch1	ON	100%	ch3	ON	5S	ch5	ON	Disable	ch7	ON	Off/OS
ch2	ON		ch4	ON		ch6	ON		ch8	ON	
ch1	-	75%	ch3	-	90S	ch5	-	50Lux	ch7	-	30S
ch2	ON		ch4	ON		ch6	ON		ch8	ON	
ch1	ON	50%	ch3	ON	3min	ch5	ON	15Lux	ch7	ON	10min
ch2	-		ch4	-		ch6	-		ch8	-	
ch1	-	25%	ch3	-	10min	ch5	-	5Lux	ch7	-	Always On/+∞
ch2	-		ch4	-		ch6	-		ch8	-	