

Safety Information

>All electrical work must be undertaken by a qualified contractor to ensure compliance with latest edition BS7671 and IEE/IET wiring regulations.

> Before installing an LED IP65 Bulkhead or doing any maintenance, ensure power supply is turned off at the circuit breaker or fuse box.

> This product is designed for permanent connection to fixed wiring; the circuit should be protected with the appropriate MCB or fuse.

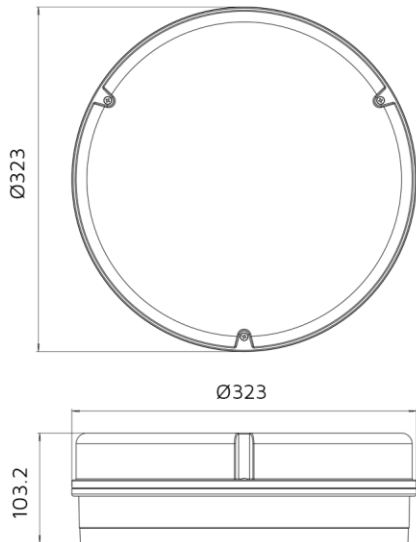
Environment

>Please DO NOT dispose of electrical items or packaging as unsorted waste. Use the recycling facilities provided by your local authorities.

For non-user replaceable light sources

The light source contained in this luminaire shall only be replaced by the manufacturer/service agent or a similar qualified person.

PRODUCT DIMENSIONS



All dimensions are in mm

Important Warranty Information

The LED IP65 Bulkhead has a 3 year warranty. The registrant must provide the product part number and date of manufacture, which can be found on the label attached to the luminaire housing along with the original purchase invoice.



Certificate No. FS 571788



Certificate No. EMS 571787

NET LED Ltd.
Bucknighway Business Park
300 Anderson Road
Cambridge
CB24 4UQ
sales@netled.co.uk
www.netled.co.uk

Technical Helpline: 01223 851505
Email: support@netled.co.uk

www.netled.co.uk/downloads

Distributed by



LED NEWTON
IP65 BULKHEAD

LED NEWTON IP65 BULKHEAD NET-33-06-6X

KEY DATA

Light Source	LED
Power	16W
Luminous Flux (3000K)	1300lm
Luminous Flux (4000K)	1550lm
Luminous Flux (5500K)	1400lm
Luminous Efficacy	90lm/W
Colour Temperature	3000K, 4000K, 5500K
Colour Rendering	>80 CRI
IP Rating	IP65
Manufacturer	NET LED Limited

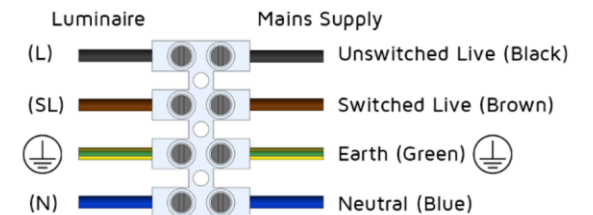
SUPPLY/EARTH CLASS

220-240V AC 50/60 Hz

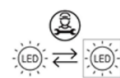


Class I

Fig.1 Mains Input Termination



Installation procedure: Carefully read the instructions and ensure the mains supply is isolated before installation. Please follow the safety information overleaf before carrying out any installation. Please retain this leaflet for future reference.

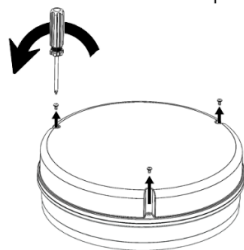


Replaceable (LED only) light source by a professional

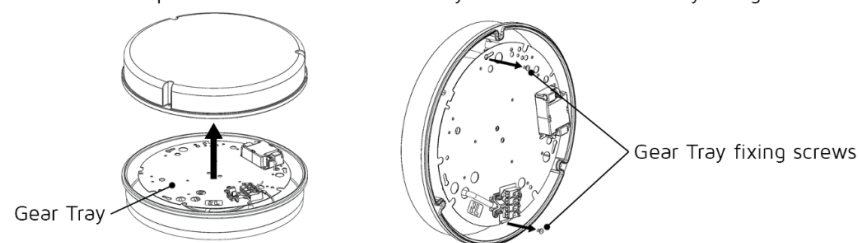


Replaceable control gear by a professional

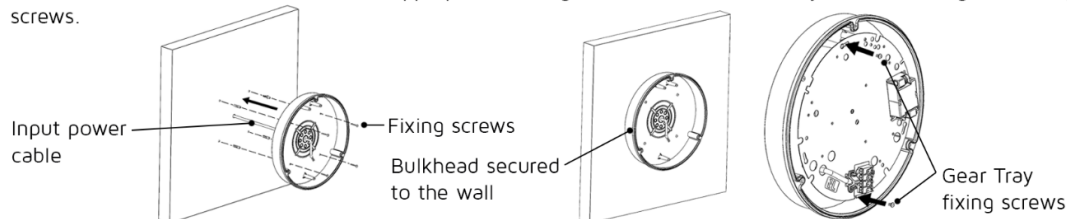
Step 1: Loosen the 3x screws to remove the top cover.



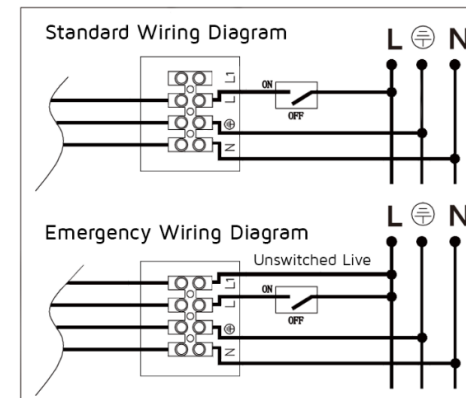
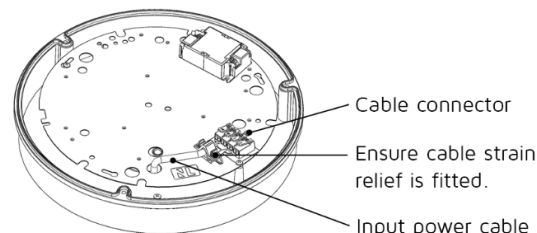
Step 2: Remove the top cover to reveal the Gear Tray. Remove the Gear Tray fixing screws and Gear Tray.



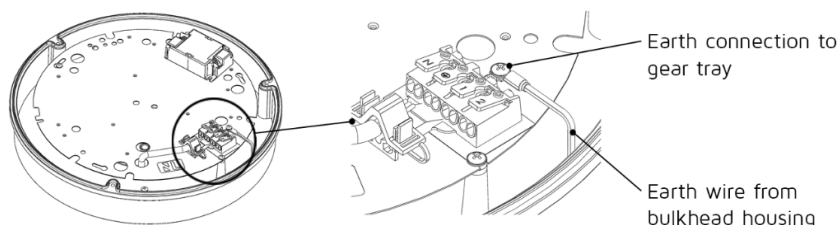
Step 3: Feed input power cable through a hole in the wall, then insert cable into the Bulkhead via the cable hole. Attach Bulkhead to wall with the appropriate fixing screws. Secure Gear Tray to the housing with fixing screws.



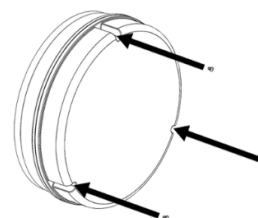
Step 4: Connect input power cable to cable connector. Wire the connector as per the wiring diagram below.



Step 5: Attach Earth connection to Gear Tray.



Step 6: Fit the top cover to the body and secure with screws provided.



Important Battery Warranty information

The Battery has a 1 Year Warranty. To claim, you must provide the product part number and date of manufacture, which can be found on the label attached to the Luminaire housing along with the original purchase invoice.

Microwave Motion Sensor Configuration - These settings are only for the Bulkheads with Microwave Motion Sensor option.



Please note: DIP switch in the 'UP' position is ON.

Detection Area			Full Brightness Hold Time			Daylight Sensor			10% Corridor Function Time		
ch1	ON	100%	ch3	ON	5S	ch5	ON	Disable	ch7	ON	Off/OS
ch2	ON		ch4	ON		ch6	ON		ch8	ON	
ch1	-	75%	ch3	-	90S	ch5	-	50Lux	ch7	-	30S
ch2	ON		ch4	ON		ch6	ON		ch8	ON	
ch1	ON	50%	ch3	ON	3min	ch5	ON	15Lux	ch7	ON	10min
ch2	-		ch4	-		ch6	-		ch8	-	
ch1	-	25%	ch3	-	10min	ch5	-	5Lux	ch7	-	Always On/+∞
ch2	-		ch4	-		ch6	-		ch8	-	

Default Set Up On Delivery