

Safety Information

>All electrical work must be undertaken by a qualified contractor to ensure compliance with latest edition BS 7671 and IEE/IET wiring regulations.

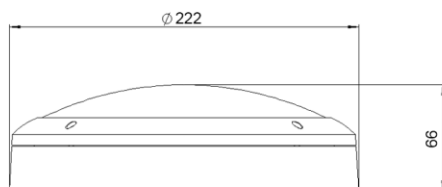
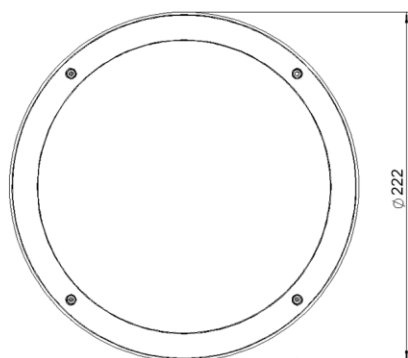
> Before installing a LED IP65 Bulkhead or doing any maintenance, ensure power supply is turned off at the circuit breaker or fuse box.

> This product is designed for permanent connection to fixed wiring; the circuit should be protected with the appropriate MCB of fuse.

Environment

> Please Do NOT dispose of electrical items or packaging as unsorted waste, use the recycling facilities provided by your local authorities.

PRODUCT DIMENSIONS



Important Warranty Information

The LED IP65 Bulkhead has a 3 year warranty. To claim you must provide the product part number and date of manufacture, which can be found on the label attached to the luminaire housing along with the original purchase invoice.



Certificate No. FS 571788



Certificate No. EMS 571787

NET LED Ltd.
Buckingway Business Park
300 Anderson Road
Cambridge
CB24 4UQ
sales@netled.co.uk
www.netled.co.uk

Technical Helpline: 01223 851505
Email: support@netled.co.uk

Drawing No: NET-11-06-IG_V2
www.netled.co.uk/downloads

Distributed by



LED MINI NEWTON IP65 BULKHEAD NET-11-06-91

KEY DATA

Light Source	LED
Power	12w
Luminous Flux	>960lm
Luminous Efficacy	80lm/W
Colour Temperature	3000K, 4000K, 5500K
Colour Rendering	>80 CRI
IP Rating	IP65
Manufacturer	Toppo Lighting

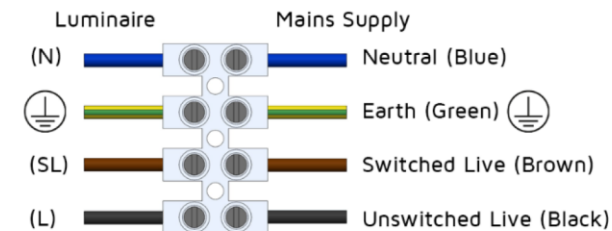
SUPPLY/EARTH CLASS

220-240V AC 50/60 Hz

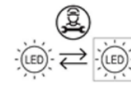
Fig.1 Mains Input Termination



Class I



Installation procedure: Carefully read the installation instructions and ensure the mains supply is isolated before installation. Please follow the safety information on the overleaf before carrying out any installation. Please retain this leaflet for future reference.



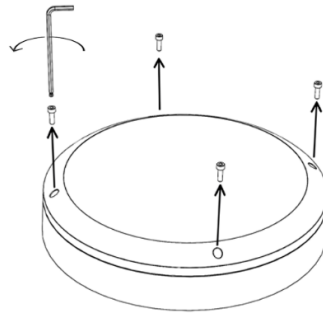
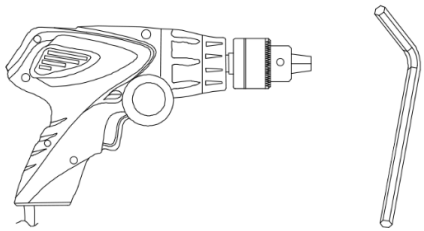
Replaceable (LED only) light source by a professional



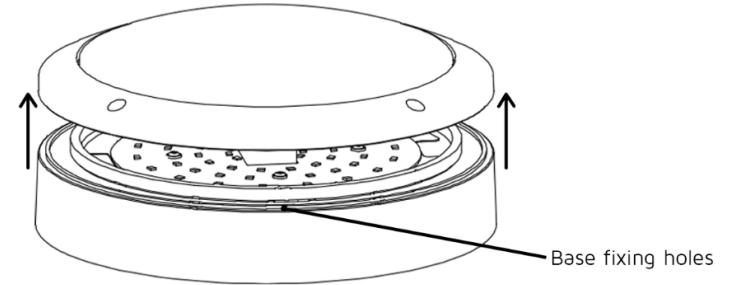
Replaceable control gear by a professional

Step 1: Loosen the front cover screws, then remove the cover.

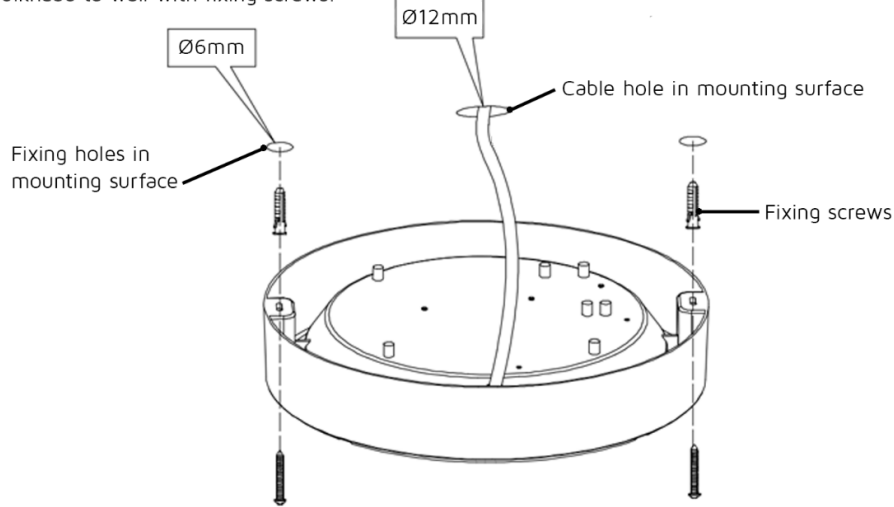
Tools Needed:



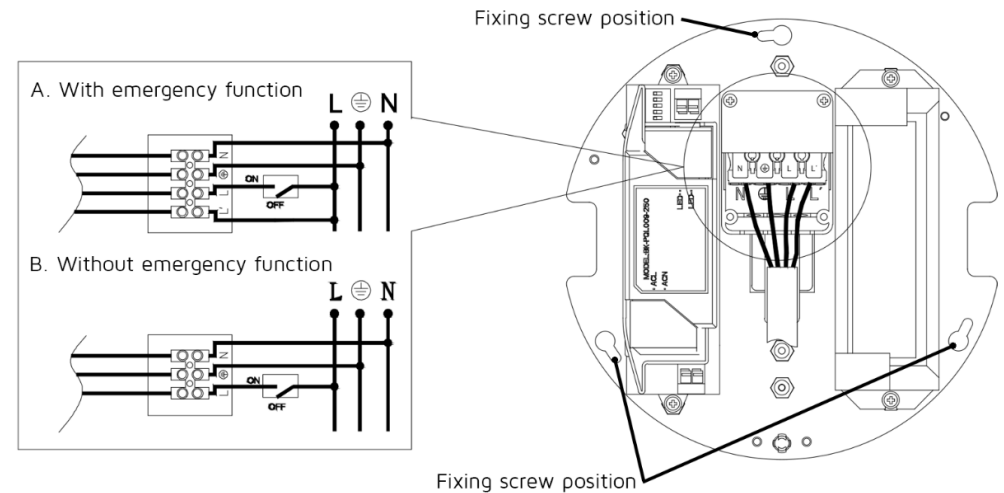
Step 2: Remove the top cover to reveal the base fixing holes.



Step 3: Feed input power cable through a hole in the wall, then insert cable into the Bulkhead via the cable hole. Attach Bulkhead to wall with fixing screws.



Step 4: Loosen the gear tray fixing screws (x3). Connect input power cable to cable connector. Wire the connector as per the wiring diagram below.



Step 5: Fix the cover to the body with the screws provided.

