

Safety Information

>All electrical work must be undertaken by a qualified contractor to ensure compliance with latest edition BS 7671 and IEE/IET wiring regulations.

>Before installing a Hatley Wall Light or doing any maintenance, ensure power supply is turned off at the circuit breaker or fuse box.

>This product is designed for permanent connection to fixed wiring; the circuit should be protected with the appropriate MCB or fuse.

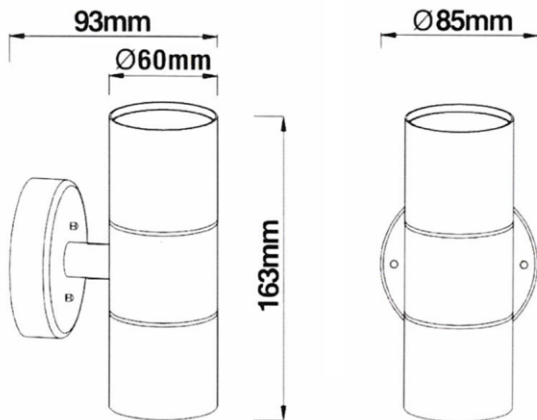
Environment

>Please DO NOT dispose of electrical items or packaging as unsorted waste, use the recycling facilities provided by your local authorities.

Replaceable light source

>The light source of this luminaire is replaceable. When the light source reaches its end of life it can be replaced.

PRODUCT DIMENSIONS



All units are in mm

Important Warranty Information

The Hatley Wall Light has a 3 year warranty. The registrant must provide the product part number and date of manufacture, which can be found on the label attached to the luminaire housing.



NET LED Ltd.
Buckingway Business Park
300 Anderson Road
Cambridge
CB24 4UQ
sales@netled.co.uk
www.netled.co.uk

Technical Helpline: 01223 851505
Email: support@netled.co.uk

www.netled.co.uk/downloads

Distributed by



HATLEY WALL LIGHT INSTALLATION GUIDE

NET-53-01-01 (SILVER)
NET-53-01-03 (BLACK)

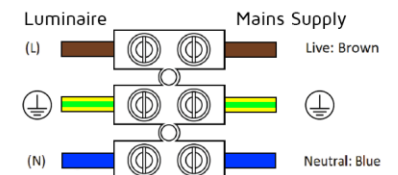
KEY DATA



Voltage	230V AC
Light Source	GU10 LED
Max Power	2x 5W LED
Dimensions	85mm x 93mm x 163mm
Housing Material	Stainless Steel
Diffuser	Tempered Glass
IP Rating	IP54
Manufacturer	Kingsway Lighting Limited

SUPPLY/EARTH CLASS

Luminaire
230V AC 50/60Hz
Fig.1 Mains Input Termination

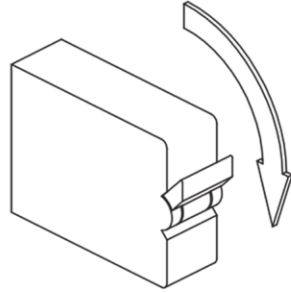


Installation procedure: Carefully read the installation instructions and ensure the mains supply is isolated before installation. Please follow the safety information overleaf before carrying out any installation. Please retain this leaflet for future reference.

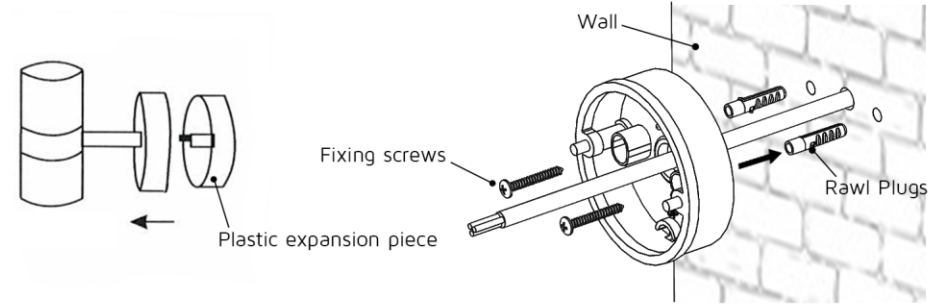
Wall Light Installation:



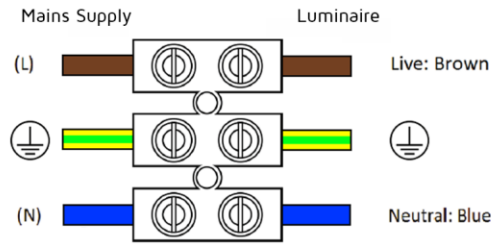
Step 1: Isolate the mains power supply before connecting. Unpack the luminaire and check that you have all the tools to install the luminaire safely and in compliance with current electrical standards. Ensure there are no obstructions or services in the way.



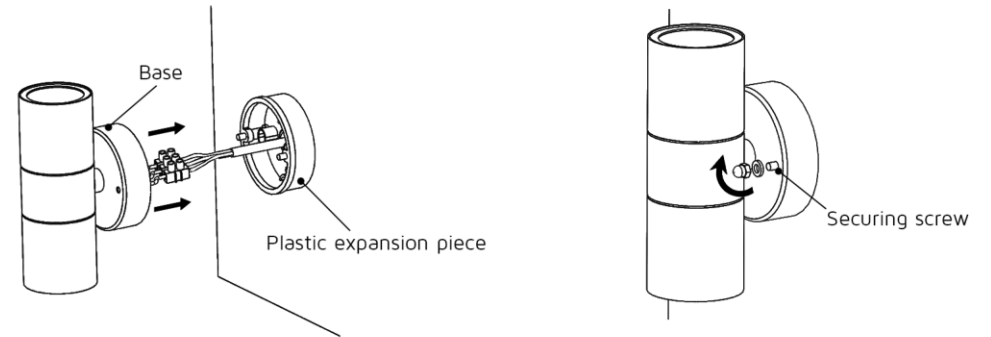
Step 2: Remove the plastic expansion piece. Feed mains wire through wall and into expansion piece. Secure expansion piece to wall with two self-taping screws, ensuring direction of up arrow on expansion piece.



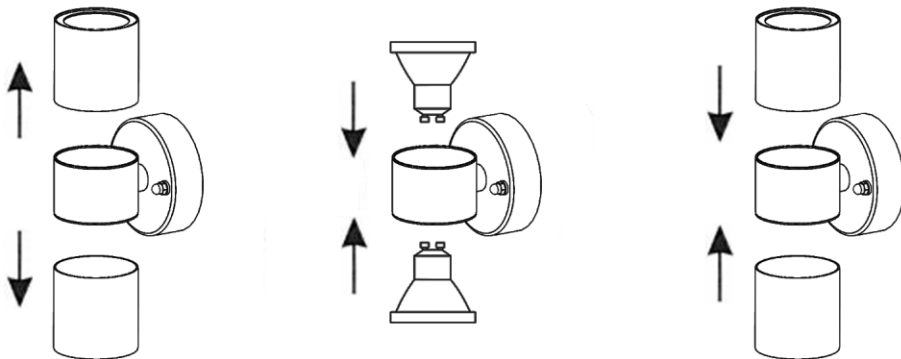
Step 3: Connect 230Vac mains supply wires to terminal block, making sure all connections are tight. When connecting the cable to power supply, ensure the correct polarity is observed.



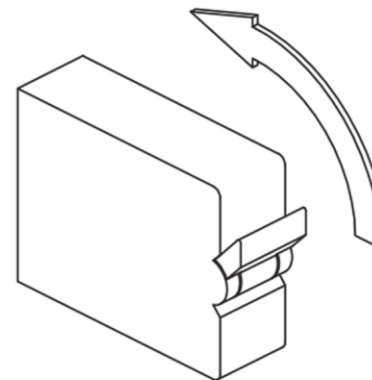
Step 4: Fit fitting base onto base expansion piece and secure with screws.



Step 5: Unscrew the upper and lower lamp covers, install a new GU10 lamp into lampholder. Close lamp covers and ensure covers are secure. The lamps must not exceed wattage specified.



Step 6: Restore mains power and check illumination.



Directions to change lamps:

- Turn off the power.
- Open the upper or lower lamp cover. Don't touch lamps with bare hands.
- After lamp has cooled, twist out the lamp slightly.
- When installing lamp, please twist lamp into socket carefully.
- Before turning on the power, please ensure to assemble the upper and lower lamp covers correctly.