

Safety Information

>All electrical work must be undertaken by a qualified contractor to ensure compliance with latest edition BS7671 and IEE/IET wiring regulations.

> Before installing a Hilton Low Bay or doing any maintenance, ensure power supply is turned off at the circuit breaker or fuse box.

> This product is designed for permanent connection to fixed wiring; the circuit should be protected with the appropriate MCB or fuse.

Environment

>Please DO NOT dispose of electrical items or packaging as unsorted waste. Use the recycling facilities provided by your local authorities.

Non-replaceable light source

>The light source of this luminaire is not replaceable. When the light source reaches its end of life the whole luminaire shall be replaced.

PRODUCT DIMENSIONS



All units are in mm

| Low Bay | A | B | C | D |
|---------|-----|-----|------|----|
| 120W | 600 | 320 | 52.5 | 98 |

With Emergency kit fitted

Important Warranty Information

The LED High Bay has a 3 year warranty, which can be extended free of charge to 5 years by registering online via the website address below. The registrant must provide the product part number and date of manufacture, which can be found on the label attached to the luminaire housing.



Certificate No. FS 571788



Certificate No. EMS 571787

NET LED Ltd.
Buckingway Business Park
300 Anderson Road
Cambridge
CB24 4UQ
sales@netled.co.uk
www.netled.co.uk

Technical Helpline: 01223 851505
Email: support@netled.co.uk

www.netled.co.uk/downloads

Distributed by



LED LOW BAY INSTALLATION GUIDE

LED LOW BAY NET-51-12-XX

KEY DATA

| | |
|--------------------|-----------------|
| Light Source | LED |
| Power | 120W |
| Luminous Flux | 16000lm |
| Luminous Efficacy | >130lm/W |
| Colour Temperature | 4000K |
| Colour Rendering | >80 CRI |
| Housing Material | Sheet Metal |
| Diffuser Material | PS+PMMA |
| IP Rating | IP20 |
| Manufacturer | Sealite Co. Ltd |

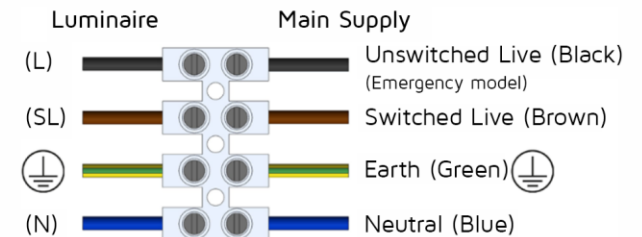
SUPPLY/EARTH CLASS

100-240V AC 50/60 Hz

Fig.1 Mains Input Termination



Class I

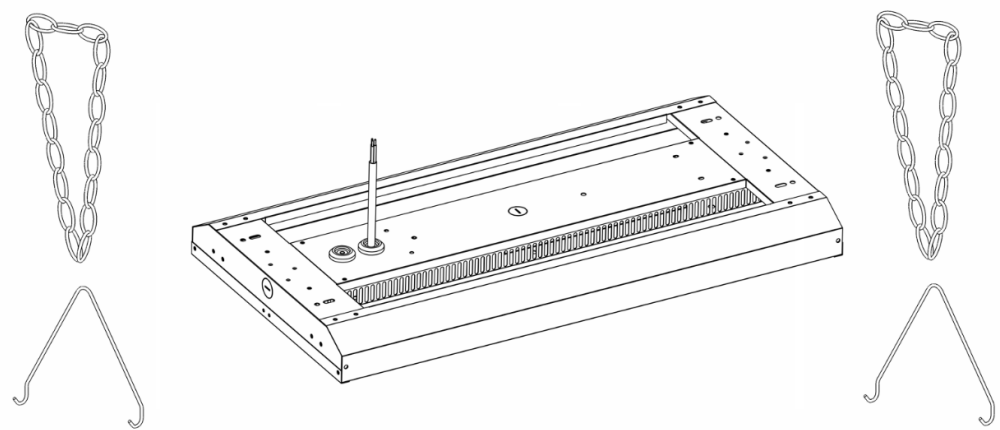


Installation procedure: Carefully read the installation instructions and ensure the mains supply is isolated before installation. Please follow the safety information overleaf before carrying out any installation. Please retain this leaflet for future reference.

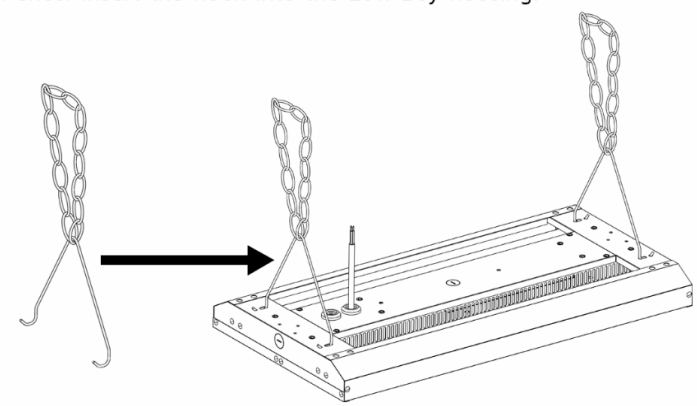
Low Bay Installation:

 Replaceable control gear by professional
  Non-replaceable control gear

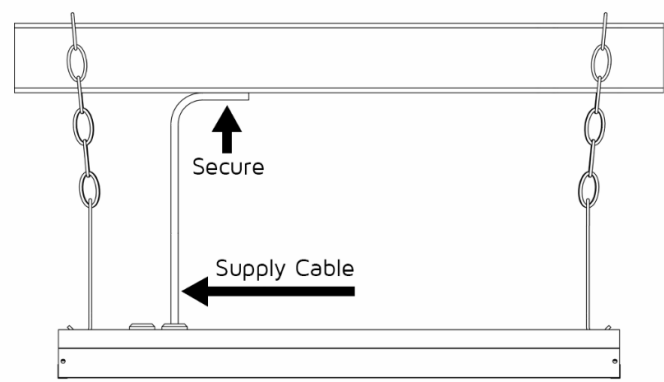
Step 1: Carefully remove the Low Bay and fixing bracket kit from the packaging.



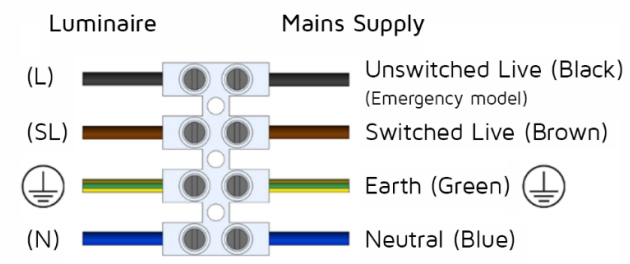
Step 2: Attach the chains to the support beam / mounting point. Then attach the metal hook to the chain ends. Insert the hook into the Low Bay housing.



Step 3: Secure the supply cable using suitable clips. Ensure that the cable is not touching the body of the Low Bay light.



Step 4: Connect the cable to the mains as per the illustration below.



LED High Power Flood Lights

A series of versatile, IP65 rated units for outdoor applications, ranging from 100W to 240W.

5 Year Extended Warranty.



LED High Bay

Available in 100W, 150W & 200W. The Orwell Range of LED High Bays are dimmable (1-10V) as standard.



Full product range available

Visit www.netled.co.uk for more commercial LED lighting products, including:

Panel Lights, Downlights, T5 and T8 Tubes, Batten and Linear Luminaires, Bulkheads, retrofit Gear Trays, Non-Corrosive Luminaires and much more.