

### Safety Information

>All electrical work must be undertaken by a qualified contractor to ensure compliance with latest edition BS 7671 and IEE/IET wiring regulations.

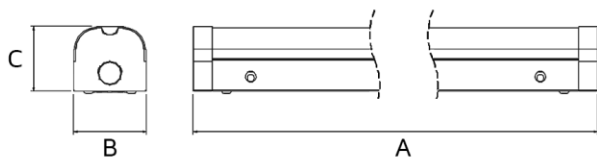
>Before installing an LED Batten or doing an maintenance, ensure power supply is turned off at the circuit breaker or fuse box.

>This product is designed for permanent connection to fixed wiring; the circuit should be protected with the appropriate MCB or fuse.

### Environment

>Please DO NOT dispose of electrical items or packaging as unsorted waste. Use the recycling facilities provided by your local authorities.

### PRODUCT DIMENSIONS



Size (ft)	A	B	C
2	603	70	64
4	1203	70	64
5	1503	70	64
6	1803	70	64

All units are in mm

### Important Warranty Information

The LED Batten has a 3 year warranty, which can be extended free of charge to 5 years by registering online via the website address below. The registrant must provide the product part number and date of manufacture, which can be found on the label attached to the luminaire housing.



Certificate No. FS 571788



Certificate No. EMS 571787

NET LED Limited  
Buckingway Business Park  
300 Anderson Road  
Cambridge  
CB24 4UQ UK  
sales@netled.co.uk  
www.netled.co.uk

Technical Helpline: 01223 851505  
Email: support@netled.co.uk

www.netled.co.uk/downloads


Distributed by



### LED BATTEN INSTALLATION GUIDE

### LED BATTEN NET-43-11-XX

#### KEY DATA

Light Source:	LED 					
Length	2ft	4ft	5ft	6ft		
Length	600mm	1200mm	1500mm	1800mm		
Power	12W	17W	22W	45W	32W	75W
Luminous Flux(3000K)	1450lm	2275lm	2960lm	5560lm	3930lm	9630lm
Luminous Flux(4000K)	1500lm	2290lm	3090lm	5890lm	4170lm	10160lm
Luminous Flux(5500K)	1500lm	2290lm	3080lm	5780lm	4140lm	10130lm
Luminous Efficacy	125lm/W	135lm/W	143lm/W	135lm/W	137lm/W	142lm/W
Colour Temperature	Tri-Colour 3000/4000/5500K					
Colour Rendering	>80 CRI					
Housing Material	Aluminium					
Diffuser Material	Polycarbonate					
IP Rating	IP20					
Manufacturer	Sochii Lighting					

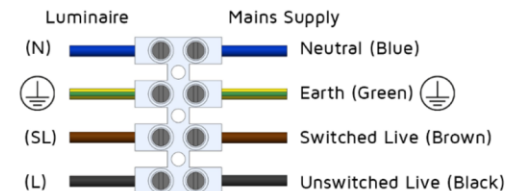
### SUPPLY/EARTH CLASS

220-240V AC 50/60 Hz



Class I

Fig.1 Mains Input Termination



**Installation procedure:** Carefully read the installation instructions and ensure the mains supply is isolated before installation. Please read the safety information overleaf before carrying out any installation. Please retain the leaflet for future reference.

**LED Batten Installation:**

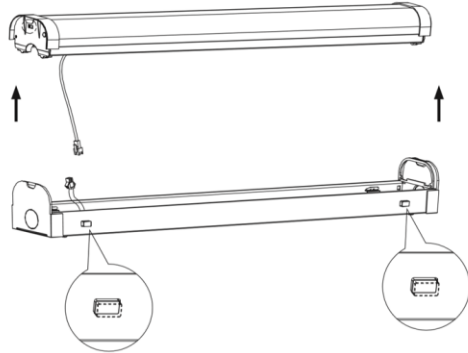


Replaceable light source by end-user

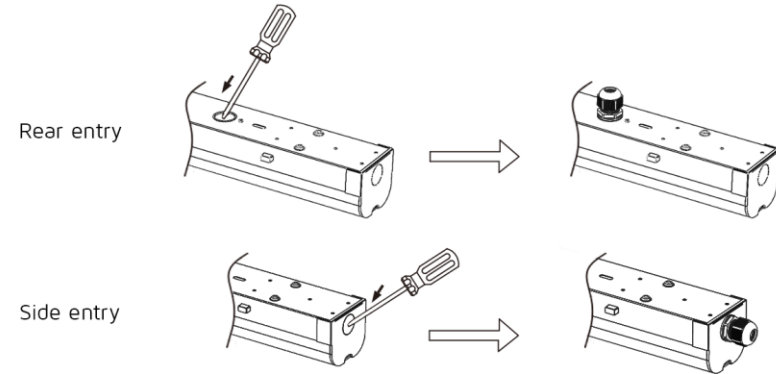


Replaceable control gear by professional

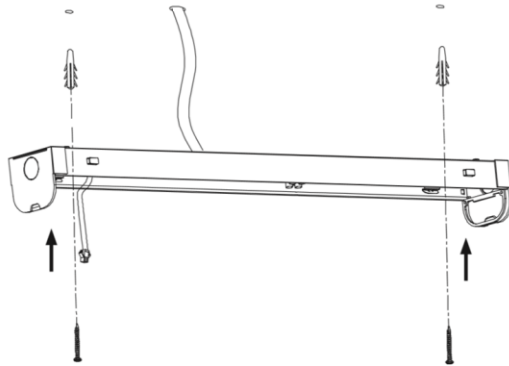
**Step 1:** Carefully remove the LED Batten from the packaging. Press the clips on the luminaire housing to remove the diffuser.



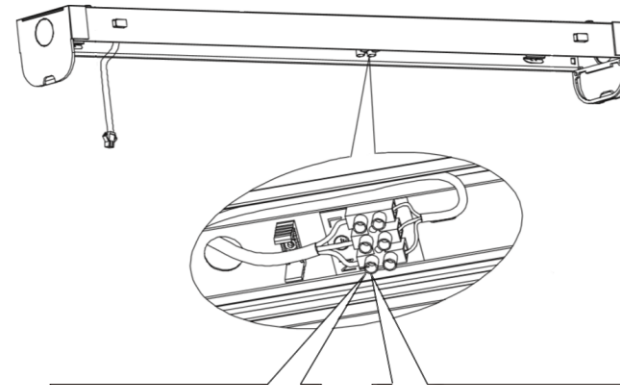
**Step 2:** Pop out the required cable entry hole and fix the cable gland supplied if required.



**Step 3:** Fix the LED Batten onto a mounting surface as per the illustration below.

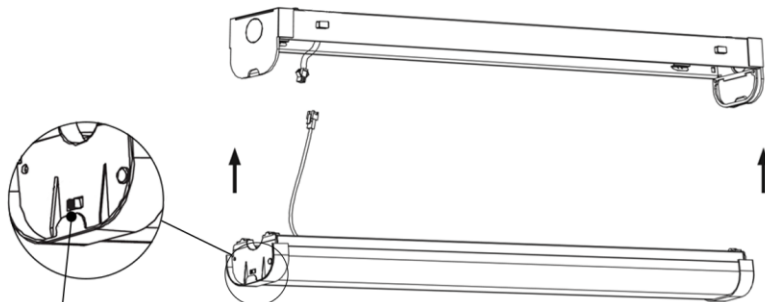


**Step 4:** Wire the cable into the terminal block inside the luminaire housing.



**Important Battery Warranty information**  
The Battery has a 1 Year Warranty.  
To claim, you must provide the product part number and date of manufacture, which can be found on the label attached to the Luminaire housing along with the original purchase invoice.

**Step 5:** Select colour temperature, then replace the diffuser and ensure it has clicked into place. Turn on the power supply to ensure the luminaire is working properly.



Colour temperature switch

