

Safety Information

>All electrical work must be undertaken by a qualified contractor to ensure compliance with latest edition BS7671 and IEE/IET wiring regulations.

> Before installing an Coton Clean High Bay or doing any maintenance, ensure power supply is turned off at the circuit breaker or fuse box.

> This product is designed for permanent connection to fixed wiring; the circuit should be protected with the appropriate MCB or fuse.

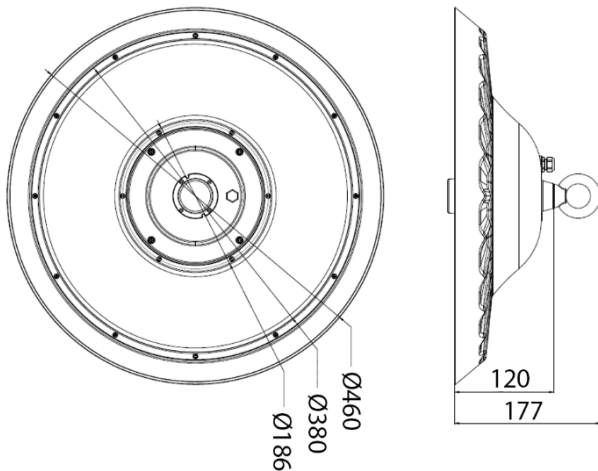
Environment

>Please DO NOT dispose of electrical items or packaging as unsorted waste. Use the recycling facilities provided by your local authorities.

Non-replaceable light source

>The light source of this luminaire is not replaceable. When the light source reaches its end of life the whole luminaire shall be replaced.

PRODUCT DIMENSIONS



All units are in mm

Important Warranty Information

The Coton Clean High Bay has a 3 year warranty, which can be extended free of charge to 5 years by registering online via the website address below. The registrant must provide the product part number and date of manufacture, which can be found on the label attached to the luminaire housing.



Certificate No. FS 571788



Certificate No. EMS 571787

NET LED Ltd.
Buckingway Business Park
300 Anderson Road
Cambridge
CB24 4UQ
sales@netled.co.uk
www.netled.co.uk

Technical Helpline: 01223 851505
Email: support@netled.co.uk

www.netled.co.uk/downloads

Distributed by



LED HIGH BAY INSTALLATION GUIDE

LED CLEAN HIGH BAY NET-23-12-30

KEY DATA

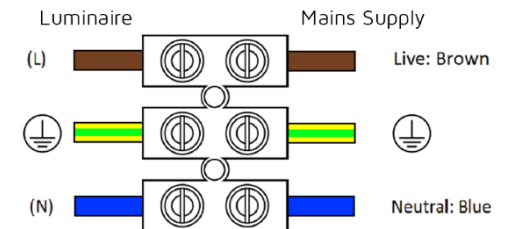
Light Source	LED
Power	150W
Luminous Flux	21000lm
Luminous Efficacy	140lm/W
Colour Temperature	5000K
Colour Rendering	>80 CRI
Housing Material	Aluminium
Diffuser Material	Polycarbonate
IP Rating	IP65
IK Rating	IK10
Manufacturer	FYTLED

SUPPLY/EARTH CLASS

100-270V AC 50/60 Hz




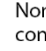


Mains Input Termination

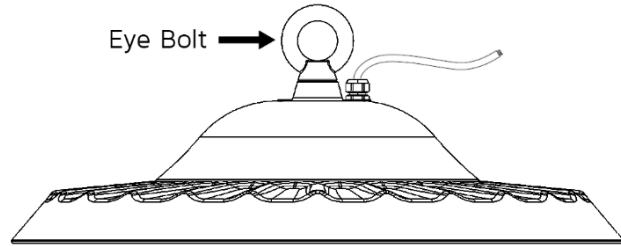


Installation procedure: Carefully read the instructions and ensure the mains supply is isolated before installation. Please follow the safety information overleaf before carrying out any installation. Please retain this leaflet for future reference.

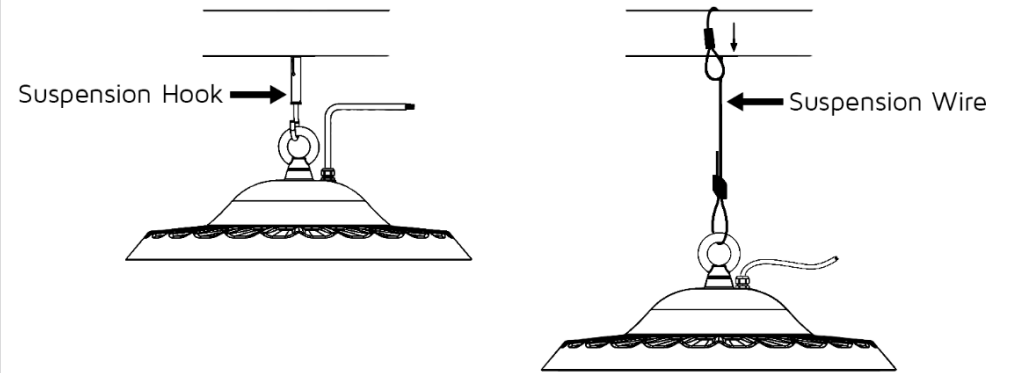
High Bay Installation:


 Non-replaceable light source
 
 Non replaceable control gear

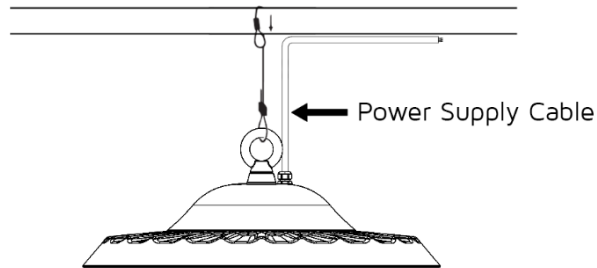
Step 1: Carefully remove the High Bay light from the packaging. Take out the eye bolt from the packaging and screw in tight on top of the High Bay.



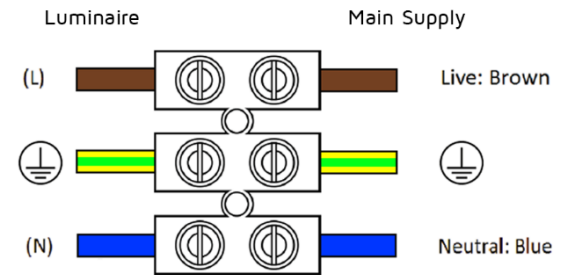
Step 2: Mount the High Bay light to the ceiling using a bracket or a suitable suspension kit.



Step 3: Secure the supply cable using suitable clips. Ensure that the cable is not touching the body of the High Bay.



Step 4: Connect the cable to the mains as per the illustration below.



Accessories

PIR Sensor

Ensures that the unit is switched off when no movement is detected.

NET-23-12-32



Accessories

PIR Remote Control

NET-23-12-34



Full product range available

Visit www.netled.co.uk for more commercial LED lighting products, including:

Panel Lights, Downlights, T5 and T8 Tubes, Linear Luminaires and much more.