

Safety Information

>All electrical work must be undertaken by a qualified contractor to ensure compliance with latest edition BS7671 and IEE/IET wiring regulations.

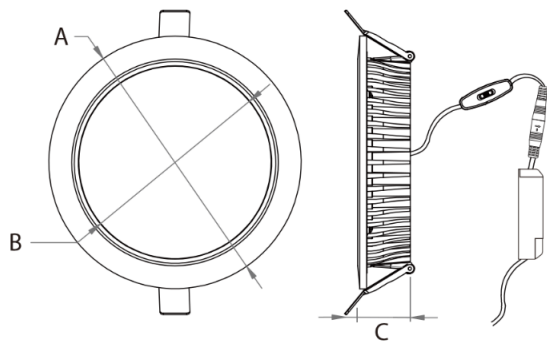
> Before installing the LED Tri-colour Downlight or doing any maintenance, ensure power supply is turned off at the circuit breaker or fuse box.

> This product is designed for permanent connection to fixed wiring; the circuit should be protected with the appropriate MCB or fuse.

Environment

>Please DO NOT dispose of electrical items or packaging as unsorted waste. Use the recycling facilities provided by your local authorities.

PRODUCT DIMENSIONS



| Size(Inch) | A | B | C |
|------------|-------|-------|------|
| 3 | 110mm | 90mm | 45mm |
| 4 | 140mm | 120mm | 45mm |
| 6 | 190mm | 165mm | 45mm |
| 8 | 228mm | 200mm | 45mm |

Important Warranty Information

The LED Tri-colour Downlight has a 3 year warranty, which can be extended free of charge to 5 years by registering online via the website address below. The registrant must provide the product part number and date of manufacture, which can be found on the label attached to the luminaire housing.



Certificate No. FS 571788



Certificate No. EMS 571787

NET LED Limited
Buckingway Business Park
300 Anderson Road
Cambridge
CB24 4UQ UK
sales@netled.co.uk
www.netled.co.uk

Technical Helpline: 01223 851505
Email: support@netled.co.uk

www.netled.co.uk/downloads

Distributed by



LED TRI-COLOUR DOWNLIGHT INSTALLATION GUIDE

CAXTON LED DOWNLIGHT NET-49-05-XX

KEY DATA

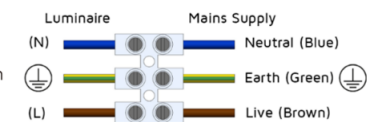


| Light Source | LED | | | |
|------------------------|---------------------------------|---------|---------|---------|
| Size | 3 | 4 | 6 | 8 |
| Power | 5W | 7W | 16W | 20W |
| Luminous Flux (3000K) | 450lm | 700lm | 1600lm | 2000lm |
| Luminous Flux (4000K) | 475lm | 750lm | 1680lm | 2100lm |
| Luminous Flux (5500K) | 450lm | 700lm | 1650lm | 2000lm |
| Luminous Efficacy | 95lm/W | 105lm/W | 105lm/W | 105lm/W |
| Colour Temperature | Tricolour 3000K,4000K and 5500K | | | |
| Colour Rendering | >80 CRI | | | |
| Housing Material | Aluminium | | | |
| Diffuser Material | Polycarbonate | | | |
| IP Rating (Front/Back) | IP65 Front / IP20 Rear | | | |
| Manufacturer | Crep Optoelectronics | | | |

SUPPLY/EARTH CLASS

Driver

220-240V AC 50/60 Hz
Fig.1 Mains Input Termination



Luminaire

36-42V DC
Fig2. Twist Lock Connectors



Installation procedure: Carefully read the instructions and ensure the mains supply is isolated before installation. Please follow the safety information overleaf before carrying out any installation. When installing, leave a space of at least 1.2m between the LED Downlight and any heating source/air conditioning unit. Please retain this leaflet for future reference.

LED Downlight Installation:

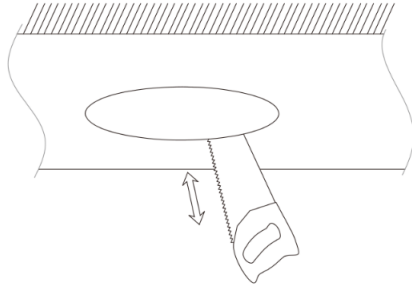


Replaceable control gear by end-user



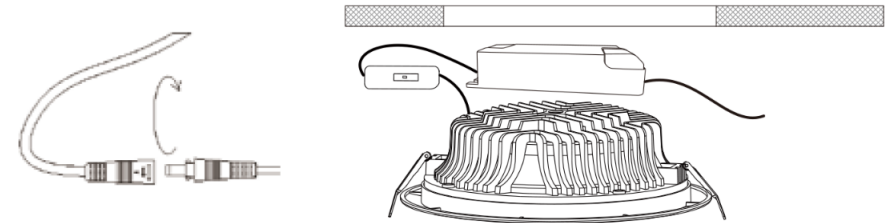
Non-replaceable light source

Step 1: Isolate mains power supply before starting any installation. Cut out a mounting hole in the ceiling as per dimensions in the table below.

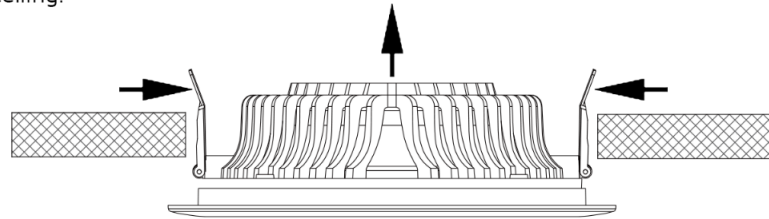


| Downlight | Cut-out |
|-----------|------------|
| 3 inch | Ø90-100mm |
| 4 inch | Ø120-130mm |
| 6 inch | Ø165-175mm |
| 8 inch | Ø200-210mm |

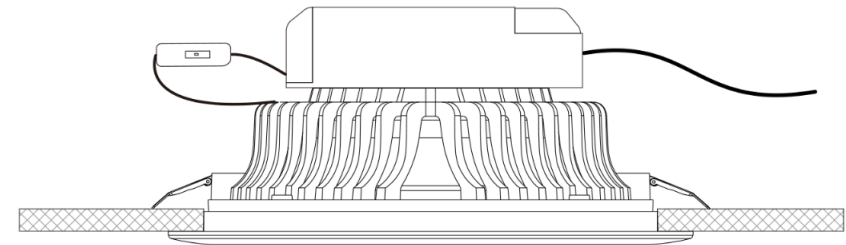
Step 2: Connect the Downlight and driver using the inter-locking connectors. Select colour temperature on switch. Wire the LED driver to the mains supply junction box.



Step 3: Press clasp springs back and push downlight body into the aperture until it's fixed in the ceiling.



Step 4: Switch on the mains supply to test the Downlight for correct operation.



Optional additional products: A number of additional compatible products are available.

Other products from NET LED Lighting: Full range available at www.netled.co.uk.

3 Hour emergency Kits

LED Downlights are compatible with our 3 Hour Emergency Kits. Units maintain compatible Downlights

Emergency kits available for the 3", 4", 6" & 8" Downlights

Full specifications are available on request or at www.netled.co.uk



Dimming accessories

We can supply DALI and 1-10V dimming accessories.

Dimmable drivers available for the 6" & 8" Downlights.

Full specifications are available on request or at www.netled.co.uk



For wiring diagram, please view the QR code above.