

### Safety Information

>All electrical work must be undertaken by a qualified contractor to ensure compliance with latest edition BS7671 and IEE/IET wiring regulations.

> Before installing a LED Sports Light or doing any maintenance, ensure power supply is turned off at the circuit breaker or fuse box.

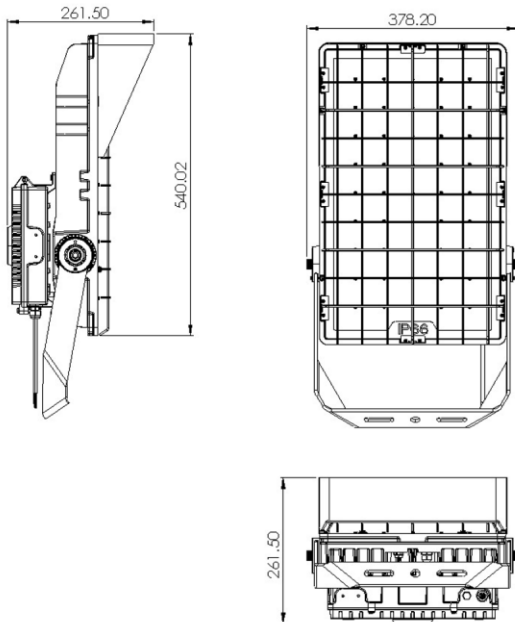
> This product is designed for permanent connection to fixed wiring; the circuit should be protected with the appropriate MCB or fuse.

>Please DO NOT dispose of electrical items or packaging as unsorted waste. Use the recycling facilities provided by your local authorities.

### Non-replaceable light source

>The light source of this luminaire is not replaceable. When the light source reaches its end of life the whole luminaire shall be replaced.

### PRODUCT DIMENSIONS



All units are in mm

### Important Warranty Information

The LED Sports Light has a 3 year warranty, which can be extended free of charge to 5 years by registering online via the website address below. The registrant must provide the product part number and date of manufacture, which can be found on the label attached to the luminaire housing.



NET LED Limited  
Buckingway Business Park  
300 Anderson Road  
Cambridge  
CB24 4UQ UK  
sales@netled.co.uk  
www.netled.co.uk

Technical Helpline: 01223 851505  
Email: support@netled.co.uk

www.netled.co.uk/downloads

Distributed by



### LED SPORTS LIGHT INSTALLATION GUIDE

### LED SPORTS LIGHT NET-23-04-65

#### KEY DATA

Light Source	LED
Power	500W
Luminous Flux	70400lm
Luminous Efficacy	141lm/W
Colour Temperature	6000K
Colour Rendering	>70 CRI
Lamp Viewing Angle	30°x70°
Housing Material	Aluminium
Diffuser Material	PMMA Lens
IP Rating	IP65
IK Rating	IK10
Manufacturer	FYTLED

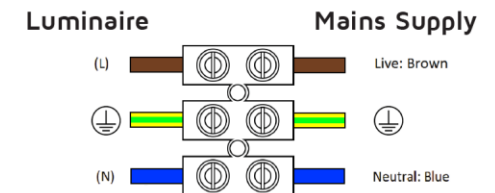
#### SUPPLY/EARTH CLASS

220-240V AC 50/60 Hz



Class I

Fig.1 Mains Input Termination



**Installation procedure:** Carefully read the installation instructions and ensure the mains supply is isolated before installation. Please follow the safety information overleaf before carrying out any installation. Please retain this leaflet for future reference.

### High Bay Installation:

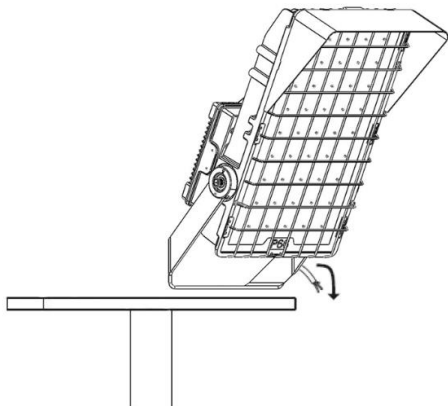


Non-replaceable light source

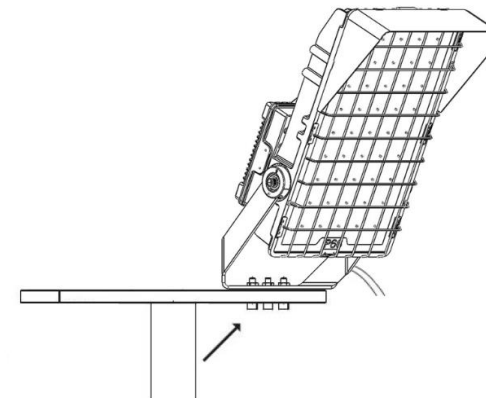


Non replaceable control gear

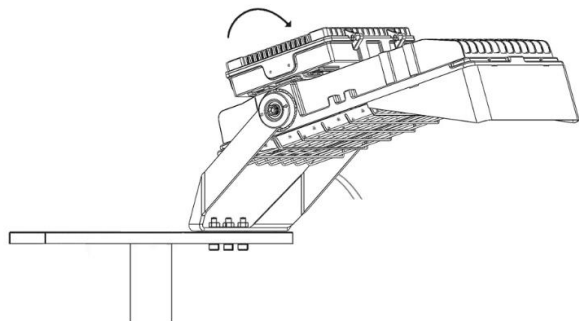
**Step 1:** Carefully remove the Sports Light from the packaging. Feed the cable into the pole.



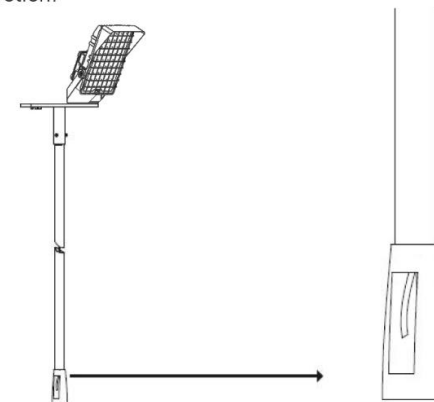
**Step 2:** Select a suitable mounting position and drill into the mounting surface. Screw the bracket onto the mounting surface using suitable wall plugs and screws.



**Step 3:** Tilt the Sports Light to adjust it as required and tighten the bolts to lock the Sports Light in position.



**Step 4:** Connect the cable to the mains as per the illustration below in an IP rated junction box. Test the Sports Light for correct operation.



### LED High Power Flood Lights

A series of versatile, IP65 rated units for outdoor applications, ranging from 100W to 240W.

5 Year Extended Warranty.



### LED Slimline Flood Lights

Available in 20W, 30W, 50W and 100W. The Slimline range is a compact unit compatible with an optional PIR or photocell sensor.



### Full product range available

Visit [www.netled.co.uk](http://www.netled.co.uk) for more commercial LED lighting products, including:

Panel Lights, Downlights, T5 and T8 Tubes, Linear Luminaires, 2D Bulkheads and retrofit Gear Trays, Non-Corrosive Luminaires and much more.