

Lynxus Zigbee Daylight Sensor



KEY DATA

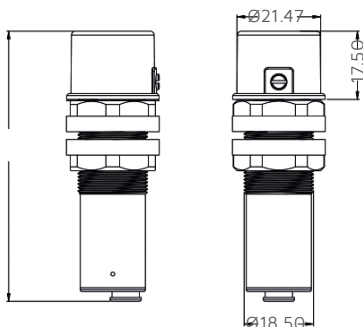
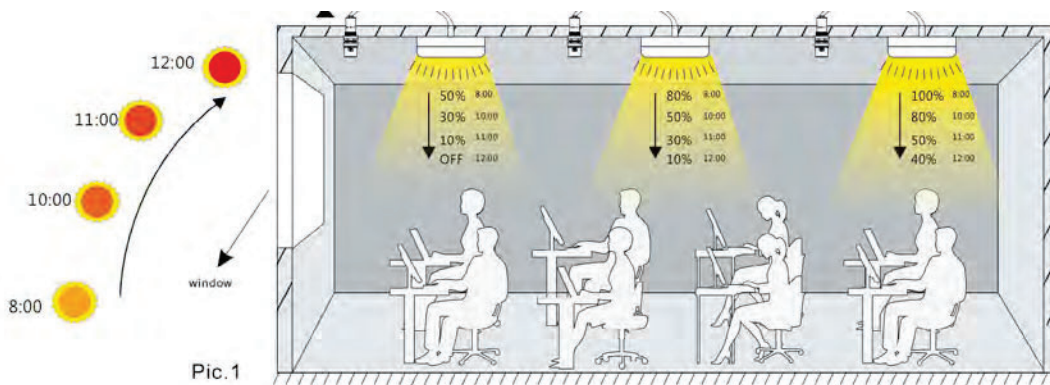
Operating Voltage DC	1-10V
Max. current sink	50mA (Maximum rating)
Dimming Range	1 - 100%
Operating Temp.	0°C to +45°C
Detection Angle	90°
IP Rating	IP20
Dimensions	69.3 x ø21.47 mm
Warranty	3 Years

Part Number

NET-48-16-05

Description

When used in conjunction with a Luminaire Interface Module, this Daylight Sensor allows feedback into your Smart Lighting System. Through one off set up in the Android App, output from the sensor can Daylight Dim any selected Luminaires within the zone allowing you to achieve constant light levels throughout the day.



All units are in mm