

Ramsey High Power Flood Light 240W

34528lm



Features

- Power in / power out
- Breather valve allows heat to escape and prevents condensation
- IP65 and IK08 protection
- Tempered glass provides double protection and good self-clean
- Complete with Tamper-Proof Fixings
- Excellent cooling performance that assures a long lifespan
- Optional 2-in-1 Motion and Photocell Sensor available



Compatible Accessories

Motion and Photocell Sensor	NET-42-04-39	Page 155
Photocell Kit for Outdoor Lighting	NET-51-04-59	Page 155

Typically Replaces

- 1 x 500W / 600W metal halide or SON

KEY DATA

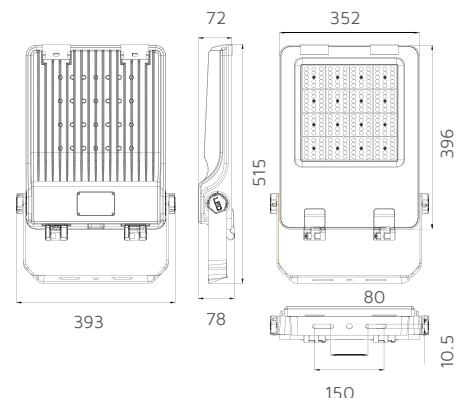
Power	240W
Luminous Flux	34528lm
Colour Temperature	6000K
IP Rating	IP65
IK Rating	IK08
Dimensions	515 x 393 x 78mm
Warranty	5 Years (Registration Required)

Part Number

NET-23-04-17

TECHNICAL SPECIFICATIONS

Input Voltage AC	100-270V
Power Factor	>0.90
Luminaire Efficacy	144lm/W
LED Manufacturer	Sanan
LED Type	EMC 3030
No. of LEDs	280
Driver Manufacturer	Tomcarline
Driver Output Voltage DC	42V
Total Circuit Power (W)	240W +/- 5W
Electrical Class	1
Colour Rendering	>70 CRI
Lamp Viewing Angle	90°
Dimmable	No
Operating Temp.	-15°C to +45°C
Lifespan LM80	50,000 Hours
UGR Rating	27
Diffuser Material	Glass
Housing Material	Aluminium
Housing Colour	Black
Weight	9.2Kg
Manufacturer	FYTLED



All units are in mm