

# Hatley Up/Down Crescent Wallpack 9W

230lm

New



## Features

- Single colour temperature 4000K
- Adjustable cover allows you to direct light either up or down
- IP54 rated housing - protected against dust and water

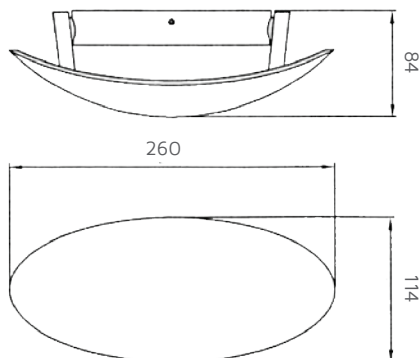


## Compatible Accessories

Photocell Kit for Outdoor Lighting

NET-51-04-59

Page 155



All units are in mm

## KEY DATA

Power	9W
Luminous Flux	230lm
Colour Temperature	4000K
IP Rating	IP54
Dimensions	260 x 114 x 84mm
Warranty	3 Years

Part Number

NET-51-11-56

## TECHNICAL SPECIFICATIONS

Input Voltage AC	100-240V
Power Factor	>0.5
Luminaire Efficacy	>25lm/W
LED Manufacturer	Bridgelux
LED Type	SMD 5630
No. of LEDs	27
Driver Manufacturer	Sealite Co. Ltd.
Driver Output Voltage DC	36V
Total Circuit Power (W)	9W
Electrical Class	1
Colour Rendering	80 CRI
Lamp Viewing Angle	90°
Dimmable	No
Operating Temp.	-5°C to +40°C
Lifespan <sub>LM80</sub>	>30,000 Hours
UGR Rating	22
Diffuser Material	Polycarbonate
Housing Material	Aluminium
Housing Colour	Dark grey
Weight	0.75Kg
Manufacturer	Sealite Co. Ltd