

# CT Current transformers

## Optimize consumptions, improve efficiency

The new CT PRO XT and CT MAX range of current transformers has been specially designed for easy and safe switchboard installation, testing and maintenance operations thanks to the compact size of the products and their flexible assembly system. Moreover, the integrated electronic protection circuit in the CT PRO XT SELV and CT MAX SELV versions guarantees protection against risks deriving from no-load operation of the secondary.

Double method for connecting the secondary winding, thanks to introduction of screwless terminals, an application standard more and more widespread, that facilitates and speeds up the installation and maintenance operations.

Screw terminals for secondary winding usable with forked cable terminals and stripped cables. The assembly instructions are directly indicated on the product.

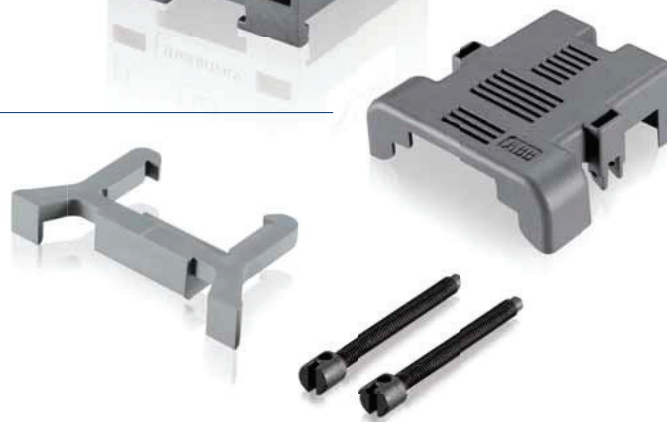
Through primary dimensions designed to optimize the product installation (considering rated current values and primary conductor dimensions) and to suit any standard applications requirements.

The accessories provided along with the product include a sealable cover for billing applications, and assembly supports allowing the product to be installed in all the more common mounting systems (primary cable, primary busbar, DIN rail and wall-mounting installations).

Sealing points for the cover to protect the terminal board of the secondary circuit and to ensure product compliance in applications for fiscal and billing purposes.

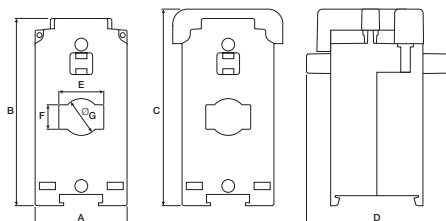
Marks and approvals attesting the conformity to the principal international standards.

The extremely compact dimensions make the product extremely flexible when it comes to installation, and easy to handle during maintenance and tests.



Overall dimensions

	A	B	C	D	E	F	G
CT PRO XT .../SA	145	92	96	69	22	12	18



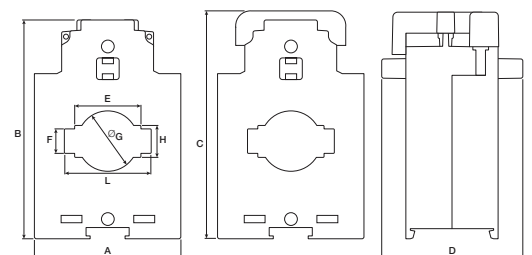
**Accessories supplied:**

- Sealed terminals cover
- Mounting accessory
- M5 self-threading screw



Overall dimensions

	A	B	C	D	E	F	G	H	L
CT MAX .../SA	170	107	111	69	32	12	30	15	42



**Accessories supplied:**

- Sealed terminals cover
- Mounting accessory
- M5 self-threading screw
- Accessories and screws for wall mounting

