

Enclosures

IP66 Gemini weather proof range

The Gemini series ensures maximum protection in the toughest environments.



ABB is the first manufacturer in the electrical field to use co-injection moulding technique. This process is a “sandwich” of two materials with a compact external covering and an expanded core, guaranteeing the highest level of mechanical protection against impacts (IK10).

The Gemini range is revolutionising the market of low voltage electric insulating switchboards as it is the first switchboard made of thermoplastic material, to which the co-injection moulding technique gives the same mechanical characteristics as polyester.

Extremely sturdy, with its rigid covering and expanded internal core Gemini switchboards are IP66, IP30 with the door open afford a very high resistance to chemical and atmospheric agents and guarantees excellent performances even in severe operating conditions.

In distribution and mixed applications, the Gemini switchboard is designed to be fitted with System pro M modular devices and Tmax moulded-case circuit breakers. Gemini switchboards are designed to be compatible with ABB components for low voltage control, protection, monitoring and switching.



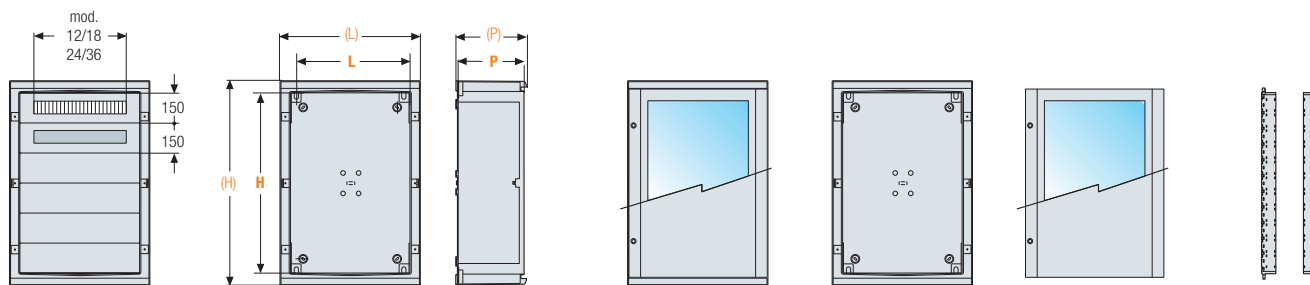
The double insulated inner door is made of insulating material and guarantees IP30 degree of protection when the cabinet door is open. ABB provides full range of compatible low voltage components for control, protection, monitoring and switching.

Technical characteristics

Rated service voltage	CEI EN 50298, CEI 23-48, CEI23-49, IEC 60670, CEI EN 60439-1, CEI EN 62208, IEC 61439-1-2
Compliance with standards	Ue 1000 V AC - 1500V DC
Operating temperature °C	-25°C +100°C
Resistance to abnormal heat and fire	up to 750°C
Degree of resistance to impacts	IK10 (IEC 62262)
Degree protection (CEI EN 60529)	IP30 open door
	IP66 closed door
Recyclable	100%

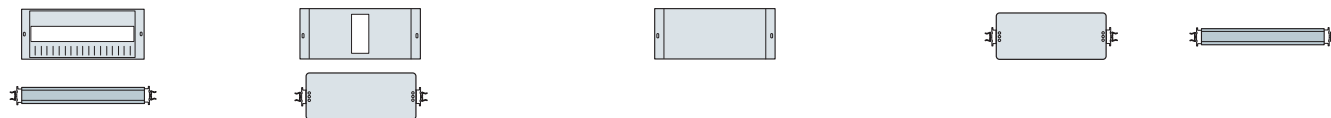
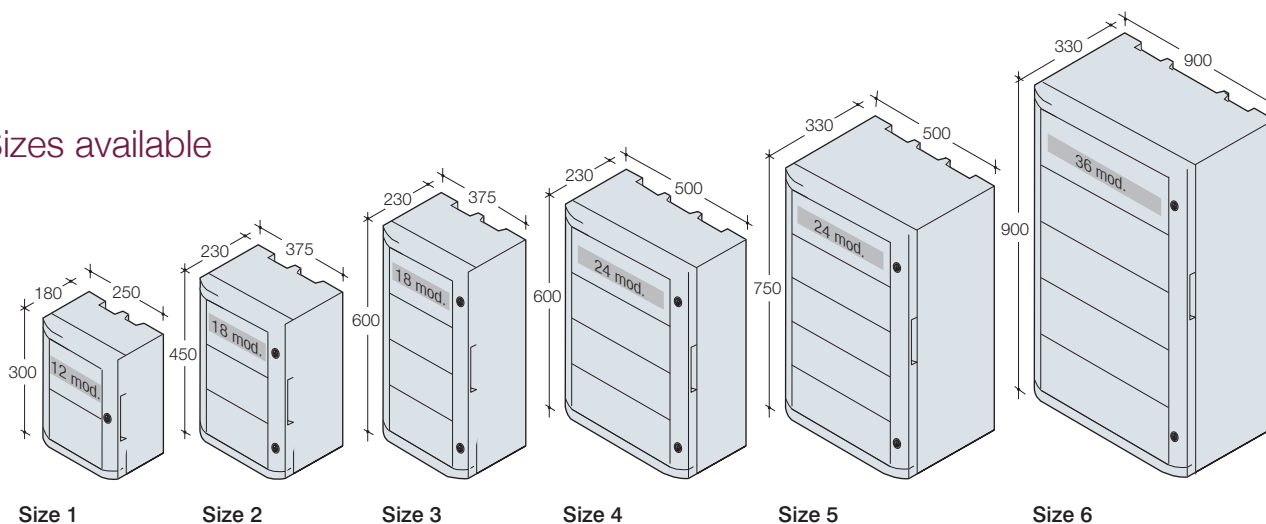
Gemini switchboards

Rapid selection table



Size	No. of vertical mod. H=150mm	No. of DIN modules installable	External dimensions			Internal dimensions			Complete switchboard door			Door		
			(H) mm	(W) mm	(D) mm	H mm	W mm	D mm	Transparent	Opaque	Box	Transparent	Opaque	Uprights
1	2	24 (12x2)	400	335	210	300	250	180	1SL0211A00	1SL0201A00	1SL0221A00	1SL0241A00	1SL0231A00	1SL0283A00
2	3	54 (18x3)	550	460	260	450	375	230	1SL0212A00	1SL0202A00	1SL0222A00	1SL0242A00	1SL0232A00	1SL0284A00
3	4	72 (18x4)	700	460	260	600	375	230	1SL0213A00	1SL0203A00	1SL0223A00	1SL0243A00	1SL0233A00	1SL0285A00
4	4	96 (24x4)	700	580	260	600	500	230	1SL0214A00	1SL0204A00	1SL0224A00	1SL0244A00	1SL0234A00	1SL0285A00
5	5	120 (24x5)	855	585	360	750	500	330	1SL0215A00	1SL0205A00	1SL0225A00	1SL0245A00	1SL0235A00	1SL0286A00
6	6	216 (36x6)	1005	840	360	900	750	330	1SL0216A00	1SL0206A00	1SL0226A00	1SL0246A00	1SL0236A00	1SL0287A00

Sizes available



Size	DIN rail kit DIN rail+drilled panel		Kit for Tmax plate+drilled panel		Blank panel			Modular plate		DIN rail
	1 mod. H=150mm	1+1/2 mod. H=225mm	1 mod. H=150mm	2 mod. H=300mm	1/2 mod. H=75mm	1 mod. H=150mm	2 mod. H=300mm	1 mod. H=150mm	2 mod. H=300mm	
1	1SL0307A00	-	-	-	1SL0318A00	1SL0324A00	1SL0330A00	1SL0296A00	-	1SL0290A00
2	1SL0308A00	1SL0313A00	1SL0336A00	1SL0370A00	1SL0319A00	1SL0325A00	1SL0331A00	1SL0297A00	1SL0302A00	1SL0291A00
3	1SL0308A00	1SL0313A00	1SL0336A00	1SL0370A00	1SL0319A00	1SL0325A00	1SL0331A00	1SL0297A00	1SL0302A00	1SL0291A00
4	1SL0309A00	1SL0314A00	1SL0337A00	1SL0371A00	1SL0320A00	1SL0326A00	1SL0332A00	1SL0298A00	1SL0303A00	1SL0292A00
5	1SL0309A00	1SL0314A00	1SL0337A00	1SL0371A00	1SL0320A00	1SL0326A00	1SL0332A00	1SL0298A00	1SL0303A00	1SL0292A00
6	1SL0310A00	1SL0315A00	1SL0338A00	1SL0372A00	1SL0321A00	1SL0327A00	1SL0333A00	1SL0299A00	1SL0304A00	1SL0293A00