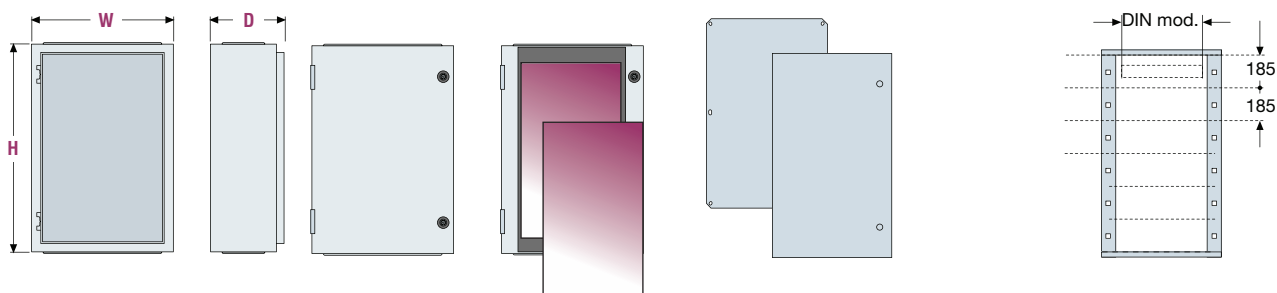


Enclosures

IP66 SR2X Stainless steel enclosures

Rapid selection table



| Overall Dimensions | | | Enclosures | | Kit for automation | | Kit for distribution Supports for mounting modular panels | | | | | | | | |
|--------------------|-----|----------|---|-------------------|--------------------|------------|--|----------------------|---------------|--------------|--------|----|-----|-----|---------|
| Hmm | Wmm | Dmm | Enclosures with blind door + back plate | with glazed door* | Blind counter door | Back plate | No. vertical mod. H=185mm | No. DIN mod. per row | Total modules | DIN supports | | | | | |
| 300 | 200 | 150 | SRN3215X | | | PF3020 | | | | | | | | | |
| | 400 | 150 | SRN3415X | | | PF3040 | | | | | | | | | |
| 400 | 300 | 150 | SRN4315X | | KC4030X | PF4030 | | | | | | | | | |
| | | 200 | SRN4320X | | | | | | | | | | | | |
| | 400 | 200 | SRN4420X | | | PF4040 | | | | | | | | | |
| | | 600 | 200 | SRN4620X | | | | | | | PF4060 | | | | |
| 500 | 400 | 200 | SRN5420X | SRN5420VX* | KC5040X | PF5040 | 2 | 14 | 28 | KD5040X | | | | | |
| | 500 | 200 | SRN5520X | | | PF5050 | | | | | | | | | |
| 600 | 400 | 200 | SRN6420X | SRN6420VX* | KC6040X | PF6040 | 3 | 14 | 42 | KD6040X | | | | | |
| | | 200 | SRN6620X | | | PF6060 | | | | | | | | | |
| | 300 | SRN6630X | | | | | | | | | | | | | |
| 700 | 500 | 250 | SRN7525X | SRN7525VX* | KC7050X | PF7050 | | | | | | | | | |
| | | 200 | SRN8620X | | | | | | | | | | | | |
| | 600 | 250 | | SRN8625VX* | | KC8060X | | | | | PF8060 | 4 | 25 | 100 | KD8060X |
| | | 300 | SRN8630X | | | | | | | | | 25 | 100 | | |
| 800 | 800 | 300 | SRN8830X | | | PF8080 | | | | | | | | | |
| 1000 | 800 | 300 | SRN10830X | SRN10830VX* | KC1080X | PF1080 | 5 | 36 | 180 | KD1080X | | | | | |
| | 600 | 300 | SRN12630X | | | PF1260 | | | | | | | | | |
| 1200 | 800 | 300 | SRN12830X | | | PF1280 | | | | | | | | | |

*The mounting plate must be ordered separately



Spray protection roof

Improves protection against infiltration by liquids and accidental sprays. Made of AISI 304 stainless steel.



Distribution kit

All apparatuses and modular circuit breakers can be installed on a DIN rail combined with a modular panel.



Stacking



SRX enclosures can be stacked using the special kit. The plinth with removable flanges is made of 25/10 thick AISI 304 stainless steel.



Locking

A new Ø19mm closing box made of chrome finished plastic with double tongue key.

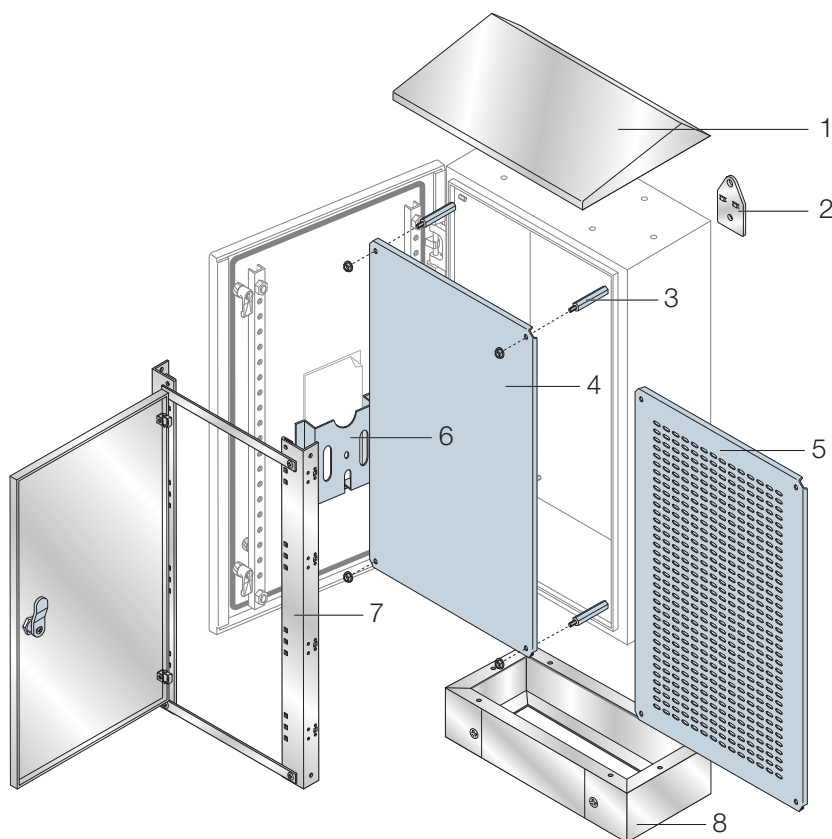
Technical characteristics

| | |
|--|---|
| Conforms to | CEI EN 62208, CEI EN 60439-1, IEC 61439-1-2 |
| Degree of protection | IP66 (CEI EN 60529)* NEMA 4X (UL standard)* |
| Degree of mechanical protection | IK10 blind door IK09 glass door (IEC 62262) |
| Certifications |   III 3 G D |
| Type of material | AISI 304 |
| Installation site | indoors/outdoors |
| Fixing method | floor/wall |
| Normal operating conditions - ambient temperature | from -25 to +55°C |

* Under certification.

Enclosures

IP66 SR2X Stainless steel enclosures



- 1 Spray protection roof
- 2 Wall-mounting brackets
- 3 Spacers for back plates
- 4 Blind internal plate
- 5 Slotted internal plate (please consult us)
- 6 Document pocket
- 7 Inner door
- 8 Plinth
- 9 Frame for DIN rail
- 10 Modular panels for apparatus
- 11 DIN rail
- 12 Blind modular panels
- 13 Modular panel for DIN rail

