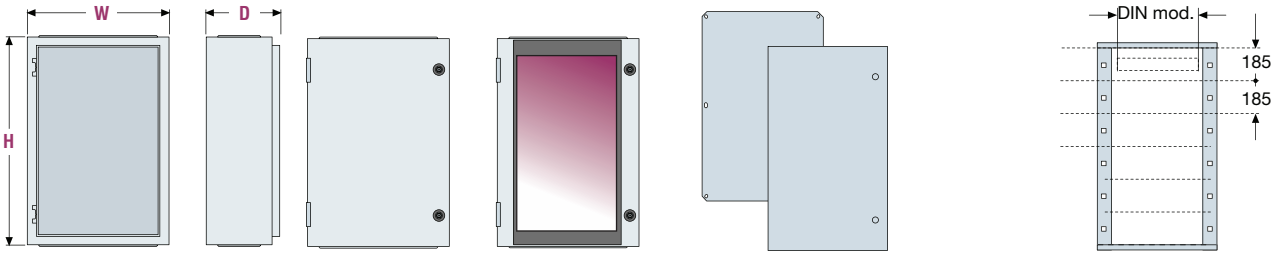


Enclosures

IP65 SR2 Sheet steel enclosures

Rapid selection table



Overall Dimensions			Enclosures		Kit for automation		Kit for distribution Supports for mounting modular panels			
Hmm	Wmm	Dmm	Enclosures with blind door + back plate	with glazed door*	Blind counter door	Back plate	No. vertical mod. H=185mm	No. DIN mod. per row	Total modules	DIN supports
300	200	150	SRN3215K							
	300		SRN3315K							
	400		SRN3415K							
400	300	150	SRN4315K							
	300		SRN4320K							
	400	200	SRN4420K							
	600		SRN4620K							
500	300	200	SRN5320K							
	400		SRN5420K	SRN5420VK*	KC5040K	PF5040	2	14	28	KD5040K
	400		SRN5425K	SRN5425VK*	KC5040K	PF5040	2	14	28	KD5040K
600	400	200	SRN6420K	SRN6420VK*	KC6040K	PF6040	3	14	42	KD6040K
	400		SRN6425K	SRN6425VK*	KC6040K	PF6040	3	14	42	KD6040K
	500	250	SRN6520K							
	600		SRN6625K							
	600		SRN6630K							
700	500	200	SRN7520K	SRN7520VK*	KC7050K	PF7050				
	500		SRN7525K	SRN7525VK*	KC7050K	PF7050				
800	600	250	SRN8625K	SRN8625VK*	KC8060K	PF8060	4	25	100	KD8060K
	600		SRN8630K	SRN8630VK*	KC8060K	PF8060	4	25	100	KD8060K
	800	300	SRN8830K							
1000	600	250	SRN10625K	SRN10625VK*	KC1060K	PF1060	5	25	125	KD1060K
	600		SRN10630K	SRN10630VK*	KC1060K	PF1060	5	25	125	KD1060K
	800	300	SRN10830K	SRN10830VK*	KC1080K	PF1080	5	36	180	KD1080K
1200	600	300	SRN12630K	SRN12630VK*	KC1260K	PF1260	6	25	150	KD1260K
	800		SRN12830K	SRN12830VK*	KC1280K	PF1280	6	36	216	KD1280K
	800	400	SRN12840K							

*The mounting plate must be ordered separately



Plastic document pocket, RAL7035, size A4, the pocket is apply within the solid doors wider than 400 mm, with stickers provided.



Many closure systems can replace the standard closures of the external doors. The inserts are interchangeable and easily replaced by loosening a nut.



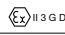


The brackets for wall mounting allows installation of the boxes on the wall using the holes located on the back of the enclosure.



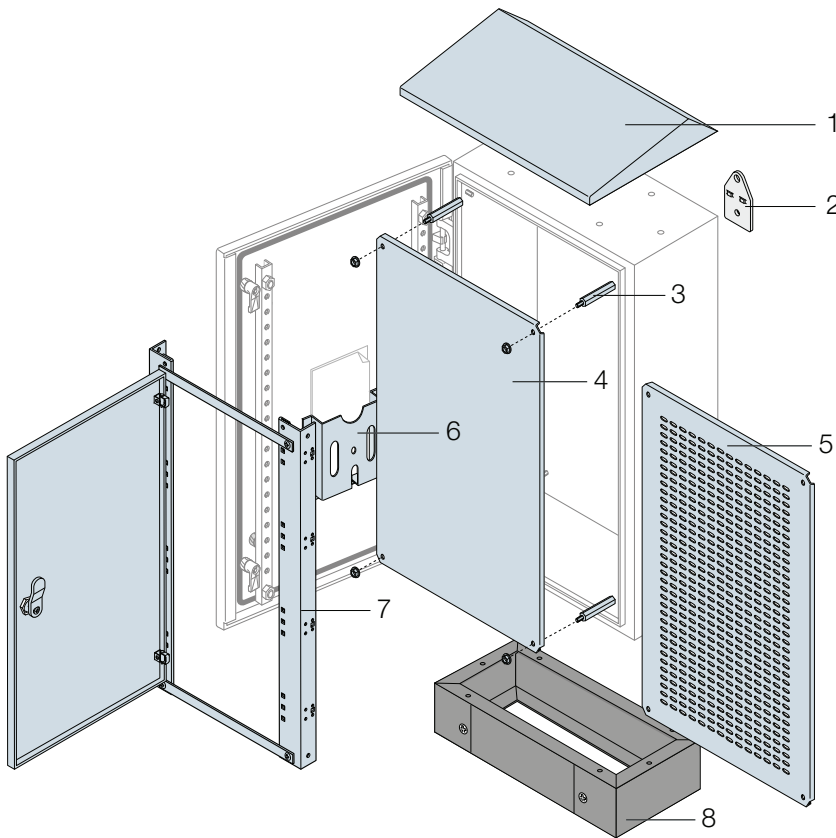
The bars, made of electrolytic copper with M6 threaded holes in 25 mm, can be mounted on mounting plates using the appropriate supports.

Technical characteristics

Conformity with Standard	IEC 62208, IEC 60439-1, IEC 61439-1-2	
Degree of protection	IP65 (IEC 60529) TYPE 12 (Normativa UL)	
Degree of mechanical strength	IK10 blind door IK09 glazed door (IEC 62262)	
Certifications	  	
Type of material	Metallic	
Installation site	Indoors	
Fixing method	floor/wall	
Normal service conditions - ambient temperature	da -5 a +40°C	
Operating climate (T°/Ur%)	constant	23°C/83% - 40°C/93%
	variable	23°C/98% - 40°C/98%

Enclosures

IP65 SR2 Sheet steel enclosures



- 1 Spray protection roof
- 2 Wall-mounting brackets
- 3 Spacers for back plates
- 4 Blind internal plate
- 5 Slotted internal plate (please consult us)

- 6 Document pocket

- 7 Blind inner door

- 8 Plinth

- 9 Frame for DIN rail

- 10 Modular panels for apparatus

- 11 DIN rail

- 12 Blind modular panels

- 13 Modular panel for DIN rail

