

CERES EPSILON
LUXPANEL MOSI
CLIMATE FORTIS
ATLAS CONTECH
CELESTE LUXBAY
TITAN ACADEMY
CONTOUR TASKA
ATOM PLATINUM

LUCECO 

SPECIFICATION GUIDE

10.1 EDITION 

CONTENTS

COMMERCIAL/EDUCATION



15
Epsilon



16
LuxPanel
Backlit



19
LuxPanel
Edgelit



22
Accessories



24
Surface
Modular



27
LuxPanel
Circular



31
LuxPanel
IP65



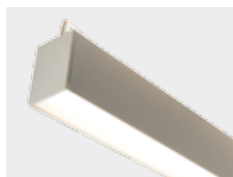
37
LuxPanel
Asymmetric



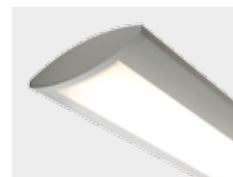
38
Academy



40
ConTech



42
Linea



43
Leren



44
ICE
Linear



45
ICE
Circular

ACCENT/DISPLAY



51
Atom



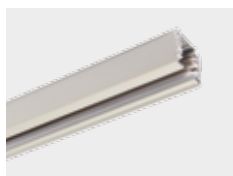
52
Platinum
Mini



54
Platinum



56
Carbon



60
3 Circuit
Track



62
Track Spots
Circular



63
Track Spots
Square



64
Surface
Mounted
Spot



65
Pullout
Spot

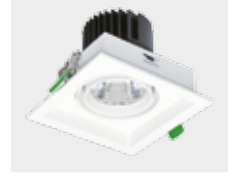
ACCENT/DISPLAY



66
Circular
Pendant



67
Wallwasher



68
Square
Modules



70
Taska

AMBIENT/AMENITY



75
Celeste



76
Mosi
Circular



77
Mosi
Square



78
Fortis
Bulkhead



79
Atlas

INDUSTRIAL



83
LuxBay



84
Ceres



86
Titan



89
Indus



90
Climate



94
LuxPack

EMERGENCY



103
Exit Boxes



104
Decorative
exit



105
IP65
Bulkhead



106
Downlight



107
IP65
Twin-spot



108
Exit Boxes

EMERGENCY



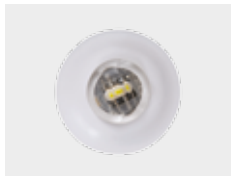
109
Hanging
Blade



110
Recessed
Blade



111
IP65
Bulkhead



112
Downlights



115
Emergency
Pack

OUTDOOR



119
Atlas



122
Fortis
Bulkhead



123
Fortis
Wallpack



124
Guardian
Pro



128
Stadium
Flood



130
In Ground
Uplights



132
Architectural
Spots



134
Post Top



137
Road
Lanterns



139
Commercial
Bollard



140
Decorative
Bollard



141
Decorative
Wall



142
Architectural
Wall



143
Canopy

LIGHTING CONTROLS



147
Low
Profile PIR



148
Adjustable
Microwave



149
High Ceiling
Mounted
PIR



150
Ceiling/Wall
Mounted
Microwave



151
Batten
Mount PIR



151
Remote
Control

Luceco, the global lighting brand from Luceco plc, is a £170m manufacturing business supplying high efficiency, energy saving LED luminaires to the trade, retail and specification markets.

Our reputation is based on the reliability and functionality of our innovative products. By offering market leading warranties, technical support, dedicated customer service and marketing backup, we aim to make it easy for customers to specify and install sustainable lighting.

The teams behind Luceco have over 100 years combined lighting industry experience gained over disciplines such as product design, development, testing and product management. This enviable expertise coupled with the group resources mean that Luceco have the knowledge and ability to be at the forefront of LED lighting technology.

Luceco believe that we have a responsibility to care for and protect the environment in which we operate. We are fully committed to improving environmental performance across all of our manufacturing and other business activities, continually looking for new methods and materials to provide environmentally friendly solutions.

Our international offices provide sales and support to the UK, Europe, Middle East, USA, Asia-Pacific and Africa.





CARBON TRUST

The Carbon Trust is a world-leading organisation helping businesses, governments and the public sector to accelerate the move to a sustainable, low carbon economy through carbon reduction, energy-saving strategies and commercialising low carbon technologies.

As a Carbon Trust Accredited Supplier, Luceco joins a market-leading scheme for high quality energy efficient equipment and renewable technology suppliers. It provides independent validation and recognition of a supplier's skills and services - a much needed and trusted quality standard in a crowded and fast growing market place. Accredited Suppliers must meet or exceed criteria set by the Carbon Trust, designed to examine their capability to deliver thoughtful, well-designed, energy efficient and renewable energy systems.

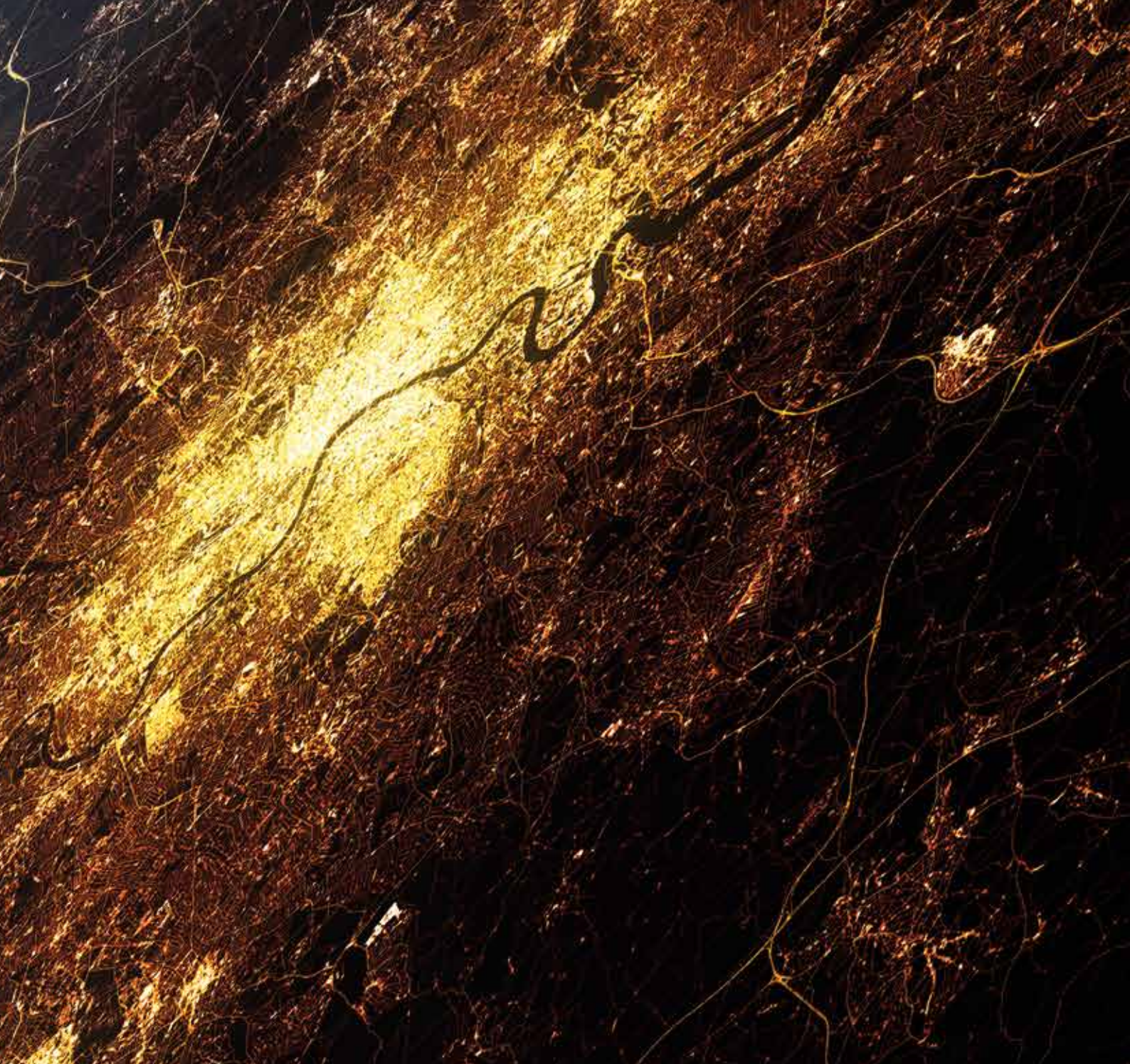


ENHANCED CAPITAL ALLOWANCE

The Enhanced Capital Allowance (ECA) scheme is a key part of the Government's programme to manage climate change. It provides businesses with enhanced tax relief for investments in equipment that meets published energy-saving criteria. Luceco can offer a wide number of products that meet the eligibility criteria. Using ECA compliant luminaires can drastically improve ROI figures.

www.luceco.com/uk/tax-benefits

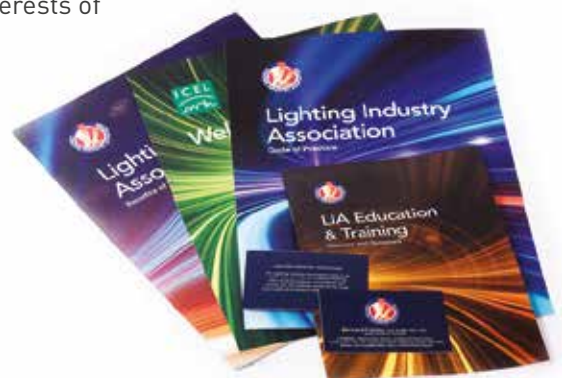




LIGHTING INDUSTRY ASSOCIATION

The Lighting Industry Association is the largest lighting industry trade association in Europe. Their mission is to strengthen the industry and promote the benefits of good quality lighting by representing all aspects of UK, EU and international legislation and standards at the highest level whilst protecting the interests of both the public and its members.

www.thelia.org.uk



ENEC TESTING

As part of our product development and quality processes, Luceco luminaires have been tested to ENEC standards.

This stringent process involves independent third party testing of the luminaires, conducted by an European test house organisation and also the inspection and audit of our manufacturing facility.

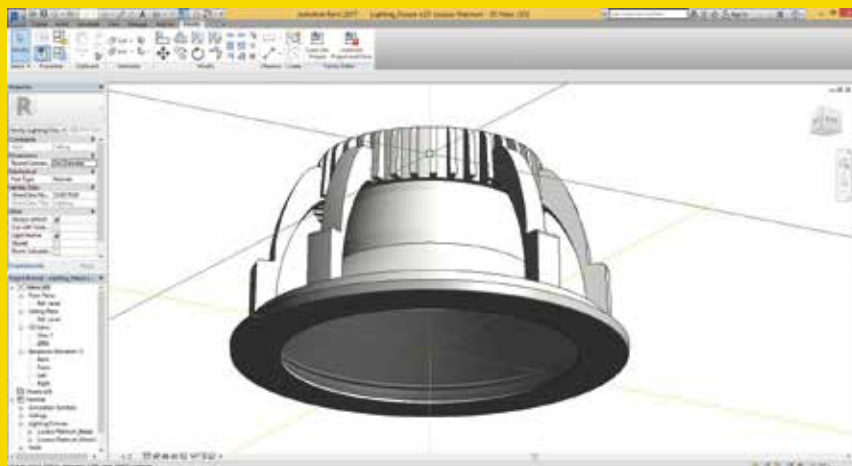
ENEC approval provides full confidence in Luceco products meeting all the relevant safety standards from when they are introduced and also ongoing as the products and audits are re-examined on a bi-annual basis.



BIM

Luceco has BIM Files created in Revit, covering their range of luminaires. This enables our clients to download the information they require to aid the design process and create Building Models.

The Building Information Modelling (BIM) is a collaborative way of working intended to increase the speed of the construction industry, using digital technologies. BIM uses product data and a three dimensional computer model that can be used for effective management of information throughout a project lifecycle.



LIGHTING DESIGN & TECHNICAL SUPPORT

Luceco has a team of specialist engineers with combined lighting industry experience of over 100 years. Our highly experienced team are able to offer informed advice and knowledge regarding the luminaire range and applications.

Also, we are able to offer a complimentary lighting design service from our LIA qualified engineers. This service can provide lighting solutions for all projects, ensuring compliance with the latest standards and regulations.

Photometric data is also available for clients who may wish to perform their own designs.







WARRANTY*

1 YEAR ON SITE WARRANTY (UK ONLY)

Should a product that has been correctly specified, professionally installed by a registered trades person and operated in accordance with the specified parameters, fail during its first year of installation, Luceco will arrange for the product to be repaired or replaced at our discretion.

3 YEAR STANDARD WARRANTY

Luceco offers a standard 3 year warranty for non registered products. If a product was to fail during this period, Luceco will arrange for the product to be repaired or replaced with an equal or substitute product at our discretion.

5 YEAR EXTENDED WARRANTY

Luceco offers 5 ** year extended warranty against selected products where the installation is registered on www.luceco.com. Installations must be carried out by an approved contractor and in accordance with the terms and conditions detailed on the Luceco website.

*1 year on site warranty, 3 year warranty and 5 year extended warranty only available in the UK. Rest of the world may vary, please ask your local distributor for more information.

For products with emergency control gear, the extended warranty is limited to **4 years for the emergency components, due to the rated service life of the batteries.



OFFICE LIGHTING COMPLIANT



- Exceeds the requirements of the Society of Light and Lighting's Lighting Guide 7 (SLL LG7) and EN12464-1;
- 65° cut-off angle to limit glare on screens
- UGR of 19 or lower to eliminate discomfort glare to room occupants

In addition to the above, LuxPanel's can also offer exceptional efficacy of over 140 Luminaire lumens per circuit Watt (LLm/W) whilst providing illuminance and uniformity in accordance with the requirements of LG7 and EN12464-1. Many other LED panels can not meet all these requirements.



COMMERCIAL/EDUCATION



15
Epsilon



16
LuxPanel
Backlit



19
LuxPanel
Edgelit



22
Accessories



24
Surface
Modular



27
LuxPanel
Circular



31
LuxPanel
IP65



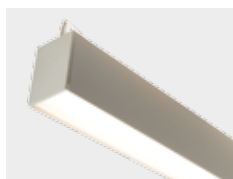
37
LuxPanel
Asymmetric



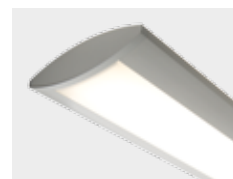
38
Academy



40
ConTech



42
Linea



43
Leren



44
ICE
Linear



45
ICE
Circular

EPSILON

Direct/in-direct recessed luminaire for low glare applications

- Integral sensor versions
- Complies with SLL LG7 requirements



LEP66W025IS40

LUMINAIRE PERFORMANCE

Light Output Ratio: 100%
 Luminaire Efficacy: 119.05 lm/W
 Light Distribution: A40 ↓100.0% ↑0.0%
 CIE Flux Codes: 44 76 95 100 100
 UGR 4H 8H (20%, 50%, 70%)C0 / C90: 18.6 / 19.8

4000K
NEUTRAL
WHITE

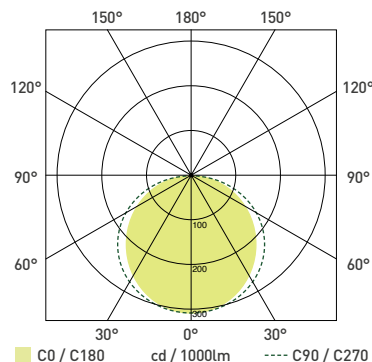
50,000
HOURS

WHITE
FINISH
RAL9016

CRI
>80

CAT NO.	DRIVER	LUMINAIRE LUMENS	WATTAGE	EFFICACY Llm/W	CURRENT
LEP66W025IS40	Standard	2500	21W	119	500mA
LEP66W025IE40	Emergency	2500	21W	119	500mA
LEP66W025ID40	Digital Dimmable	2500	21W	119	500mA
LEP66W025IED40	Emergency Dimmable	2500	21W	119	500mA
LEP66W025ID40PIR	Digital Dimmable	2500	21W	119	500mA
LEP66W025IED40PIR	Emergency Dimmable	2500	21W	119	500mA
LEP66W035IS40	Standard	3500	31W	113	700mA
LEP66W035IE40	Emergency	3500	31W	113	700mA
LEP66W035ID40	Digital Dimmable	3500	31W	113	700mA
LEP66W035IED40	Emergency Dimmable	3500	31W	113	700mA
LEP66W035ID40PIR	Digital Dimmable	3500	31W	113	700mA
LEP66W035IED40PIR	Emergency Dimmable	3500	31W	113	700mA

LUMINOUS INTENSITY

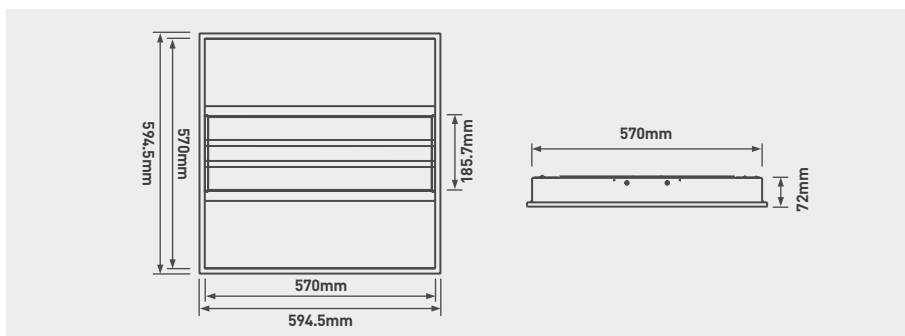
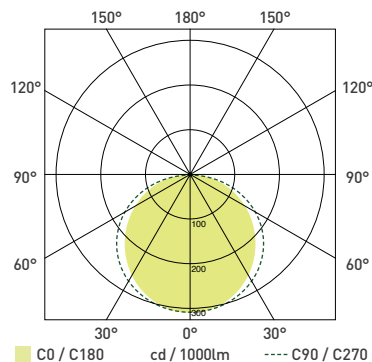


LEP66W035IS40

LUMINAIRE PERFORMANCE

Light Output Ratio: 100%
 Luminaire Efficacy: 114.75 lm/W
 Light Distribution: A40 ↓100.0% ↑0.0%
 CIE Flux Codes: 44 76 95 100 100
 UGR 4H 8H (20%, 50%, 70%)C0 / C90: 19.8 / 21.0

LUMINOUS INTENSITY



LUXPANEL BACKLIT FRAMELESS

600mm x 600mm

High efficacy performance
for maximum energy saving

- 'Frameless' appearance in exposed ceiling grid ceilings
- Up to 13% larger luminous surface compared to framed panels

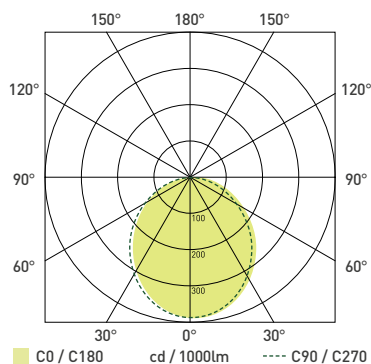


LPB66H25S40

LUMINAIRE PERFORMANCE

Light Output Ratio: 100%
Luminaire Efficacy: 149.62 lm/W
Light Distribution: A40 ↓100.0% ↑0.0%
CIE Flux Codes: 50 81 97 100 100
UGR 4H 8H (20%, 50%, 70%)C0 / C90: 20.02 / 18.5

LUMINOUS INTENSITY



CAT NO.	DRIVER	LUMINAIRE LUMENS	WATTAGE	EFFICACY Llm/W	CURRENT
LPB66H25S40	Standard	2500	17W	147	350mA
LPB66H25D40	Digital Dimmable	2500	17W	147	350mA
LPB66H35S40	Standard	3500	23W	152	500mA
LPB66H35D40	Digital Dimmable	3500	23W	152	500mA

COMPATIBLE ACCESSORIES

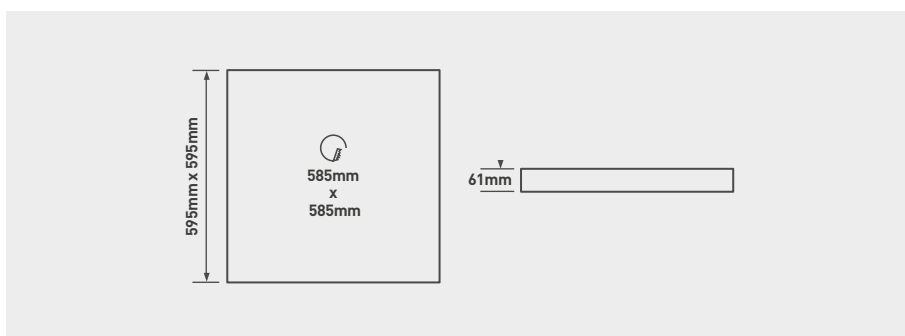
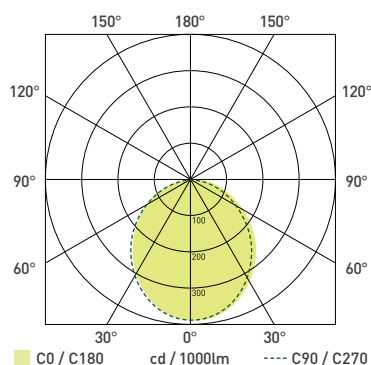
LPF66SCRF - Recess frame
LED3EP80-OJ - Emergency pack
(See page 22 - 23)

LPB66H35S40

LUMINAIRE PERFORMANCE

Light Output Ratio: 100%
Luminaire Efficacy: 153.94 lm/W
Light Distribution: A40 ↓100.0% ↑0.0%
CIE Flux Codes: 50 81 97 100 100
UGR 4H 8H (20%, 50%, 70%)C0 / C90: 21.3 / 19.7

LUMINOUS INTENSITY



LUXPANEL BACKLIT FRAMELESS

1200mm x 300mm

High efficacy performance for maximum energy saving

- 'Frameless' appearance in exposed ceiling grid ceilings
- Up to 13% larger luminous surface compared to framed panels



LPB312H25S40

LUMINAIRE PERFORMANCE

Light Output Ratio: 100%
 Luminaire Efficacy: 154.65 lm/W
 Light Distribution: A40 ↓99.6% ↑0.4%
 CIE Flux Codes: 48 79 96 100 100
 UGR 4H 8H (20%, 50%, 70%)C0 / C90: 19.0 / 19.1

4000K
NEUTRAL
WHITE

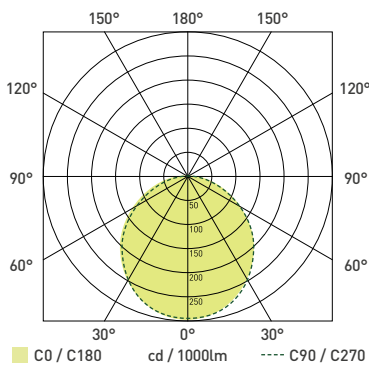
50,000
HOURS

WHITE
FINISH
RAL9016

CRI
>80

CAT NO.	DRIVER	LUMINAIRE LUMENS	WATTAGE	EFFICACY Llm/W	CURRENT
LPB312H25S40	Standard	2500	17W	147	350mA
LPB312H25D40	Digital Dimmable	2500	17W	147	350mA
LPB312H35S40	Standard	3500	23W	152	500mA
LPB312H35D40	Digital Dimmable	3500	23W	152	500mA

LUMINOUS INTENSITY



COMPATIBLE ACCESSORIES

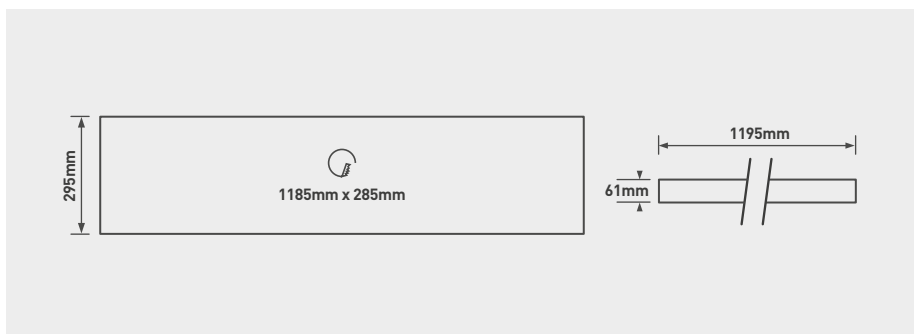
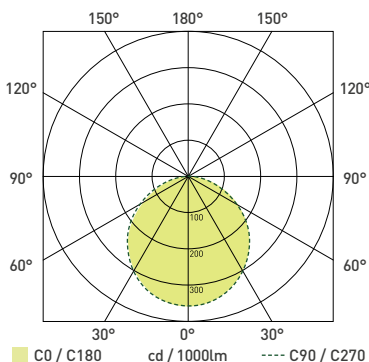
LED3EP80-OJ - Emergency pack
 (See page 23)

LPB312H35S40

LUMINAIRE PERFORMANCE

Light Output Ratio: 100%
 Luminaire Efficacy: 148.4 lm/W
 Light Distribution: A40 ↓99.6% ↑0.4%
 CIE Flux Codes: 48 79 96 100 100
 UGR 4H 8H (20%, 50%, 70%)C0 / C90: 20.1 / 20.3

LUMINOUS INTENSITY



LUXPANEL BACKLIT FRAMELESS

1200mm x 600mm

High efficacy performance
for maximum energy saving

- 'Frameless' appearance in exposed ceiling grid ceilings
- Up to 13% larger luminous surface compared to framed panels

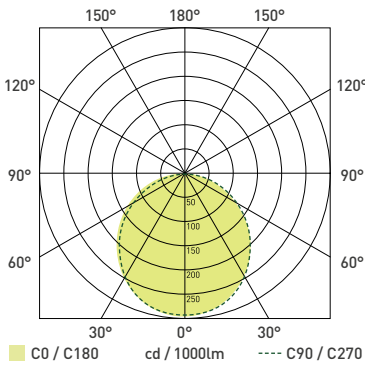


LPB612H50S40

LUMINAIRE PERFORMANCE

Light Output Ratio: 100%
 Luminaire Efficacy: 150.57 lm/W
 Light Distribution: A40 ↓99.6% ↑0.4%
 CIE Flux Codes: 48 79 96 100 83
 UGR 4H 8H (20%, 50%, 70%)C0 / C90:
 18.8 / 18.9

LUMINOUS INTENSITY



4000K
NEUTRAL
WHITE

50,000
HOURS

WHITE FINISH
RAL9016

CRI
>80

CAT NO.	DRIVER	LUMINAIRE LUMENS	WATTAGE	EFFICACY Llm/W	CURRENT
LPB612H50S40	Standard	5000	33W	152	700mA
LPB612H50D40	Digital Dimmable	5000	33W	152	700mA
LPB612H70S40	Standard	7000	47W	149	1050mA
LPB612H70D40	Digital Dimmable	7000	47W	149	1050mA

COMPATIBLE ACCESSORIES

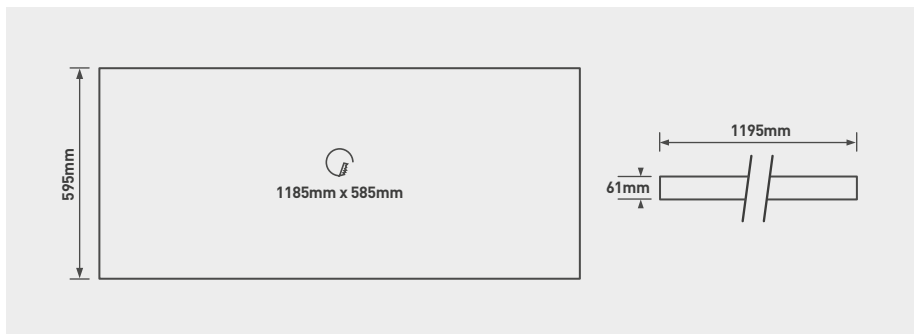
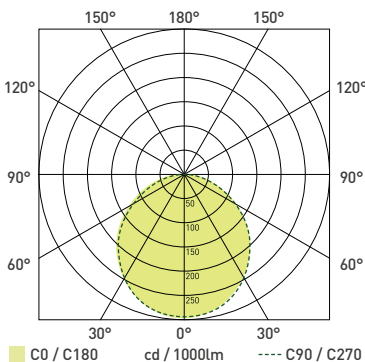
LED3EP80-OJ - Emergency pack
(See page 23)

LPB612H70S40

LUMINAIRE PERFORMANCE

Light Output Ratio: 100%
 Luminaire Efficacy: 150.18 lm/W
 Light Distribution: A40 ↓99.6% ↑0.4%
 CIE Flux Codes: 48 79 96 100 100
 UGR 4H 8H (20%, 50%, 70%)C0 / C90:
 20.0 / 20.2

LUMINOUS INTENSITY



LUXPANEL EDGE LIT FRAMED

600mm x 600mm

Aluminium framed panel in white finish

- TPb diffuser
- Excellent luminous uniformity over diffuser surface

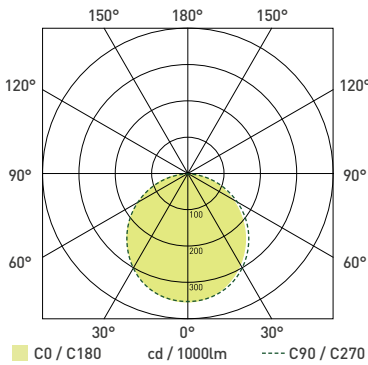


LP66W28S40

LUMINAIRE PERFORMANCE

Light Output Ratio: 100%
 Luminaire Efficacy: 111.99 lm/W
 Light Distribution: A40 ↓100.0% ↑0.0%
 CIE Flux Codes: 47 78 95 100 101
 UGR 4H 8H [20%, 50%, 70%]C0 / C90: 19.2 / 20.2

LUMINOUS INTENSITY



4000K
NEUTRAL
WHITE

50,000
HOURS

WHITE
FINISH
RAL9016

IP44
RATED

CRI
>80

CAT NO.	DRIVER	LUMINAIRE LUMENS	WATTAGE	EFFICACY Lm/W	CURRENT
LP66W28S40	Standard	2800	25W	112	700mA
LP66W28D40	Digital Dimmable	2800	25W	112	700mA
LP66W35S40	Standard	3500	32W	110	900mA
LP66W35D40	Digital Dimmable	3500	32W	110	900mA

COMPATIBLE ACCESSORIES

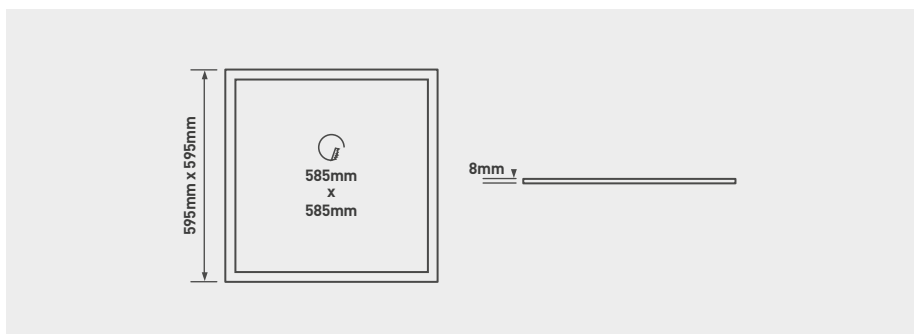
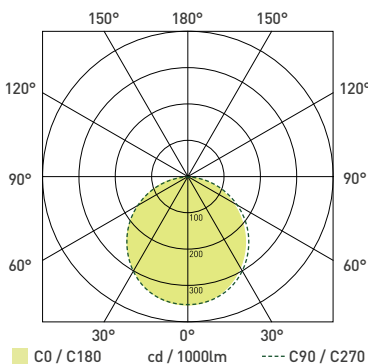
- LPF66W - Surface mounting frame
 - LPF66SCRFF - Recess frame
 - LWSK415 - Wire suspension kit
 - LED3EP80-OJ - Emergency pack
- (See page 22-23)

LP66W35S40

LUMINAIRE PERFORMANCE

Light Output Ratio: 100%
 Luminaire Efficacy: 109.35 lm/W
 Light Distribution: A40 ↓100.0% ↑0.0%
 CIE Flux Codes: 47 78 95 100 101
 UGR 4H 8H [20%, 50%, 70%]C0 / C90: 20.0 / 21.0

LUMINOUS INTENSITY



LUXPANEL

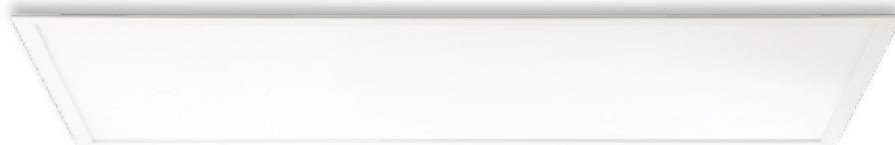
EDGE LIT

FRAMED

1200mm x 300mm

Aluminium framed panel in white finish

- TPb diffuser
- Excellent luminous uniformity over diffuser surface

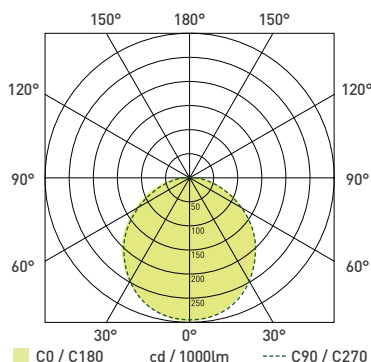


LP312W28S40

LUMINAIRE PERFORMANCE

Light Output Ratio: 100%
 Luminaire Efficacy: 98.61 lm/W
 Light Distribution: A40 ↓99.6% ↑0.4%
 CIE Flux Codes: 48 79 96 100 100
 UGR 4H 8H (20%, 50%, 70%)C0 / C90: 18.2 / 17.6

LUMINOUS INTENSITY



CAT NO.	DRIVER	LUMINAIRE LUMENS	WATTAGE	EFFICACY Lm/W	CURRENT
LP312W28S40	Standard	2800	28W	100	700mA
LP312W28D40	Digital Dimmable	2800	28W	100	700mA
LP312W35S40	Standard	3500	35W	100	900mA
LP312W35D40	Digital Dimmable	3500	35W	100	900mA

COMPATIBLE ACCESSORIES

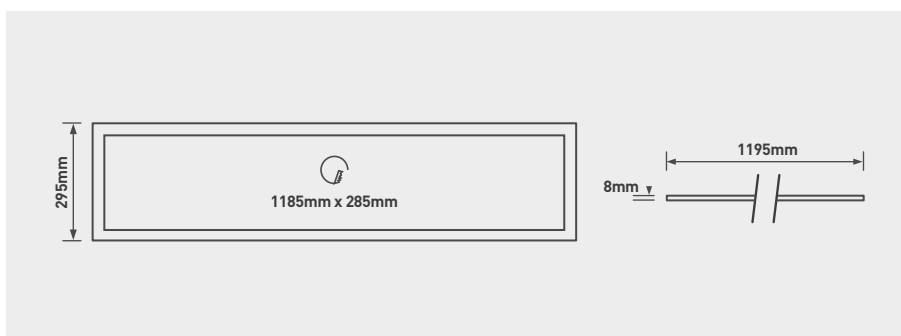
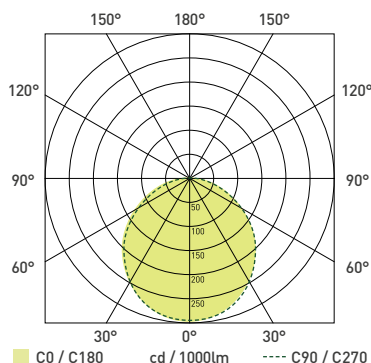
LPF312W - Surface mounting frame
 LWSK415 - Wire suspension kit
 LED3EP80-OJ - Emergency pack
 (See page 22 - 23)

LP312W35S40

LUMINAIRE PERFORMANCE

Light Output Ratio: 100%
 Luminaire Efficacy: 102.18 lm/W
 Light Distribution: A40 ↓99.6% ↑0.4%
 CIE Flux Codes: 48 79 96 100 100
 UGR 4H 8H (20%, 50%, 70%)C0 / C90: 19.0 / 18.5

LUMINOUS INTENSITY



LUXPANEL EDGE LIT FRAMED

1200mm x 600mm

Aluminium framed panel in white finish

- TPb diffuser
- Excellent luminous uniformity over diffuser surface



LP612W50S40

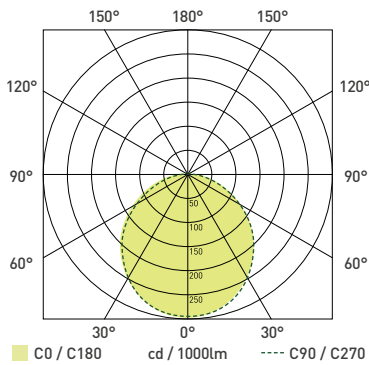
LUMINAIRE PERFORMANCE

Light Output Ratio: 100%
 Luminaire Efficacy: 84.18 lm/W
 Light Distribution: A40 ↓99.6% ↑0.4%
 CIE Flux Codes: 48 79 96 100 100
 UGR 4H 8H (20%, 50%, 70%)C0 / C90: 19.2 / 19.4



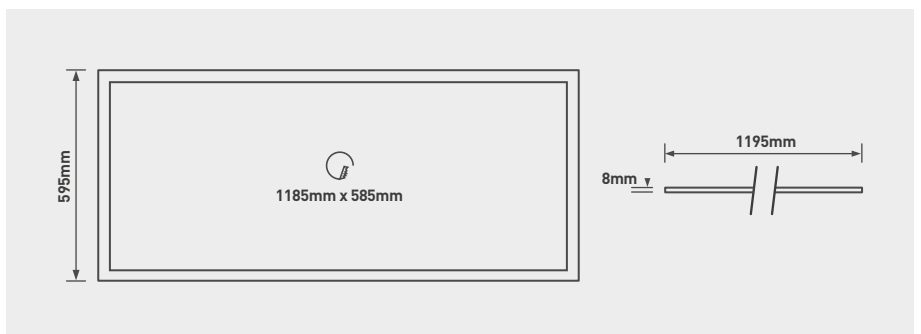
CAT NO.	DRIVER	LUMINAIRE LUMENS	WATTAGE	EFFICACY Llm/W	CURRENT
LP612W50S40	Standard	5000	60W	84	1400mA
LP612W50D40	Digital Dimmable	5000	60W	84	1400mA

LUMINOUS INTENSITY



COMPATIBLE ACCESSORIES

- LPF612W - Surface mounting frame
 - LWSK415 - Wire suspension kit
 - LED3EP80-OJ - Emergency pack
- (See page 22 - 23)



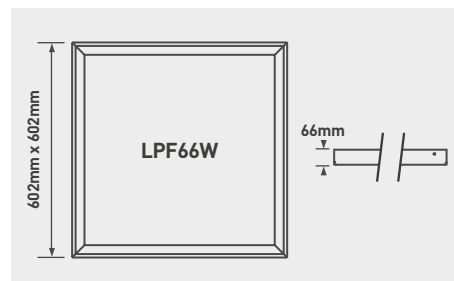
SURFACE MOUNTING FRAME

Surface mounting frame for Edgelit Framed panels.

- Simple on-site assembly
- Space for driver and emergency pack
- Can be surface mounted or suspended with LWSK415
- Knockouts for conduit entry and emergency LED indicator
- 10mm frame width

WHITE
FINISH
RAL9016

CAT NO.	SIZE	WEIGHT
LPF66W	602mm x 602mm x 66mm	1.8kg
LPF612W	1202mm x 602mm x 66mm	2.8kg
LPF312W	1202mm x 302mm x 66mm	2.4kg

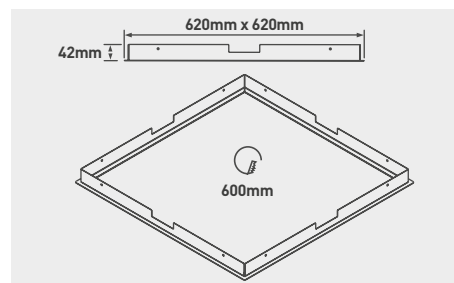


RECESS FRAME

- For use with 600mm x 600mm LuxPanels
- Suitable for installation into plasterboard ceilings up to 15mm thick (See ceiling compatibility chart on pages 34 - 35)
- 25mm frame width

WHITE
FINISH
RAL9016

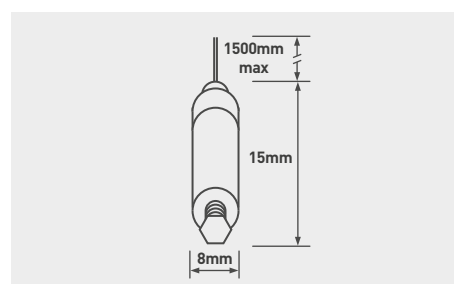
CAT NO.	SIZE	WEIGHT
LPF66SCRF	595mm x 595mm	1.6kg



WIRE SUSPENSION KIT

Wire suspension kit (4 part kit) (for Edgelit Framed only).

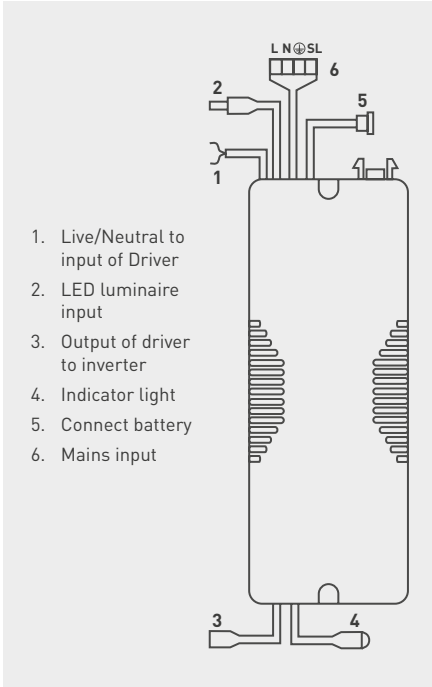
- Compatible with 600mm x 600mm, 600mm x 1200mm (non IP65) Edgelit Framed, (not Backlit)
- Can also be used with surface mounting frames, (LPF66W, LPF312W and LPF612W)



CAT NO.	SIZE
LWSK415	Maximum suspension - 1500mm

EMERGENCY PACK

- Compatible with all LuxPanels, Platinum and Carbon downlights ranges
- Can be retro-fitted to fixed output or dimmable drivers
- Battery pack can be replaced
- Supplied with all required connections and mini bezel for charge indicator



CAT NO.	DESCRIPTION
LED3EP80-0J	Emergency pack



Emergency LED indicator within Surface Frame

LUXPANEL SURFACE MODULAR

600mm x 600mm

Edgelit Framed LuxPanel and surface mounting frame supplied in one package

- Emergency pack accessory fits within mounting Frame
- Can be suspended with LWSK415 Wire Suspension
- Knockouts for conduit entry and emergency LED indicator

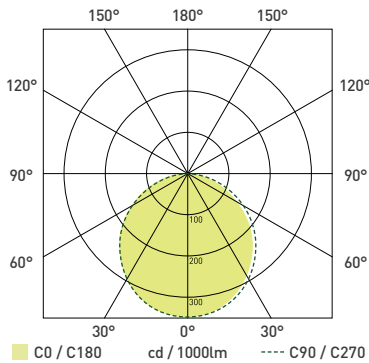


LPS66W28S40

LUMINAIRE PERFORMANCE

Light Output Ratio: 100%
 Luminaire Efficacy: 112.02 lm/W
 Light Distribution: A40 ↓100.0% ↑0.0%
 CIE Flux Codes: 47 78 95 100 100
 UGR 4H 8H (20%, 50%, 70%)C0 / C90: 18.0 / 19.0

LUMINOUS INTENSITY



4000K
NEUTRAL
WHITE

50,000
HOURS

WHITE FINISH
RAL9016

CRI
>80

CAT NO.	DRIVER	LUMINAIRE LUMENS	WATTAGE	EFFICACY Llm/W	CURRENT
LPS66W28S40	Standard	2800	25W	112	700mA
LPS66W28D40	Digital Dimmable	2800	25W	112	700mA
LPS66W35S40	Standard	3500	32W	110	900mA
LPS66W35D40	Digital Dimmable	3500	32W	110	900mA

COMPATIBLE ACCESSORIES

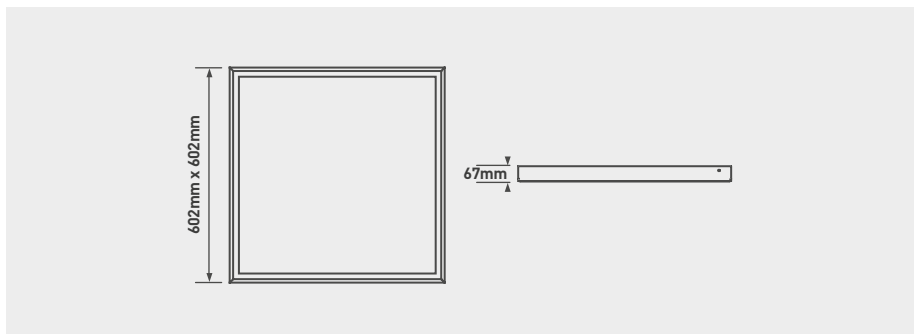
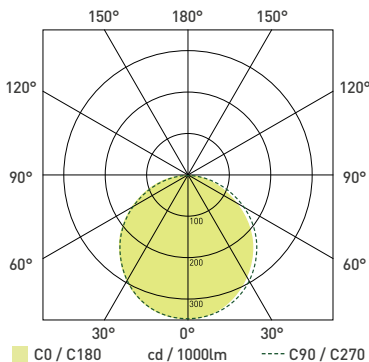
LED3EP80-OJ - Emergency pack
 (See page 23)

LPS66W35S40

LUMINAIRE PERFORMANCE

Light Output Ratio: 100%
 Luminaire Efficacy: 109.39 lm/W
 Light Distribution: A40 ↓100.0% ↑0.0%
 CIE Flux Codes: 47 78 95 100 100
 UGR 4H 8H (20%, 50%, 70%)C0 / C90: 18.8 / 19.8

LUMINOUS INTENSITY



LUXPANEL SURFACE MODULAR

1200mm x 300mm

Edgelit Framed LuxPanel and surface mounting frame supplied in one package

- Emergency pack accessory fits within mounting Frame
- Can be suspended with LWSK415 Wire Suspension
- Knockouts for conduit entry and emergency LED indicator

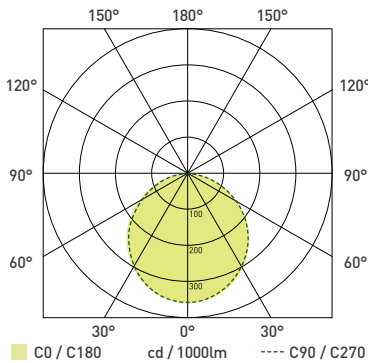


LPS312W28S40

LUMINAIRE PERFORMANCE

Light Output Ratio: 100%
 Luminaire Efficacy: 110.26 lm/W
 Light Distribution: A40 ↓99.6% ↑0.4%
 CIE Flux Codes: 48 79 96 100 100
 UGR 4H 8H (20%, 50%, 70%)C0 / C90: 18.2 / 17.6

LUMINOUS INTENSITY



4000K
NEUTRAL
WHITE

50,000
HOURS

WHITE
FINISH
RAL9016

CRI
>80

CAT NO.	DRIVER	LUMINAIRE LUMENS	WATTAGE	EFFICACY Lm/W	CURRENT
LPS312W28S40	Standard	2800	28W	100	700mA
LPS312W28D40	Digital Dimmable	2800	28W	100	700mA
LPS312W35S40	Standard	3500	35W	100	900mA
LPS312W35D40	Digital Dimmable	3500	35W	100	900mA

COMPATIBLE ACCESSORIES

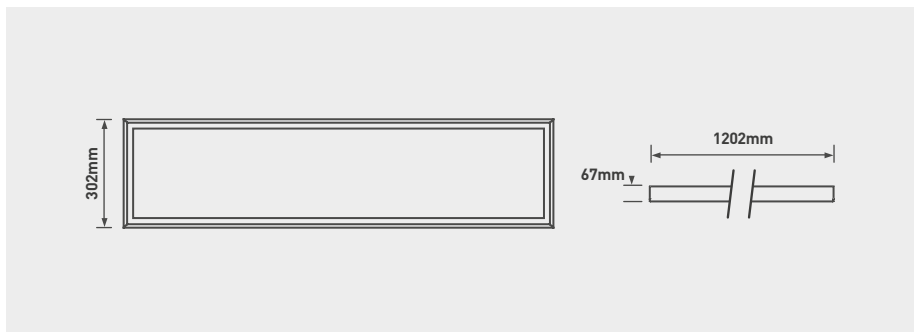
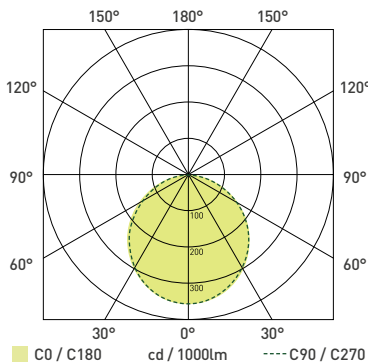
LED3EP80-OJ - Emergency pack
 (See page 23)

LPS312W35S40

LUMINAIRE PERFORMANCE

Light Output Ratio: 100%
 Luminaire Efficacy: 111.76 lm/W
 Light Distribution: A40 ↓99.6% ↑0.4%
 CIE Flux Codes: 48 79 96 100 100
 UGR 4H 8H (20%, 50%, 70%)C0 / C90: 19.0 / 18.5

LUMINOUS INTENSITY



LUXPANEL SURFACE MODULAR

1200mm x 600mm

Edgelit Framed LuxPanel and surface mounting frame supplied in one package

- Emergency pack accessory fits within mounting Frame
- Can be suspended with LWSK415 Wire Suspension
- Knockouts for conduit entry and emergency LED indicator



LPS612W50S40

LUMINAIRE PERFORMANCE

Light Output Ratio: 100%
 Luminaire Efficacy: 84.18 lm/W
 Light Distribution: A40 ↓99.6% ↑0.4%
 CIE Flux Codes: 48 79 96 100 100
 UGR 4H 8H (20%, 50%, 70%)C0 / C90: 18.4 / 18.3

4000K
NEUTRAL
WHITE

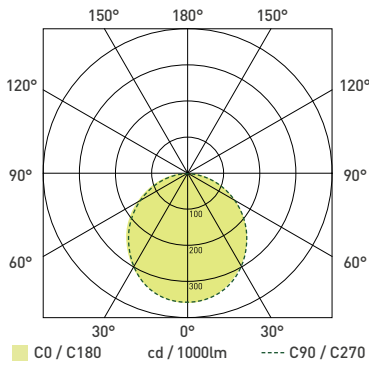
50,000
HOURS

WHITE
FINISH
RAL9016

CRI
>80

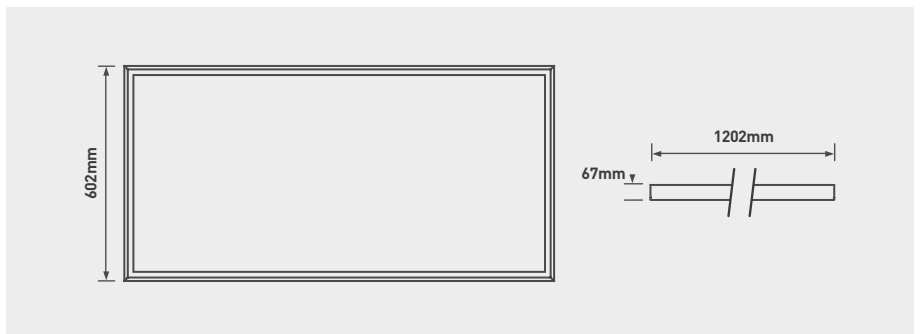
CAT NO.	DRIVER	LUMINAIRE LUMENS	WATTAGE	EFFICACY Llm/W	CURRENT
LPS612W50S40	Standard	5000	60W	84	1400mA
LPS612W50D40	Digital Dimmable	5000	60W	84	1400mA

LUMINOUS INTENSITY



COMPATIBLE ACCESSORIES

LED3EP80-0J - Emergency pack
 (See page 23)



LUXPANEL CIRCULAR EDGE LIT

Ø240mm

Slim framed panel providing excellent luminous uniformity

- Supplied with standard or dimmable remote driver

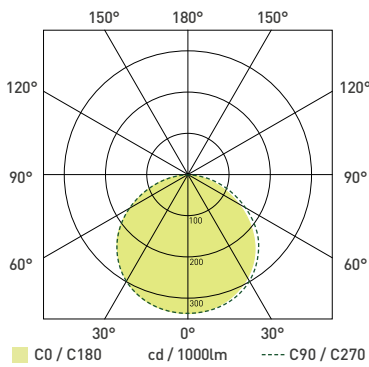


LP240WS40

LUMINAIRE PERFORMANCE

Light Output Ratio: 100%
 Luminaire Efficacy: 88 lm/W
 Light Distribution: A40 ↓100.0% ↑0.0%
 CIE Flux Codes: 46 79 96 100 101
 UGR 4H 8H (20%, 50%, 70%)C0 / C90: 24.0 / 25.3

LUMINOUS INTENSITY



4000K
NEUTRAL
WHITE

50,000
HOURS

WHITE
FINISH
RAL9016

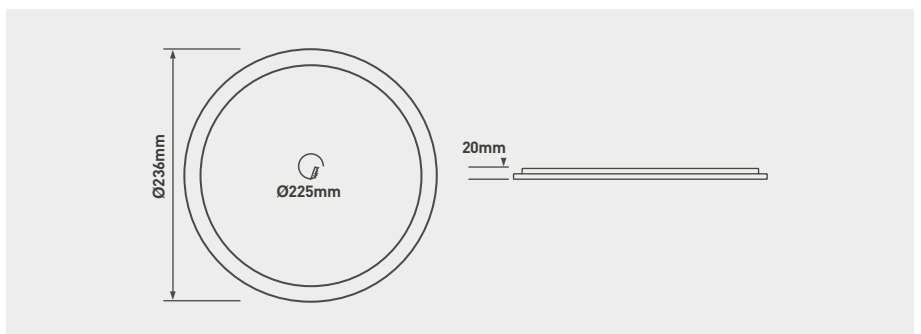
IP44
RATED

CRI
>80

CAT NO.	DRIVER	LUMINAIRE LUMENS	WATTAGE	EFFICACY Llm/W	CURRENT
LP240WS40	Standard	1260	14W	90	300mA
LP240WD40	Digital Dimmable	1260	14W	90	300mA
LP240HWS40	Standard	1470	16W	90	350mA
LP240HWD40	Digital Dimmable	1470	16W	90	350mA

COMPATIBLE ACCESSORIES

LED3EP80-OJ - Emergency pack
 (See page 23)



LUXPANEL CIRCULAR EDGE LIT

Ø180mm

Slim framed panel providing excellent luminous uniformity

- Supplied with standard or dimmable remote driver



LP180WS40

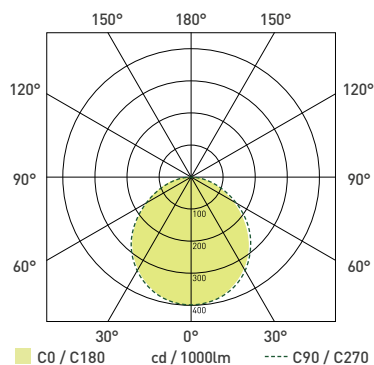
LUMINAIRE PERFORMANCE

Light Output Ratio: 100%
 Luminaire Efficacy: 90.59 lm/W
 Light Distribution: A40 ↓99.9% ↑0.1%
 CIE Flux Codes: 49 81 97 100 100
 UGR 4H 8H (20%, 50%, 70%)C0 / C90: 24.7 / 25.7



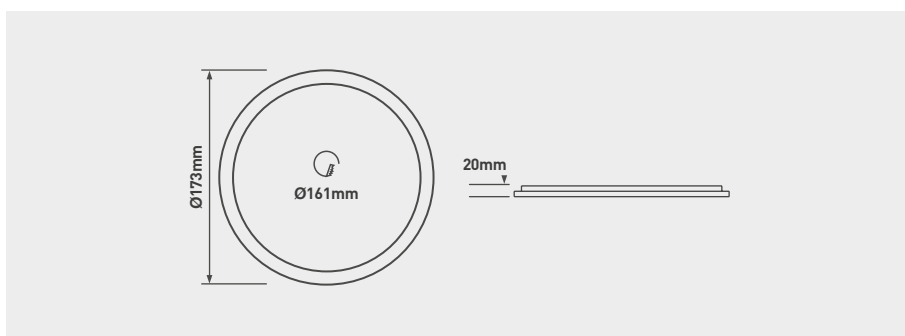
CAT NO.	DRIVER	LUMINAIRE LUMENS	WATTAGE	EFFICACY Llm/W	CURRENT
LP180WS40	Standard	900	10W	90	300mA
LP180WD40	Digital Dimmable	900	10W	90	300mA

LUMINOUS INTENSITY



COMPATIBLE ACCESSORIES

LED3EP80-OJ - Emergency pack
 (See page 23)



LUXPANEL CIRCULAR EDGE LIT

Ø150mm

Slim framed panel providing excellent luminous uniformity

- Supplied with standard or dimmable remote driver



LP150WS40

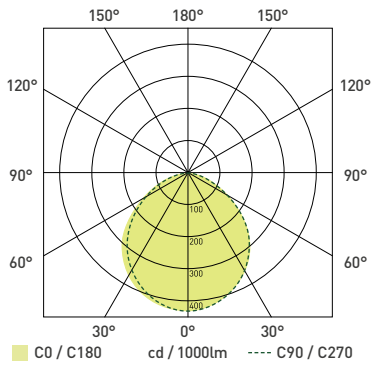
LUMINAIRE PERFORMANCE

Light Output Ratio: 100%
 Luminaire Efficacy: 76.02 lm/W
 Light Distribution: A40 ↓99.9% ↑0.1%
 CIE Flux Codes: 52 85 98 100 100
 UGR 4H 8H (20%, 50%, 70%)C0 / C90: 24.0 / 24.9



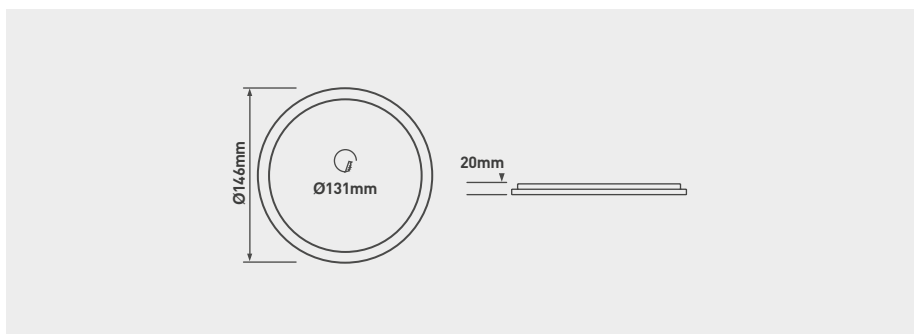
CAT NO.	DRIVER	LUMINAIRE LUMENS	WATTAGE	EFFICACY Llm/W	CURRENT
LP150WS40	Standard	675	9W	75	350mA
LP150WD40	Digital Dimmable	675	9W	75	350mA

LUMINOUS INTENSITY



COMPATIBLE ACCESSORIES

LED3EP80-0J - Emergency pack
 (See page 23)



LUXPANEL

CIRCULAR

EDGE LIT

Ø120mm

Slim framed panel providing excellent luminous uniformity

- Supplied with standard or dimmable remote driver

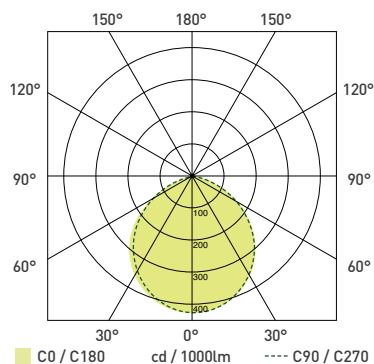


LP120WS40

LUMINAIRE PERFORMANCE

Light Output Ratio: 100%
 Luminaire Efficacy: 65.55lm/W
 Light Distribution: A40 ↓99.9% ↑0.1%
 CIE Flux Codes: 52 85 98 100 100
 UGR 4H 8H (20%, 50%, 70%)C0 / C90: 23.8 / 24.7

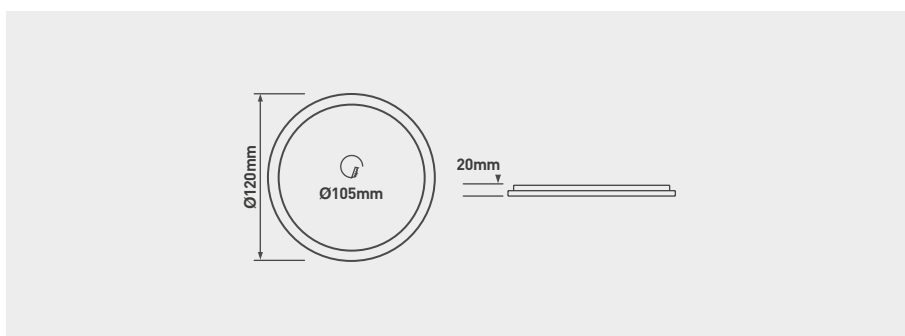
LUMINOUS INTENSITY



CAT NO.	DRIVER	LUMINAIRE LUMENS	WATTAGE	EFFICACY Llm/W	CURRENT
LP120WS40	Standard	390	6W	65	350mA
LP120WD40	Digital Dimmable	390	6W	65	350mA

COMPATIBLE ACCESSORIES

LED3EP80-0J - Emergency pack
 (See page 23)



LUXPANEL IP65 EDGELIT FRAMED

600mm x 600mm

Ingress Protection applies when installed

- IP20 rating within ceiling void

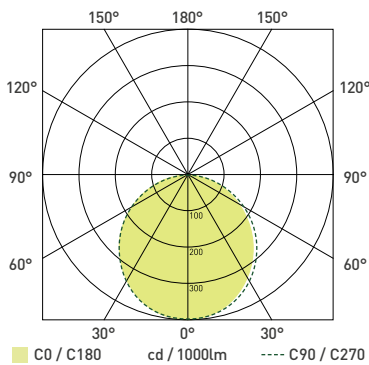


LP66IP35S40

LUMINAIRE PERFORMANCE

Light Output Ratio: 100%
 Luminaire Efficacy: 109.39 lm/W
 Light Distribution: A40 ↓100.0% ↑0.0%
 CIE Flux Codes: 47 78 95 100 100
 UGR 4H 8H (20%, 50%, 70%)C0 / C90: 20.0 / 21.0

LUMINOUS INTENSITY



4000K
NEUTRAL
WHITE

50,000
HOURS

WHITE
FINISH
RAL9016

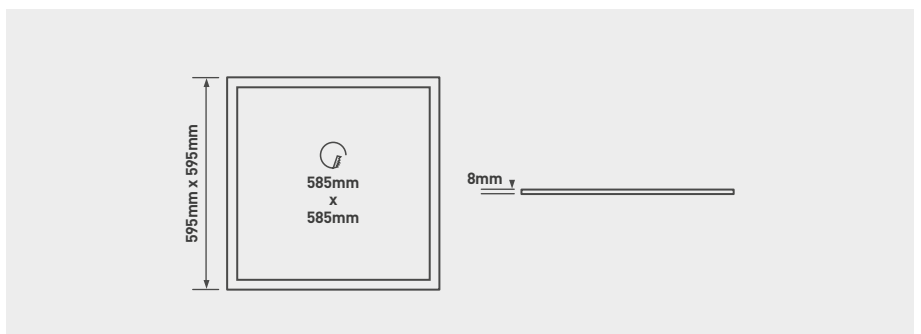
IP65
RATED

CRI
>80

CAT NO.	DRIVER	LUMINAIRE LUMENS	WATTAGE	EFFICACY Llm/W	CURRENT
LP66IP35S40	Standard	3500	32W	110	900mA
LP66IP35D40	Digital Dimmable	3500	32W	110	900mA

COMPATIBLE ACCESSORIES

LED3EP80-0J - Emergency pack
 (See page 23)



LUXPANEL IP65 EDGELIT FRAMED

1200mm x 600mm

Ingress Protection applies when installed

- IP20 rating within ceiling void



LP612IP50S40

LUMINAIRE PERFORMANCE

Light Output Ratio: 100%
 Luminaire Efficacy: 84.18 lm/W
 Light Distribution: A40 ↓99.6% ↑0.4%
 CIE Flux Codes: 48 79 96 100 100
 UGR 4H 8H (20%, 50%, 70%)C0 / C90: 19.2 / 19.4

4000K
NEUTRAL
WHITE

50,000
HOURS

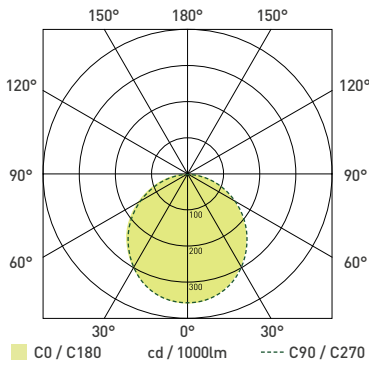
WHITE
FINISH
RAL9016

IP65
RATED

CRI
>80

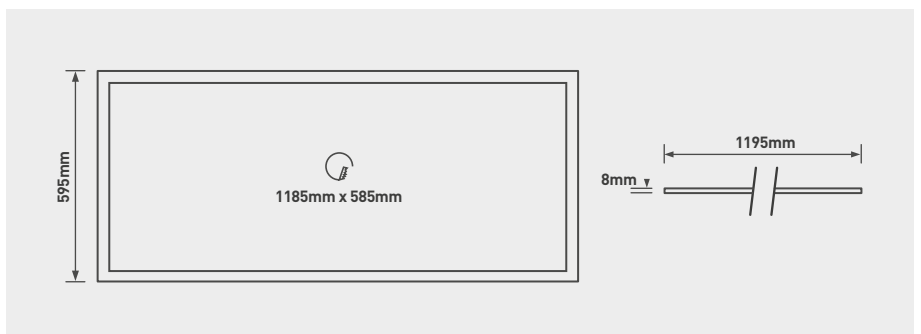
CAT NO.	DRIVER	LUMINAIRE LUMENS	WATTAGE	EFFICACY Llm/W	CURRENT
LP612IP50S40	Standard	5000	60W	84	1400mA
LP612IP50D40	Digital Dimmable	5000	60W	84	1400mA

LUMINOUS INTENSITY



COMPATIBLE ACCESSORIES

LED3EP80-0J - Emergency pack
 (See page 23)



LUXPANEL IP65 CIRCULAR EDGE LIT

Ø240mm

Ingress Protection applies when installed

- IP20 rating within ceiling void



LPIP240WS40

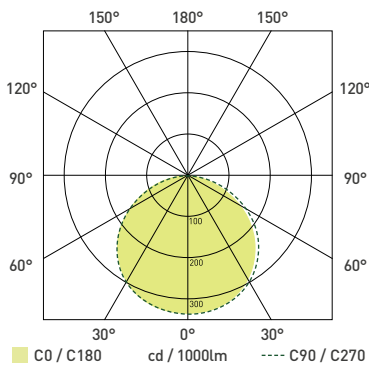
LUMINAIRE PERFORMANCE

Light Output Ratio: 100%
 Luminaire Efficacy: 77 lm/W
 Light Distribution: A40 ↓100% ↑0.0%
 CIE Flux Codes: 46 79 96 100 101
 UGR 4H 8H (20%, 50%, 70%)C0 / C90: 24.0 / 25.3



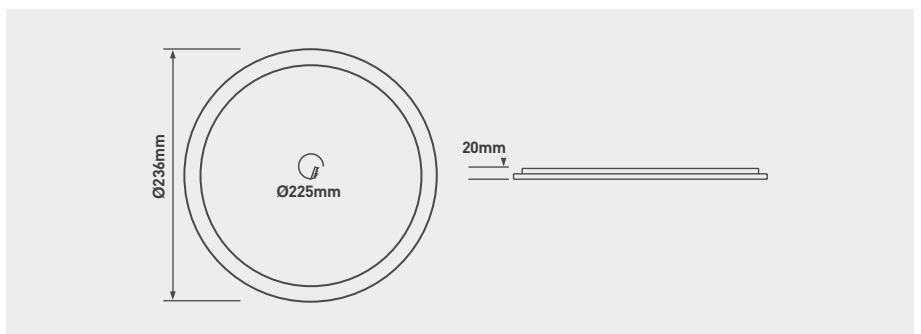
CAT NO.	DRIVER	LUMINAIRE LUMENS	WATTAGE	EFFICACY Llm/W	CURRENT
LPIP240WS40	Standard	1200	16W	75	350mA
LPIP240WD40	Digital Dimmable	1200	16W	75	350mA

LUMINOUS INTENSITY



COMPATIBLE ACCESSORIES

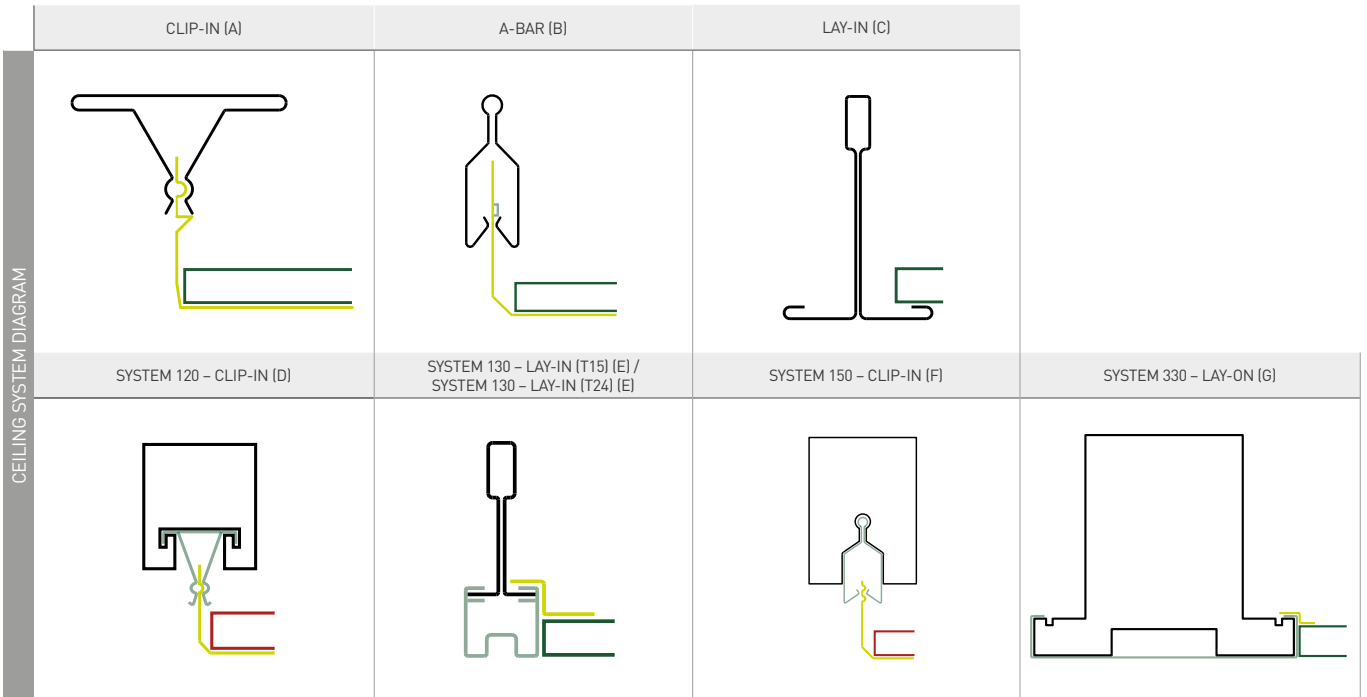
LED3EP80-OJ - Emergency pack
 (See page 23)



CEILING COMPATIBILITY MATRIX

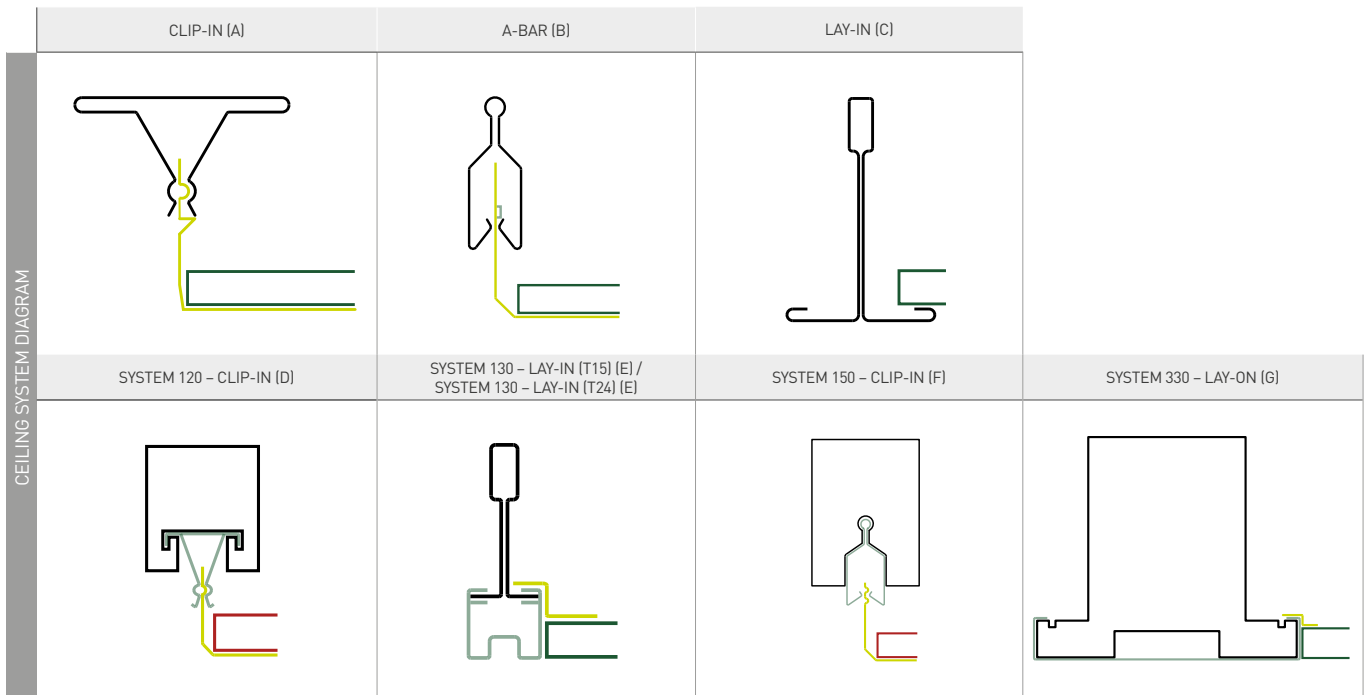
		LUMINAIRE TYPE															
		EPSILON - LEP66	LUXPANEL - BACKLIT FRAMELESS - LPB66	LUXPANEL - BACKLIT FRAMELESS - LPB612	LUXPANEL - BACKLIT FRAMELESS - LPB312	LUXPANEL - EDGELIT FRAMED - LP66	LUXPANEL - EDGELIT FRAMED - LP612	LUXPANEL - EDGELIT FRAMED - LP312	LUXPANEL - CIRCULAR EDGELIT Ø240MM - LP120	LUXPANEL - CIRCULAR EDGELIT Ø180MM - LP150	LUXPANEL - CIRCULAR EDGELIT Ø150MM - LP180	LUXPANEL - CIRCULAR EDGELIT Ø120MM - LP240	LUXPANEL - IP65 EDGELIT FRAMED 600X600MM - LP66IP	LUXPANEL - IP65 EDGELIT FRAMED 1200X300MM - LP612IP	LUXPANEL - IP65 EDGELIT FRAMED 1200X600MM - LP612IP	LUXPANEL - IP65 CIRCULAR EDGELIT Ø240MM - LPIP240	ASYMMETRIC WALLWASHER - LPA16
BURGESS AP	CLIP-IN (A)	X	X	X	X	B ¹	B ²	B ²	✓	✓	✓	✓	B ¹	B ²	B ²	✓	X
	A-BAR (B)	X	X	X	X	B ¹	B ²	B ²	✓	✓	✓	✓	B ¹	B ²	B ²	✓	X
	LAY-IN (C)	✓	✓	✓	✓	✓	✓	✓	✓	✓	✓	✓	✓	✓	✓	✓	✓
SAS INTERNATIONAL	SYSTEM 120 - CLIP-IN (D)	X	X	X	X	X	X	X	✓	✓	✓	✓	X	X	X	✓	X
	SYSTEM 130 - LAY-IN (T15) (E)	X	X	X	X	B ⁴	B ⁴	B ⁴	✓	✓	✓	✓	B ⁴	B ⁴	B ⁴	✓	X
	SYSTEM 130 - LAY-IN (T24) (E)	X	X	X	X	B ⁴	B ⁴	B ⁴	✓	✓	✓	✓	B ⁴	B ⁴	B ⁴	✓	X
	SYSTEM 150 - CLIP-IN (F)	X	X	X	X	X	X	X	✓	✓	✓	✓	X	X	X	✓	X
	SYSTEM 330 - LAY-ON (G)	X	X	X	X	B ⁴	B ⁴	B ⁴	✓	✓	✓	✓	B ⁴	B ⁴	B ⁴	✓	X
OTHER	PLASTERBOARD (6mm)	B ³	B ³	B ³	B ³	B ³	B ³	B ³	✓	✓	✓	✓	B ³	B ³	B ³	✓	B ³
	PLASTERBOARD (12.5mm)	B ³	B ³	B ³	B ³	B ³	B ³	B ³	✓	✓	✓	✓	B ³	B ³	B ³	✓	B ³
	PLASTERBOARD (25mm)	B ³	X	X	X	X	X	X	X	X	X	X	X	X	X	X	B ³
	MINERAL FIBRE	B ³	B ³	B ³	B ³	B ³	B ³	B ³	✓	✓	✓	✓	B ⁴	B ³	B ³	✓	B ³

KEY	
✓	Product as Standard
X	Not Compatible
B	Luceco Bespoke Solution
1	Burgess Clip-In Frame
2	Burgess Clip-In Frame + Support Bracket
3	Recessed Frame MOQ required
4	Recessed Frame



		LUMINAIRE TYPE														
		ASYMMETRIC WALLWASHER - LPA112	DOWNLIGHTS - PLATINUM - LDP20	DOWNLIGHTS - PLATINUM MINI - LDP15	DOWNLIGHTS - CARBON Ø230MM - LBDL8IN	DOWNLIGHTS - CARBON Ø200MM - LBDL6IN	DOWNLIGHTS - CARBON Ø150MM - LBDL4IN	DOWNLIGHTS - CARBON Ø110MM - LBDL3IN	DOWNLIGHTS - FIRE RATED ATOM LFR	DOWNLIGHTS - SQUARE - LDSW4S40	DOWNLIGHTS - SQUARE - LDSWT2S40	DOWNLIGHTS - SINGLE SQUARE MODULE - LMSRW20S40	DOWNLIGHTS - TWIN SQUARE MODULE - LMSRW40S40	WALLWASHER - ROUND - LWCW20S40	WALLWASHER - ROUND - LWCW34S40	PULL OUT SPOT - ROUND - LSRW20S40
BURGESS AP	CLIP-IN (A)	✗	✗	✗	✓	✓	✓	✓	✓	✓	✓	✓	✓	✓	✓	✓
	A-BAR (B)	✗	✗	✗	✓	✓	✓	✓	✓	✓	✓	✓	✓	✓	✓	✓
	LAY-IN (C)	✓	✗	✗	✓	✓	✓	✓	✓	✓	✓	✓	✓	✓	✓	✓
SAS INTERNATIONAL	SYSTEM 120 - CLIP-IN (D)	✗	✗	✗	✓	✓	✓	✓	✓	✓	✓	✓	✓	✓	✓	✓
	SYSTEM 130 - LAY-IN (T15) (E)	✗	✗	✗	✓	✓	✓	✓	✓	✓	✓	✓	✓	✓	✓	✓
	SYSTEM 130 - LAY-IN (T24) (E)	✗	✗	✗	✓	✓	✓	✓	✓	✓	✓	✓	✓	✓	✓	✓
	SYSTEM 150 - CLIP-IN (F)	✗	✗	✗	✓	✓	✓	✓	✓	✓	✓	✓	✓	✓	✓	✓
	SYSTEM 330 - LAY-ON (G)	✗	✗	✗	✓	✓	✓	✓	✓	✓	✓	✓	✓	✓	✓	✓
OTHER	PLASTERBOARD (6mm)	B ³	✓	✓	✓	✓	✓	✓	✓	✓	✓	✓	✓	✓	✓	✓
	PLASTERBOARD (12.5mm)	B ³	✓	✓	✓	✓	✓	✓	✓	✓	✓	✓	✓	✓	✓	✓
	PLASTERBOARD (25mm)	B ³	✓	✓	✗	✗	✗	✗	✗	✓	✗	✗	✗	✗	✗	✗
	MINERAL FIBRE	B ³	✓	✓	✓	✓	✓	✓	✓	✓	✓	✓	✓	✓	✓	✓

KEY	
✓	Product as Standard
✗	Not Compatible
B	Luceco Bespoke Solution
1	Burgess Clip-In Frame
2	Burgess Clip-In Frame + Support Bracket
3	Recessed Frame MOQ required
4	Recessed Frame





LUXPANEL

ASYMMETRIC

RECESSED

Suitable for wallwasher or other accent lighting applications

- Remote driver in standard or dimmable options

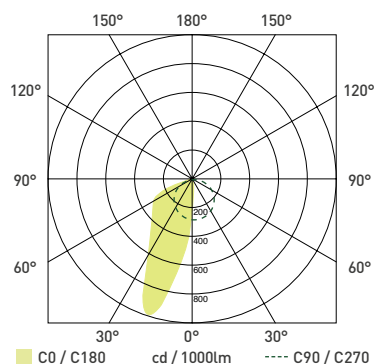


LPA16W22S40

LUMINAIRE PERFORMANCE

Light Output Ratio: 100%
 Luminaire Efficacy: 100.24 lm/W
 Light Distribution: A40 ↓99.3% ↑0.7%
 CIE Flux Codes: 54 84 98 99 100
 UGR 4H 8H (20%, 50%, 70%)C0 / C90: <10.0 / 26.0

LUMINOUS INTENSITY



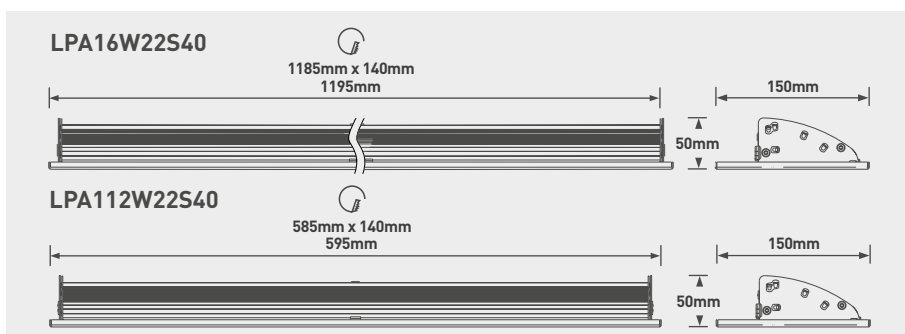
4000K
NEUTRAL
WHITE

50,000
HOURS

WHITE
FINISH
RAL9016

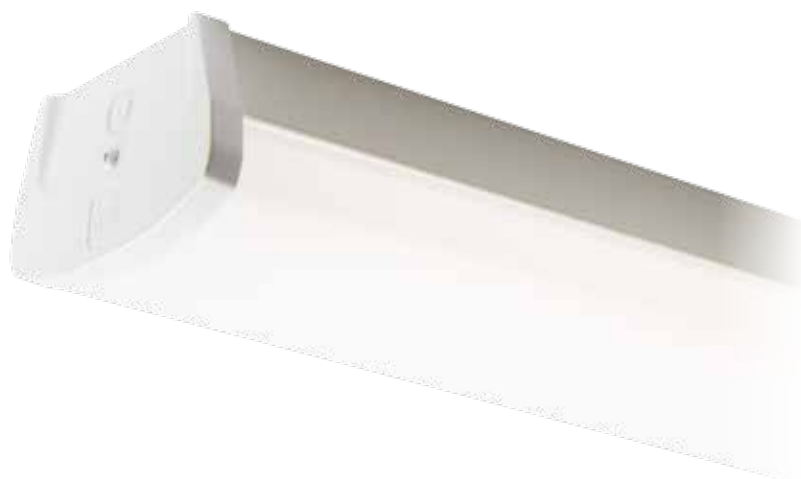
CRI
>80

CAT NO.	DRIVER	LUMINAIRE LUMENS	WATTAGE	EFFICACY Llm/W	CURRENT
LPA16W22S40	Standard	2200	22W	100	500mA
LPA16W22D40	Digital Dimmable	2200	22W	100	500mA
LPA112W44S40	Standard	4400	44W	100	1050mA
LPA112W44D40	Digital Dimmable	4400	44W	100	1050mA



ACADEMY

OPAL PRISM



Surface/suspended LED array
replacement for fluorescent

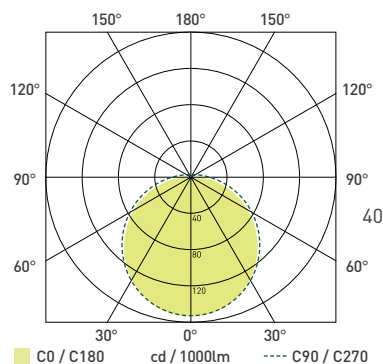
- Screwed end caps and polycarbonate diffuser, ideal for educational applications
- Opal prisms for reduced glare

LAC12P22S40

LUMINAIRE PERFORMANCE

Light Output Ratio: 100%
Luminaire Efficacy: 122 lm/W
Light Distribution: A40 ↓93.4% ↑6.6%
CIE Flux Codes: 43 73 92 93 51
UGR 4H 8H (20%, 50%, 70%)C0 / C90: 18.4 / 21.7

LUMINOUS INTENSITY

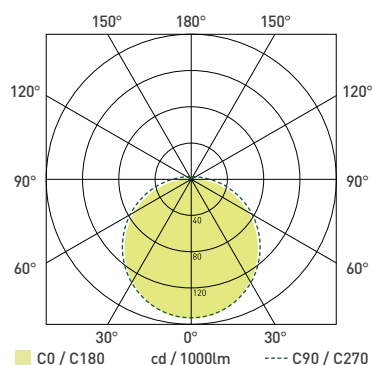


LAC15P32S40

LUMINAIRE PERFORMANCE

Light Output Ratio: 100%
Luminaire Efficacy: 114 lm/W
Light Distribution: B31 ↓88.8% ↑11.2%
CIE Flux Codes: 41 71 90 89 50
UGR 4H 8H (20%, 50%, 70%)C0 / C90: 20.0 / 21.3

LUMINOUS INTENSITY



CAT NO.	DRIVER	Size	LUMINAIRE LUMENS	WATTAGE	EFFICACY Llm/W	CURRENT
LAC12P22S40	Standard	4ft / 1260mm	2200	18W	122	350mA
LAC12P22E40	Emergency	4ft / 1260mm	2200	18W	122	350mA
LAC12P22D40	Digital Dimmable	4ft / 1260mm	2200	18W	122	350mA
LAC12P22ED40	Emergency Dim	4ft / 1260mm	2200	18W	122	350mA
LAC12P22S40MW	Microwave	4ft / 1260mm	2200	18W	122	350mA
LAC12P40S40	Standard	4ft / 1260mm	4000	36W	111	700mA
LAC12P40E40	Emergency	4ft / 1260mm	4000	36W	111	700mA
LAC12P40D40	Digital Dimmable	4ft / 1260mm	4000	36W	111	700mA
LAC12P40ED40	Emergency Dim	4ft / 1260mm	4000	36W	111	700mA
LAC12P40S40MW	Microwave	4ft / 1260mm	4000	36W	111	700mA
LAC15P32S40	Standard	5ft / 1560mm	3200	28W	114	550mA
LAC15P32E40	Emergency	5ft / 1560mm	3200	28W	114	550mA
LAC12P22D40	Digital Dimmable	5ft / 1560mm	3200	28W	114	550mA
LAC15P32D40	Emergency Dim	5ft / 1560mm	3200	28W	114	550mA
LAC15P32S40MW	Microwave	5ft / 1560mm	3200	28W	114	550mA
LAC15P60S40	Standard	5ft / 1560mm	6000	52W	115	1050mA
LAC15P60E40	Emergency	5ft / 1560mm	6000	52W	115	1050mA
LAC15P60D40	Digital Dimmable	5ft / 1560mm	6000	52W	115	1050mA
LAC15P60ED40	Emergency Dim	5ft / 1560mm	6000	52W	115	1050mA
LAC15P60S40MW	Microwave	5ft / 1560mm	6000	52W	115	1050mA
LAC18P45S40	Standard	6ft / 1825mm	4500	40W	113	800mA
LAC18P45E40	Emergency	6ft / 1825mm	4500	40W	113	800mA
LAC18P45D40	Digital Dimmable	6ft / 1825mm	4500	40W	113	800mA
LAC18P45ED40	Emergency Dim	6ft / 1825mm	4500	40W	113	800mA
LAC18P45S40MW	Microwave	6ft / 1825mm	4500	40W	113	800mA
LAC18P80S40	Standard	6ft / 1825mm	8000	69W	116	1400mA
LAC18P80E40	Emergency	6ft / 1825mm	8000	69W	116	1400mA
LAC18P80D40	Digital Dimmable	6ft / 1825mm	8000	69W	116	1400mA
LAC18P80ED40	Emergency Dim	6ft / 1825mm	8000	69W	116	1400mA
LAC18P80S40MW	Microwave	6ft / 1825mm	8000	69W	116	1400mA

COMPATIBLE ACCESSORIES

LWSK415 - Wire suspension kit
(See page 22)

*Refer to clear prism for line drawing

ACADEMY CLEAR PRISM



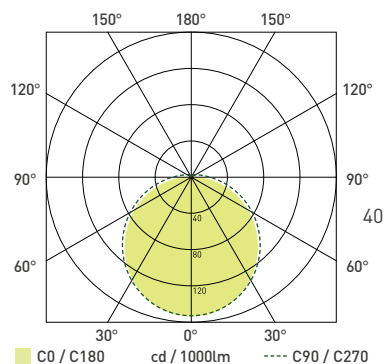
Surface/suspended LED T8 tube replacement for fluorescent

- Screwed end caps and polycarbonate diffuser, ideal for educational applications
- Clear prisms to maximise output

LACT12P38S40 LUMINAIRE PERFORMANCE

Light Output Ratio: 100%
 Luminaire Efficacy: 79.16 lm/W
 Light Distribution: A41 ↓93.4% ↑6.6%
 CIE Flux Codes: 43 73 92 93 51
 UGR 4H 8H (20%, 50%, 70%)C0 / C90: 20.7 / 23.4

LUMINOUS INTENSITY



4000K
NEUTRAL
WHITE

30,000
HOURS

WHITE
FINISH
RAL9016

CRI
>80

CAT NO.	DRIVER	SIZE	LUMINAIRE LUMENS	WATTAGE	EFFICACY Llm/W
LACT12P38S40	Standard	4ft / 1260mm	3800	48W	80
LACT12P38E40	Emergency	4ft / 1260mm	3800	48W	80
LACT15P51S40	Standard	5ft / 1560mm	5120	64W	80
LACT15P51E40	Emergency	5ft / 1560mm	5120	64W	80
LACT18P64S40	Standard	6ft / 1825mm	6400	80W	80
LACT18P64E40	Emergency	6ft / 1825mm	6400	80W	80

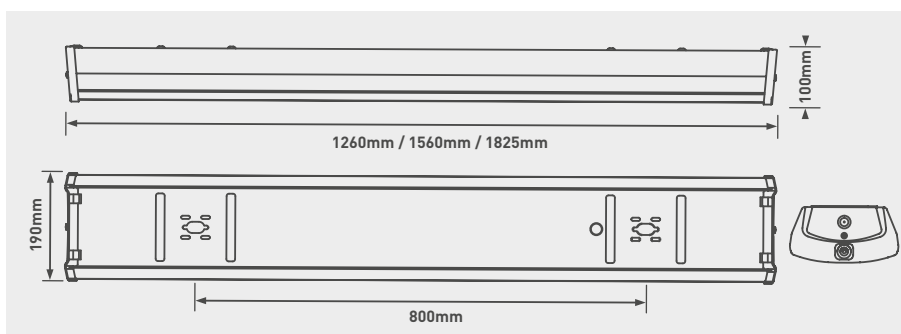
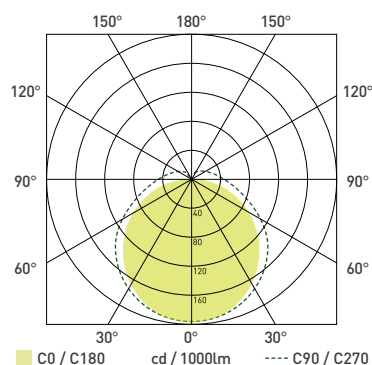
COMPATIBLE ACCESSORIES

LWSK415 - Wire suspension kit
 (See page 22)

LACT15P51S40 LUMINAIRE PERFORMANCE

Light Output Ratio: 100%
 Luminaire Efficacy: 80 lm/W
 Light Distribution: B31 ↓87.0% ↑13.0%
 CIE Flux Codes: 40 70 89 87 79
 UGR 4H 8H (20%, 50%, 70%)C0 / C90: 22.3 / 25.6

LUMINOUS INTENSITY



CONTECH TRUNKING SYSTEM

Trunking System with easy fit/change luminaire and track modules

- Luminaires in two lengths with selectable output to provide eight lumen output options
- DALI Dimmable as standard
- Ideal for supermarket and many other commercial and light industrial applications

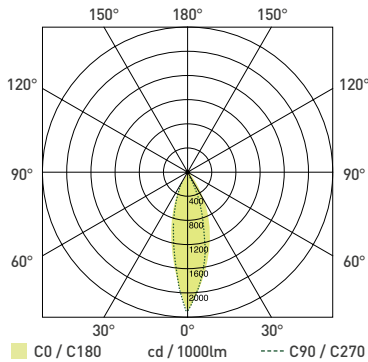


LCNL12D40L30

LUMINAIRE PERFORMANCE

Light Output Ratio: 99.97%
 Luminaire Efficacy: 129.38 lm/W
 Light Distribution: A72 ↓97.8% ↑2.2%
 CIE Flux Codes: 82 93 98 98 99
 UGR 4H 8H (20%, 50%, 70%)C0 / C90: 16.3 / 18.8

LUMINOUS INTENSITY



4000K
NEUTRAL
WHITE

50,000
HOURS

WHITE
FINISH
RAL9016

CRI
>80

Trunking Modules

CAT NO.	SIZE	MODULE CAPACITY
LCN12TS	1150mm	1 x 1150mm
LCN15TS	1437mm	1 x 1437mm
LCN24TS	2600mm	2 x 1150mm
LCN30TS	2874mm	2 x 1437mm

Lighting Modules

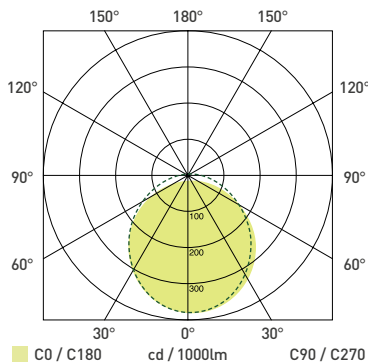
CAT NO.	DRIVER	LENS	SIZE	LUMINAIRE LUMENS	WATTAGE	EFFICACY Llm/W
LCN12D40L30	DALI	30°	1150mm	6200	48W	129
LCN12D40L60	DALI	60°	1150mm	6200	48W	129
LCN12D40L90	DALI	90°	1150mm	6200	48W	129
LCN12D40L120	DALI	120°	1150mm	6200	48W	129
LCN15D40L30	DALI	30°	1437mm	8900	83W	124
LCN15D40L60	DALI	60°	1437mm	8900	83W	124
LCN15D40L90	DALI	90°	1437mm	8900	83W	124
LCN15D40L120	DALI	120°	1437mm	8900	83W	124

LCNL15D40L120

LUMINAIRE PERFORMANCE

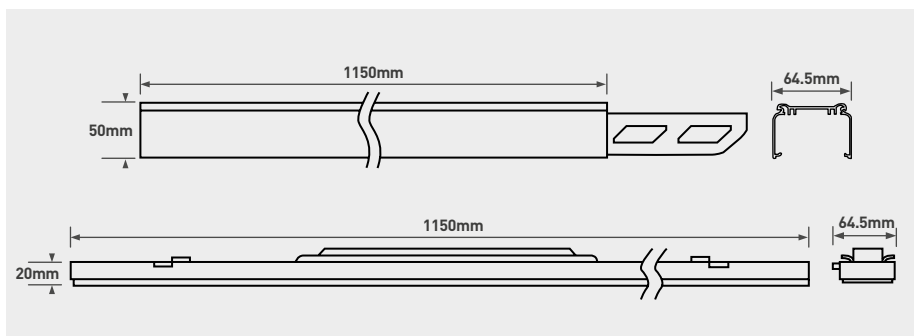
Light Output Ratio: 99.97%
 Luminaire Efficacy: 124 lm/W
 Light Distribution: A31 ↓91.7% ↑8.3%
 CIE Flux Codes: 43 73 92 92 100
 UGR 4H 8H (20%, 50%, 70%)C0 / C90: 22.8 / 27.5

LUMINOUS INTENSITY



LCN12D40 - Modules have selectable output with the following combinations in addition to above – 45W, 42W, 40W, 38W, 35W, 32W and 30W

LNN15D40 - Modules have selectable output with the following combinations in addition to above – 66W, 62W, 58W, 54W, 50W, 46W and 42W



CONTECH TRUNKING SYSTEM

Full range of connectors and accessories available including

- L, T and X connectors
- Surface and suspension fixings



LCNL12D40
LCNL15D40



1150mm and 1437mm blank modules

LCNL12TK
LCNL15TK



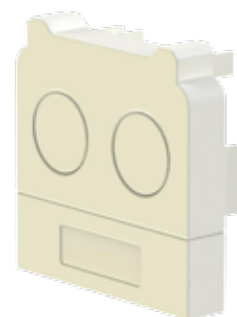
1150mm and 1437mm 3circuit track

LCNLE7



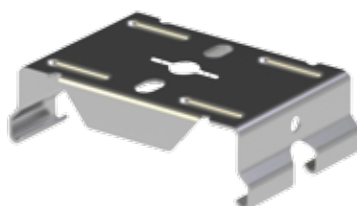
Live/Input connector

LCNECB



End Cap

LCNLSUS



Surface mount clip

LCNLCHS



Chain suspension (max 1500mm)

LINEA



Linear pendant with 55/45 up/down light distribution

- Complete with adjustable wire suspensions (Max 1500mm)

LLN12W60D40

LUMINAIRE PERFORMANCE

Light Output Ratio: 100%
 Luminaire Efficacy: 86.12 lm/W
 Light Distribution: C43 ↓55.2% ↑44.8%
 CIE Flux Codes: 51 81 96 55 100
 UGR 4H 8H (20%, 50%, 70%)C0 / C90: 16.8 / 19.7

4000K
 NEUTRAL
 WHITE

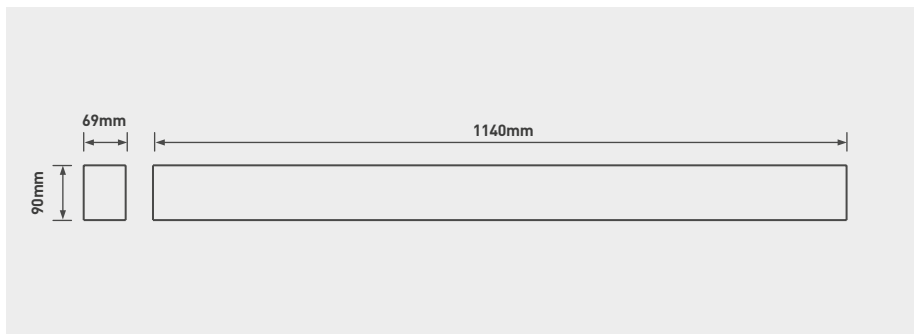
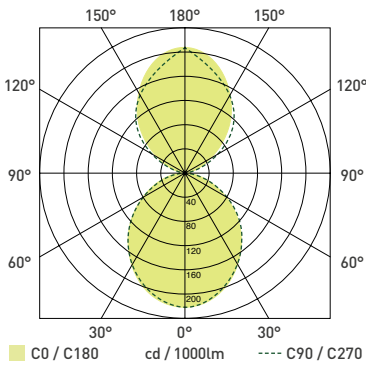
50,000
 HOURS

WHITE
 FINISH
 RAL9016

CRI
>80

CAT NO.	DRIVER	LUMINAIRE LUMENS	WATTAGE	EFFICACY Llm/W
LLN12W60D40	Digital Dimmable	6000	70W	86
LLN12W60ED40	Emergency Dimmable	6000	70W	86

LUMINOUS INTENSITY



LEREN

Linear pendant with 60/40 up/down light distribution

- Complete with adjustable wire suspensions (Max 1500mm)

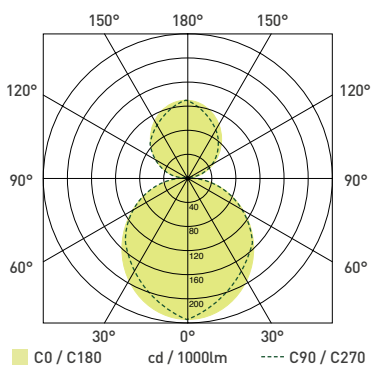


LER12W52D40

LUMINAIRE PERFORMANCE

Light Output Ratio: 100%
 Luminaire Efficacy: 88.48 lm/W
 Light Distribution: B43 ↓63.3% ↑36.7%
 CIE Flux Codes: 45 75 92 63 100
 UGR 4H 8H (20%, 50%, 21.4 / 22.4 70%)C0 / C90:

LUMINOUS INTENSITY



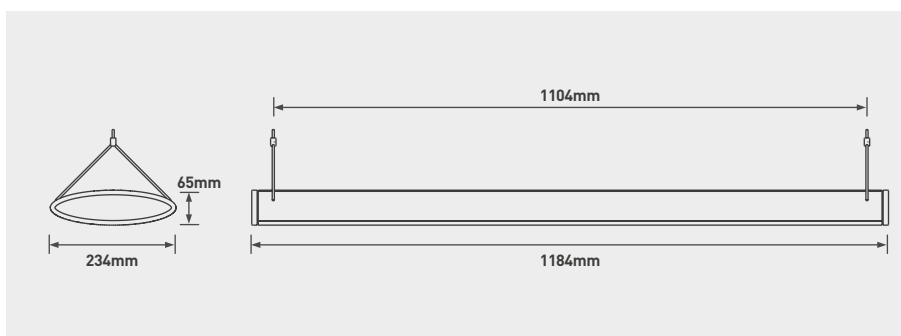
4000K
 NEUTRAL
 WHITE

50,000
 HOURS

WHITE
 FINISH
 RAL9016

CRI
>80

CAT NO.	DRIVER	LUMINAIRE LUMENS	WATTAGE	EFFICACY Llm/W
LER12W52S40	Standard	5200	58W	90
LER12W52E40	Emergency	5200	58W	90
LER12W52D40	Digital Dimmable	5200	58W	90
LER12W52ED40	Emergency Dimmable	5200	58W	90



ICE LINEAR

Transparent panel with 60/40 up/down light

- Complete with adjustable wire suspensions and ceiling mounting plinth



LIC312W42S40 LUMINAIRE PERFORMANCE

Light Output Ratio: 100%
 Luminaire Efficacy: 98 lm/W
 Light Distribution: C33 ↓59.7% ↑40.3%
 CIE Flux Codes: 37 70 92 60 100
 UGR 4H 8H (20%, 50%, 70%)C0 / C90: 19.0 / 17.5

4000K
NEUTRAL
WHITE

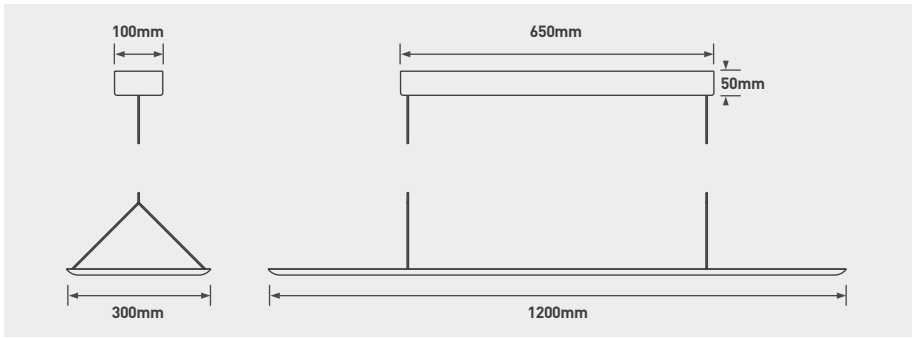
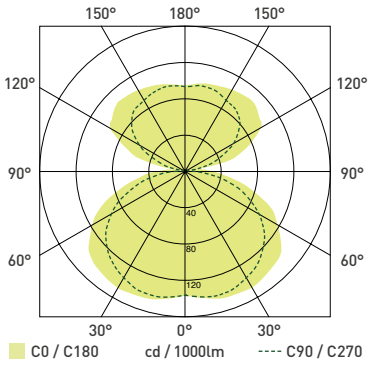
50,000
HOURS

WHITE
FINISH
RAL9016

CRI
>80

CAT NO.	DRIVER	LUMINAIRE LUMENS	WATTAGE	EFFICACY Llm/W
LIC312W42S40	Standard	4200	42W	100
LIC312W42D40	Digital Dimmable	4200	42W	100

LUMINOUS INTENSITY



ICE CIRCULAR

Transparent disc with balanced 50/50 front/back light distribution

- Suitable for wall or ceiling mounting



LICS24S40

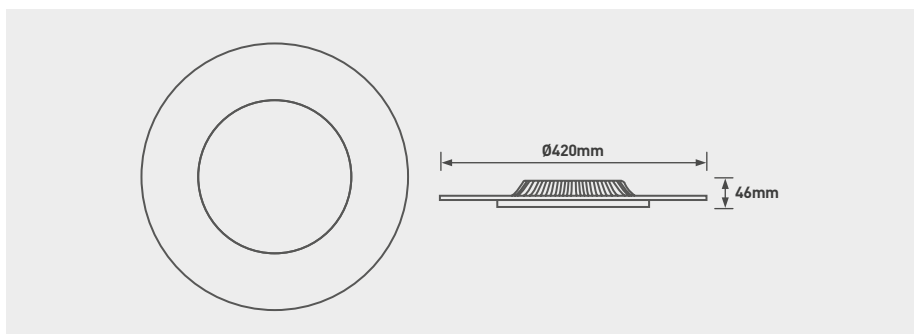
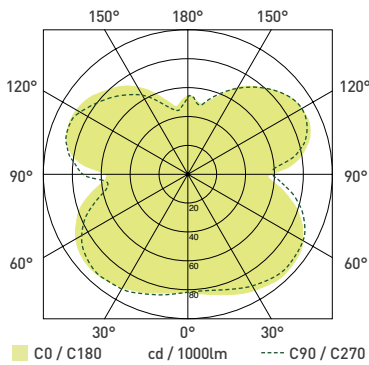
LUMINAIRE PERFORMANCE

Light Output Ratio: 100%
 Luminaire Efficacy: 101.14 lm/W
 Light Distribution: C22 ↓51.3% ↑48.7%
 CIE Flux Codes: 27 56 81 51 100
 UGR 4H 8H (20%, 50%, 70%)C0 / C90:



CAT NO.	DRIVER	LUMINAIRE LUMENS	WATTAGE	EFFICACY Llm/W
LICS24S40	Standard	2400	24W	100

LUMINOUS INTENSITY



COMMERCIAL/EDUCATION SPECIFICATION

	EPSILON											LUXPANEL BACKLIT 600 x 600mm				LUXPANEL BACKLIT 1200 x 300mm				LUXPANEL BACKLIT 1200 x 600mm				LUXPANEL EDGELIT 600 x 600mm				
	LEP66WO25IS40	LEP66WO25IE40	LEP66WO25ID40	LEP66WO25IED40	LEP66WO25ID40PIR	LEP66WO25IED40PIR	LEP66WO35IS40	LEP66WO35IE40	LEP66WO35ID40	LEP66WO35IED40	LEP66WO35ID40PIR	LEP66WO35IED40PIR	LPB66H25S40	LPB66H25D40	LPB66H35S40	LPB66H35D40	LPB312H25S40	LPB312H25D40	LPB312H35S40	LPB312H35D40	LPB612H50S40	LPB612H50D40	LPB612H70S40	LPB612H70D40	LP66W28S40	LP66W28D40	LP66W35S40	
PAGE NUMBER	15	15	15	15	15	15	15	15	15	15	15	16	16	16	16	17	17	17	17	17	18	18	18	18	19	19	19	
LENGTH / DIA (mm)	595	595	595	595	595	595	595	595	595	595	595	595	595	595	595	1195	1195	1195	1195	1195	1195	1195	1195	595	595	595		
WIDTH (mm)	595	595	595	595	595	595	595	595	595	595	595	595	595	595	595	295	295	295	295	295	595	595	595	595	595	595	295	
HEIGHT/DEPTH (mm)	72	72	72	72	72	72	72	72	72	72	72	61	61	61	61	61	61	61	61	61	61	61	61	61	8	8	8	
WEIGHT (kg)	4.7	5.5	4.7	5.5	5	5.9	4.7	5.5	4.7	5.5	5	5.9	3.85	3.95	3.85	3.95	3.85	3.95	3.85	3.95	7.8	7.8	7.8	7.8	2.95	2.95	2.95	
L FIXING CENTRES (mm)	N/A																											
W FIXING CENTRES (mm)	N/A																											
CEILING CUT OUT (mm)	585 x 585	585 x 585	585 x 585	585 x 585	585 x 585	585 x 585	585 x 585	585 x 585	585 x 585	585 x 585	585 x 585	585 x 585	585 x 585	585 x 585	585 x 585	585 x 585	1185 x 285	1185 x 285	1185 x 285	1185 x 285	1185 x 585	1185 x 585	1185 x 585	1185 x 585	585 x 585	585 x 585	585 x 585	
LUMINAIRE LUMENS (Lm)	2500	2500	2500	2500	2500	2500	3500	3500	3500	3500	3500	2500	2500	3500	3500	2500	2500	3500	3500	5000	5000	7000	7000	2800	2800	3500		
LUMINAIRE WATTAGE (W)	21	21	21	21	21	21	31	31	31	31	31	17	17	23	23	17	17	23	23	33	33	47	47	25	25	32		
EFFICACY Lm/W	119	119	119	119	119	119	113	113	113	113	113	147	147	152	152	147	147	152	152	152	152	149	149	112	112	110		
CCT (K)	4000																											
CRI	>80																											
UGR	<19	<19	<19	<19	<19	<19	<20	<20	<20	<20	<20	<19	<19	<20	<20	<19	<19	<20	<19	<19	<19	<19	<20	<20	<19	<19	<20	
IP RATED	IP20																								IP44			
IK RATED	IK04	IK04	IK04	IK04	IK04	IK04	IK04	IK04	IK04	IK04	IK04	IK02	IK02	IK02	IK02	IK02	IK02	IK02	IK02	IK02	IK02	IK02	IK02	IK04	IK04	IK04		
GLOW WIRE (°C)	650	650	650	650	650	650	650	650	650	650	650	850	850	850	850	850	850	850	850	850	850	850	850	850	850	850		
RAL COLOUR	9016																											
TEMP. RANGE (°C)	-20 to +30																											
RATED LIFE (HR)	50,000																											
AMBIENT TEMP. RATED LIFE (°C)	25																											
L AT RATED LIFE	70																											
B AT RATED LIFE	10																											
VOLTAGE RANGE	220-240V																											
FREQUENCY	50hz																											
EMERGENCY PACK CODE	N/A											LED3EP80-OJ																
WARRANTY (3 / 5 YEARS)	5 YEAR WARRANTY																											

All data/figures shown are for information and should be validated prior to any critical actions. Luceco reserve the right to change specifications without notice.
Different specification parameters, such as CCTK, B and L values are available, subject to quantity criteria for selected luminaires

	600 x 600		LUXPANEL EDGELIT 1200 x 300mm				EDGELIT 1200 x 600		LUXPANEL SURFACE 600 x 600mm				LUXPANEL SURFACE 1200 x 300mm				SURFACE 1200 x 600		LUXPANEL CIRCULAR								IP65 600 x 600	
	LP66W35D40	LP312W28S40	LP312W28D40	LP312W35S40	LP312W35D40	LP612W50S40	LP612W50D40	LP566W28S40	LP566W28D40	LP566SW35S40	LP566W35D40	LP5312W28S40	LP5312W28D40	LP5312W35S40	LP5312W35D40	LP5612W50S40	LP5612W50D40	LP240WS40	LP240WD40	LP180WS40	LP180WD40	LP150WS40	LP150WD40	LP120WS40	LP120WD40	LP66IP35S40	LP66IP35D40	
PAGE NUMBER	19	20	20	20	20	21	21	24	24	24	24	25	25	25	25	26	26	27	27	28	28	29	29	30	30	31	31	
LENGTH / DIA (mm)	595	1195	1195	1195	1195	1195	1195	602	602	602	602	1202	1202	1202	1202	1202	236	236	173	173	146	146	120	120	595	595		
WIDTH (mm)	595	295	295	295	295	595	595	602	602	602	602	302	302	302	302	602	602	N/A	N/A	N/A	N/A	N/A	N/A	N/A	N/A	595	595	
HEIGHT/DEPTH (mm)	8	8	8	8	8	8	8	67	67	67	67	67	67	67	67	67	20	20	20	20	20	20	20	20	20	8	8	
WEIGHT (kg)	2.95	3.35	3.35	3.35	3.35	5.8	5.8	4.75	4.75	4.75	4.75	5.75	5.75	5.75	5.75	8.6	8.6	0.55	0.55	0.35	0.35	0.25	0.25	0.2	0.2	2.95	2.95	
L FIXING CENTRES (mm)	N/A																											
W FIXING CENTRES (mm)	N/A																											
CEILING CUT OUT (mm)	585 x 585	1185 x 285	1185 x 285	1185 x 285	1185 x 285	1185 x 585	1185 x 585	N/A	N/A	N/A	N/A	N/A	N/A	N/A	N/A	N/A	N/A	225	225	161	161	131	131	105	105	585 x 585	585 x 585	
LUMINAIRE LUMENS (Lm)	3500	2800	2800	3500	3500	5000	5000	2800	2800	3500	3500	2800	2800	3500	3500	5000	5000	1260	1260	900	900	675	675	390	390	3500	3500	
LUMINAIRE WATTAGE (W)	32	28	28	35	35	28	28	25	25	32	32	28	28	35	35	28	28	14	14	10	10	9	9	6	6	32	32	
EFFICACY Lm/W	110	100	100	100	100	84	84	112	112	110	110	100	100	100	100	84	84	90	90	90	90	75	75	65	65	110	110	
CCT (K)	4000																											
CRI	>80																											
UGR	<20	<18	<18	<19	<19	<19	<19	<19	<19	<20	<20	<18	<18	<19	<19	<19	<19	<24	<24	<24	<24	<24	<24	<24	<24	<20	<20	
IP RATED	IP44							IP20										IP44								IP65		
IK RATED	IK04																											
GLOW WIRE (°C)	850																											
RAL COLOUR	9016																											
TEMP. RANGE (°C)	-20 to +30																											
RATED LIFE (HR)	50,000																											
AMBIENT TEMP. RATED LIFE (°C)	25																											
L AT RATED LIFE	70																											
B AT RATED LIFE	10																											
VOLTAGE RANGE	220-240V																											
FREQUENCY	50hz																											
EMERGENCY PACK CODE	LED3EP80-0J																											
WARRANTY (3 /5 YEARS)	5 YEAR WARRANTY																											

COMMERCIAL/EDUCATION SPECIFICATION

	IP65 1200 x 600		IP65 CIRCULAR		LUXPANEL ASYMMETRIC		ACADEMY 1200mm										ACADEMY 1500mm									
	LP612IP50S40	LP612IP50D40	LPI240WS40	LPI240WD40	LPA16W22S40	LPA16W22D40	LAC12P22S40	LAC12P22E40	LAC12P22D40	LAC12P22ED40	LAC12P22S40MMW	LAC12P40S40	LAC12P40E40	LAC12P40D40	LAC12P40ED40	LAC12P40S40MMW	LAC15P32S40	LAC15P32E40	LAC15P32D40	LAC15P32ED40	LAC15P32S40MMW	LAC15P60S40	LAC15P60E40	LAC15P60D40	LAC15P60ED40	LAC15P60S40MMW
PAGE NUMBER	32	32	33	33	37	37	38	38	38	38	38	38	38	38	38	38	38	38	38	38	38	38	38	38	38	38
LENGTH / DIA (mm)	1195	1195	236	236	595	595	1260	1260	1260	1260	1260	1260	1260	1260	1260	1260	1560	1560	1560	1560	1560	1560	1560	1560	1560	1560
WIDTH (mm)	595	595	N/A	N/A	150	150	190	190	190	190	190	190	190	190	190	190	190	190	190	190	190	190	190	190	190	190
HEIGHT/DEPTH (mm)	8	8	20	20	50	50	100	100	100	100	100	100	100	100	100	100	100	100	100	100	100	100	100	100	100	100
WEIGHT (kg)	5.8	5.8	0.55	0.55	0.97	0.97	2.1	3	2.1	3	2.2	2.1	3	2.1	3	2.2	2.5	3.4	2.5	3.4	2.6	2.5	3.4	2.5	3.4	2.6
L FIXING CENTRES (mm)	N/A	N/A	N/A	N/A	N/A	N/A	800	800	800	800	800	800	800	800	800	800	800	800	800	800	800	800	800	800	800	800
W FIXING CENTRES (mm)	N/A																									
CEILING CUT OUT (mm)	1185 x 585	1185 x 585	225	225	585 x 140	585 x 140	N/A	N/A	N/A	N/A	N/A	N/A	N/A	N/A	N/A	N/A	N/A	N/A	N/A	N/A	N/A	N/A	N/A	N/A	N/A	N/A
LUMINAIRE LUMENS (Lm)	5000	5000	1200	1200	2200	2200	2200	2200	2200	2200	2200	4000	4000	4000	4000	4000	3200	3200	3200	3200	3200	6000	6000	6000	6000	6000
LUMINAIRE WATTAGE (W)	28	28	16	16	22	22	18	18	18	18	18	36	36	36	36	36	28	28	28	28	28	52	52	52	52	52
EFFICACY Lm/W	84	84	75	75	100	100	122	122	122	122	122	111	111	111	111	111	114	114	114	114	114	115	115	115	115	115
CCT (K)	4000																									
CRI	>80																									
UGR	≤19	≤19	≤24	≤24	≤26	≤26	≤19	≤19	≤19	≤19	≤19	≤20	≤20	≤20	≤20	≤20	≤20	≤20	≤20	≤20	≤20	≤20	≤20	≤20	≤20	≤20
IP RATED	IP65						IP20																			
IK RATED	IK04	IK04	IK04	IK04	IK02	IK02	IK04	IK04	IK04	IK04	IK04	IK04	IK04	IK04	IK04	IK04	IK04	IK04	IK04	IK04	IK04	IK04	IK04	IK04	IK04	IK04
GLOW WIRE (°C)	850	850	850	850	N/A	N/A	650	650	650	650	650	650	650	650	650	650	650	650	650	650	650	650	650	650	650	650
RAL COLOUR	9016																									
TEMP. RANGE (°C)	-20 to +30	-20 to +30	-20 to +30	-20 to +30	-20 to +30	-20 to +30	-20 to +40	-20 to +40	-20 to +40	-20 to +40	-20 to +40	-20 to +40	-20 to +40	-20 to +40	-20 to +40	-20 to +40	-20 to +40	-20 to +40	-20 to +40	-20 to +40	-20 to +40	-20 to +40	-20 to +40	-20 to +40	-20 to +40	-20 to +40
RATED LIFE (HR)	50,000																									
AMBIENT TEMP. RATED LIFE (°C)	25																									
L AT RATED LIFE	70																									
B AT RATED LIFE	10																									
VOLTAGE RANGE	220-240V																									
FREQUENCY	50hz																									
EMERGENCY PACK CODE	LED3EP80-0J						N/A																			
WARRANTY (3/5 YEARS)	5 YEAR WARRANTY																									

All data/figures shown are for information and should be validated prior to any critical actions. Luceco reserve the right to change specifications without notice. Different specification parameters, such as CCT, B and L values are available, subject to quantity criteria for selected luminaires

	ACADEMY 1800mm										ACADEMY CLEAR PRISM						CONTECH		LINEA		LEREN				ICE LINEAR		ICE CIRC.	
	LAC18P45S40	LAC18P45E40	LAC18P45D40	LAC18P45ED40	LAC18P45S40MW	LAC18P80S40	LAC18P80E40	LAC18P80D40	LAC18P80ED40	LAC18P80S40MW	LACTI2P38S40	LACTI2P38E40	LACTI5P51S40	LACTI5P51E40	LACTI8P64S40	LACTI8P64E40	LCNT12D40L	LCNT15D40L	LLNT12W60D40	LLNT12W60ED40	LERT2W52S40	LERT2W52E40	LERT2W52D40	LERT2W52ED40	LIC312W42S40	LIC312W42D40	LICS24S40	
PAGE NUMBER	38	38	38	38	38	38	38	38	38	38	39	39	39	39	39	39	40	40	42	42	43	43	43	43	43	44	44	45
LENGTH / DIA (mm)	1825	1825	1825	1825	1825	1825	1825	1825	1825	1825	1260	1260	1560	1560	1825	1825	1150	1437	1140	1140	1184	1184	1184	1184	1184	1200	1200	420
WIDTH (mm)	190	190	190	190	190	190	190	190	190	190	190	190	190	190	190	190	50	50	69	69	234	234	234	234	234	300	300	N/A
HEIGHT/DEPTH (mm)	100	100	100	100	100	100	100	100	100	100	100	100	100	100	100	100	20	20	90	90	65	65	65	65	65	15	15	46
WEIGHT (kg)	3	3.9	3	3.9	3.1	3	3.9	3	3.9	3.1	1.4	2.3	2.2	3.1	2.5	3.4	1.7	2.1	3.2	4.1	4.6	5.5	4.6	5.5	5.5	2.3	2.3	1.5
L FIXING CENTRES (mm)	800	800	800	800	800	800	800	800	800	800	800	800	800	800	800	800	N/A	N/A	1120	1120	1104	1104	1104	1104	1104	500	500	215
W FIXING CENTRES (mm)	N/A																											
CEILING CUT OUT (mm)	N/A																											
LUMINAIRE LUMENS (Lm)	4500	4500	4500	4500	4500	8000	8000	8000	8000	8000	3800	3800	5120	5120	6400	6400	6200	8900	6000	6000	5200	5200	5200	5200	5200	4200	4200	2400
LUMINAIRE WATTAGE (W)	40	40	40	40	40	69	69	69	69	69	48	48	64	64	80	80	48	72	70	70	58	58	58	58	58	42	42	24
EFFICACY Lm/W	113	113	113	113	113	116	116	116	116	116	80	80	80	80	80	80	129	124	86	86	90	90	90	90	90	100	100	100
CCT (K)	4000																											
CRI	>80																											
UGR	≤20	≤20	≤20	≤20	≤20	≤20	≤20	≤20	≤20	≤20	≤23	≤23	≤25	≤25	≤25	≤25	N/A	N/A	≤19	≤19	≤21	≤21	≤21	≤21	≤21	≤19	≤19	≤19
IP RATED	IP20																											
IK RATED	IK04	IK04	IK04	IK04	IK04	IK04	IK04	IK04	IK04	IK04	IK04	IK04	IK04	IK04	IK04	IK04	IK07	IK07	IK04	IK04	IK04	IK04	IK04	IK04	IK04	IK04	IK04	IK04
GLOW WIRE (°C)	650																											
RAL COLOUR	9016																											
TEMP. RANGE (°C)	-20 to +40	0 to +40	-20 to +40	0 to +40	0 to +40	-20 to +40	0 to +40	-20 to +40	0 to +40	-20 to +40	-20 to +30	0 to +30	-20 to +30	0 to +30	-20 to +30	0 to +30	-20 to +40	-20 to +40	-20 to +30	0 to +30	-20 to +30	0 to +30	-20 to +30	0 to +30	0 to +30	0 to +30	-20 to +30	
RATED LIFE (HR)	50,000										30,000						50,000											
AMBIENT TEMP. RATED LIFE (°C)	25																											
L AT RATED LIFE	70																											
B AT RATED LIFE	10	10	10	10	10	10	10	10	10	10	50	50	50	50	50	50	10	10	50	50	10	10	10	10	10	10	10	10
VOLTAGE RANGE	220-240V																											
FREQUENCY	50hz																											
EMERGENCY PACK CODE	N/A																											
WARRANTY (3 / 5 YEARS)	5 YEAR WARRANTY										3 YEAR WARRANTY						5 YEAR WARRANTY											

ACCENT/DISPLAY



51
Atom



52
Platinum
Mini



54
Platinum



56
Carbon



60
3 Circuit
Track



62
Track Spots
Circular



63
Track Spots
Square



64
Surface
Mounted
Spot



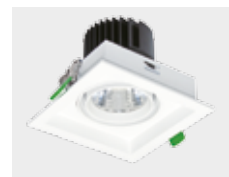
65
Pullout
Spot



66
Circular
Pendant



67
Wallwasher



68
Square
Modules



70
Taska

ATOM

FIRE RATED DOWNLIGHT

- Fully tested to 30, 60 and 90mins fire resistance
- Integrated driver
- Dimmable with Leading Edge/Triac type dimmers
- True halogen appearance

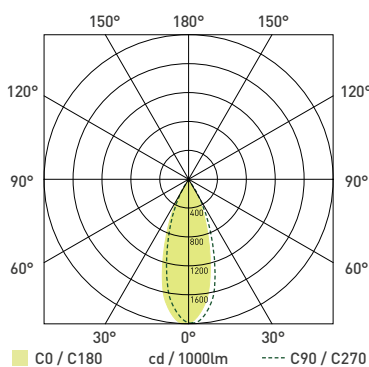


LFR5WH475D40

LUMINAIRE PERFORMANCE

Light Output Ratio: 100%
 Luminaire Efficacy: 95 lm/W
 Light Distribution: A72 ↓97.2% ↑2.8%
 CIE Flux Codes: 92 98 99 97 100
 UGR 4H 8H (20%, 50%, 70%)C0 / C90: 15.9 / 17.4

LUMINOUS INTENSITY



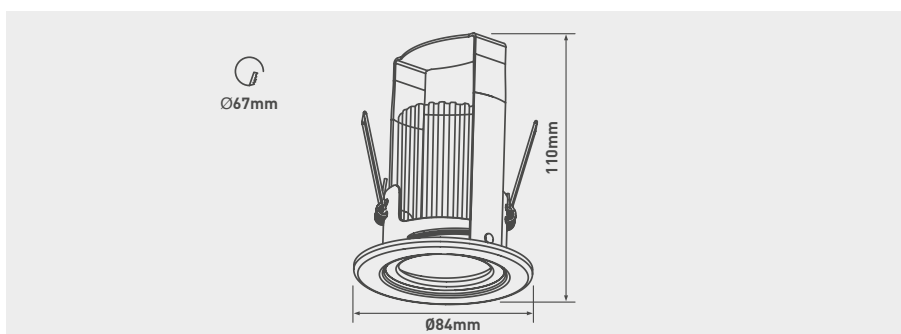
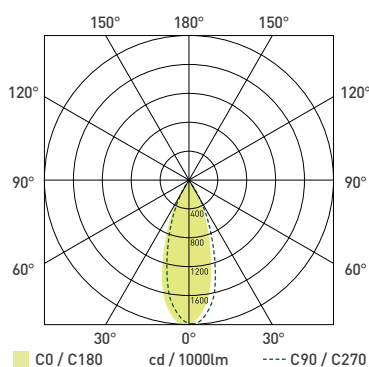
CAT NO.	BEZEL	LUMINAIRE LUMENS	WATTAGE	EFFICACY Llm/W	COLOUR TEMP
LFR5WH475D40	White	475	5.2W	91	4000K
LFR5PC475D40	Polished Chrome	475	5.2W	91	4000K
LFR5BS475D40	Brushed Steel	475	5.2W	91	4000K
LFR5WH450D27	White	450	5.2W	87	2700K
LFR5PC450D27	Polished Chrome	450	5.2W	87	2700K
LFR5BS450D27	Brushed Steel	450	5.2W	87	2700K

LFR5WH450D27

LUMINAIRE PERFORMANCE

Light Output Ratio: 100%
 Luminaire Efficacy: 90 lm/W
 Light Distribution: A72 ↓97.2% ↑2.8%
 CIE Flux Codes: 92 98 99 97 100
 UGR 4H 8H (20%, 50%, 70%)C0 / C90: 15.7 / 17.3

LUMINOUS INTENSITY



PLATINUM MINI DOWNLIGHT

- Ideal alternative to CFL downlights
- Suitable for 150mm - 155mm cutout
- Easy fit positive locating swing tabs
- Supplied with white bezel



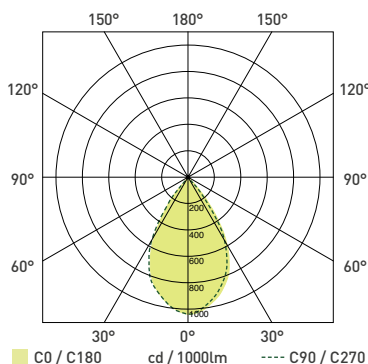
LDP15W11GS40

LUMINAIRE PERFORMANCE

Light Output Ratio: 100%
 Luminaire Efficacy: 113.29 lm/W
 Light Distribution: A70 ↓98.9% ↑1.1%
 CIE Flux Codes: 91 98 99 99 100
 UGR 4H 8H (20%, 50%, 70%)C0 / C90:



LUMINOUS INTENSITY

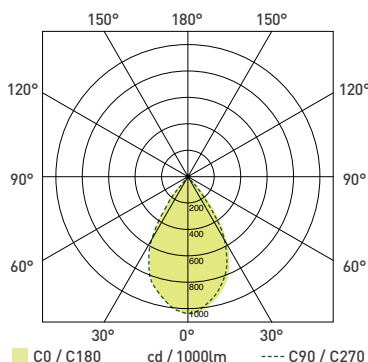


LDP15W21GS40

LUMINAIRE PERFORMANCE

Light Output Ratio: 100%
 Luminaire Efficacy: 109.65 lm/W
 Light Distribution: A70 ↓98.9% ↑1.1%
 CIE Flux Codes: 90 98 99 99 100
 UGR 4H 8H (20%, 50%, 70%)C0 / C90:

LUMINOUS INTENSITY



GLOSS REFLECTOR

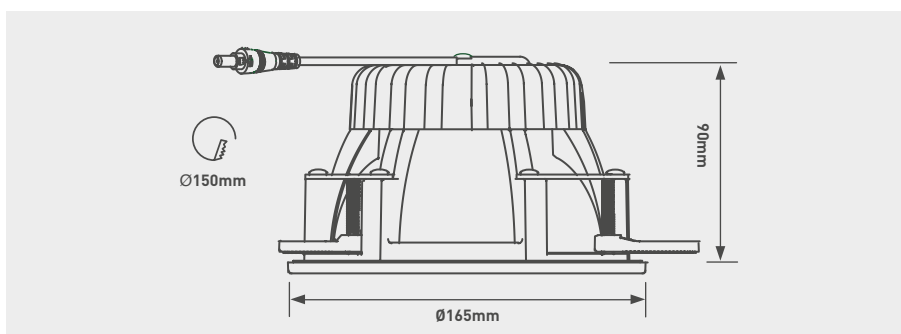
CAT NO.	DRIVER	LUMINAIRE LUMENS	WATTAGE	EFFICACY Lm/W	CURRENT
LDP15W11GS40	Standard	1050	9W	117	350mA
LDP15W11GD40	Digital Dimmable	1050	9W	117	350mA
LDP15W15GS40	Standard	1500	13W	115	500mA
LDP15W15GD40	Digital Dimmable	1500	13W	115	500mA
LDP15W21GS40	Standard	2050	19W	108	700mA
LDP15W21GD40	Digital Dimmable	2050	19W	108	700mA

MATT REFLECTOR

CAT NO.	DRIVER	LUMINAIRE LUMENS	WATTAGE	EFFICACY Lm/W	CURRENT
LDP15W11MS40	Standard	1050	9W	117	350mA
LDP15W11MD40	Digital Dimmable	1050	9W	117	350mA
LDP15W15MS40	Standard	1500	13W	115	500mA
LDP15W15MD40	Digital Dimmable	1500	13W	115	500mA
LDP15W21MS40	Standard	2050	19W	108	700mA
LDP15W21MD40	Digital Dimmable	2050	19W	108	700mA

COMPATIBLE ACCESSORIES

Alternative bezels, see page 53

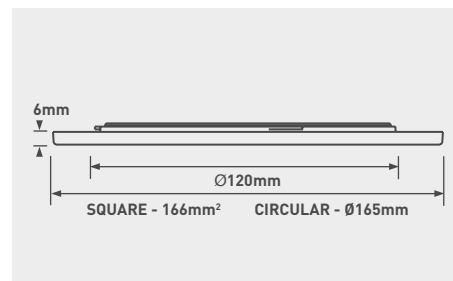


ALTERNATIVE FINISH BEZELS

- Range of decorative bezels to replace standard white circular bezel



CAT NO.	DESCRIPTION
LDP15BWHM	Circular white - emergency indicator
LDP15BPC	Circular polished chrome
LDP15BBS	Circular brushed steel
LDP15BSQWH	Square white
LDP15BSQPC	Square polished chrome
LDP15BSQBS	Square brushed steel

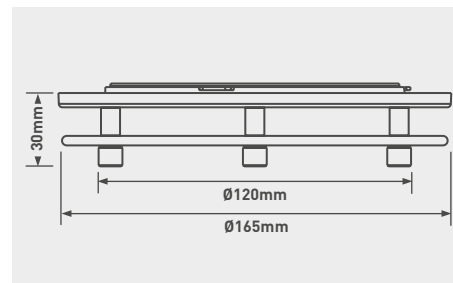


DECORATIVE GLASS BEZELS

- Compatible with Platinum Mini downlight
- Die cast aluminium
- Painted powder white or plated polished chrome and brushed steel effect
- Dropped halo with frosted glass



CAT NO.	DESCRIPTION
LDP15BWHDF	White - Dropped frosted
LDP15BPCDF	Polished chrome - Dropped frosted
LDP15BBSDF	Brushed steel - Dropped frosted

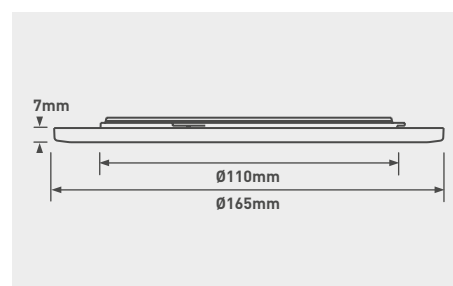


IP65 BEZELS

- Compatible with Platinum Mini downlight
- Die cast aluminium



CAT NO.	DESCRIPTION
LDP15BWHIP	White - Clear diffuser



PLATINUM DOWNLIGHT

- Ideal alternative to CFL downlights
- Suitable for 203mm - 210mm cutout, recommended 205mm
- Easy fit positive locating swing tabs
- Supplied with white bezel

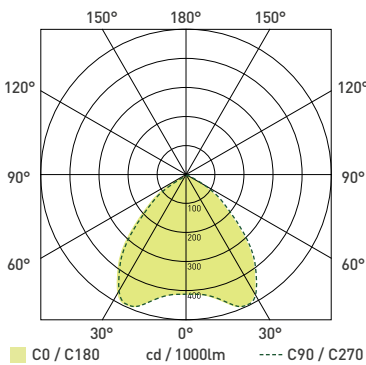


LDP20W32GS40

LUMINAIRE PERFORMANCE

Light Output Ratio: 100%
 Luminaire Efficacy: 93.18 lm/W
 Light Distribution: A50 ↓98.9% ↑1.1%
 CIE Flux Codes: 68 96 99 99 100
 UGR 4H 8H (20%, 50%, 70%)C0 / C90: 21.7 / 21.8

LUMINOUS INTENSITY

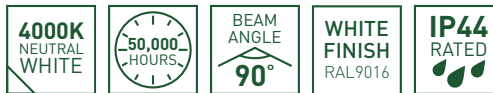
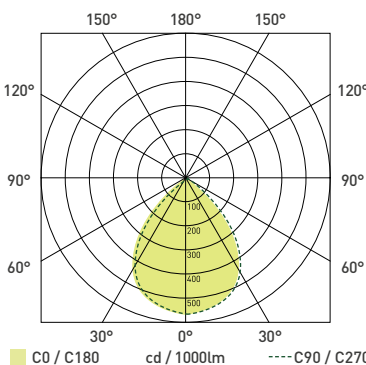


LDP20W15MS40

LUMINAIRE PERFORMANCE

Light Output Ratio: 100%
 Luminaire Efficacy: 94.94 lm/W
 Light Distribution: A60 ↓99.0% ↑1.0%
 CIE Flux Codes: 71 96 99 99 100
 UGR 4H 8H (20%, 50%, 70%)C0 / C90: 18.1 / 18.5

LUMINOUS INTENSITY



GLOSS REFLECTOR

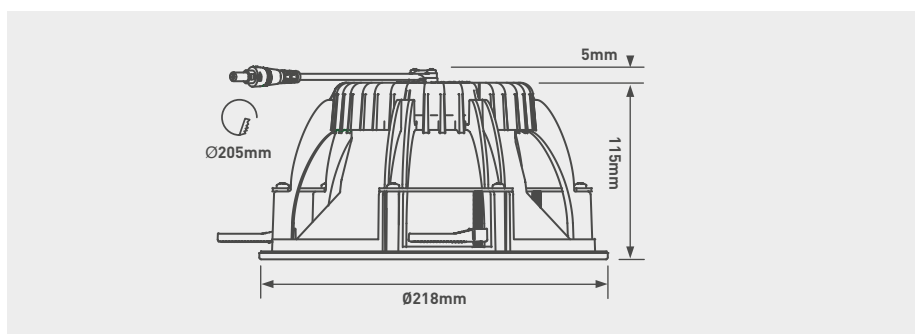
CAT NO.	DRIVER	LUMINAIRE LUMENS	WATTAGE	EFFICACY Llm/W	CURRENT
LDP20W32GS40	Standard	3200	33W	97	1050mA
LDP20W32GD40	Digital Dimmable	3200	33W	97	1050mA
LDP20W22GS40	Standard	2200	22W	98	700mA
LDP20W22GD40	Digital Dimmable	2200	22W	98	700mA
LDP20W16GS40	Standard	1600	16W	100	500mA
LDP20W16GD40	Digital Dimmable	1600	16W	100	500mA
LDP20W12GS40	Standard	1200	12W	100	350mA
LDP20W12GD40	Digital Dimmable	1200	12W	100	350mA

MATT REFLECTOR

CAT NO.	DRIVER	LUMINAIRE LUMENS	WATTAGE	EFFICACY Llm/W	CURRENT
LDP20W31MS40	Standard	3050	33W	92	1050mA
LDP20W31MD40	Digital Dimmable	3050	33W	92	1050mA
LDP20W21MS40	Standard	2050	22W	93	700mA
LDP20W21MD40	Digital Dimmable	2050	22W	93	700mA
LDP20W15MS40	Standard	1500	16W	94	500mA
LDP20W15MD40	Digital Dimmable	1500	16W	94	500mA
LDP20W11MS40	Standard	1100	12W	92	350mA
LDP20W11MD40	Digital Dimmable	1100	12W	92	350mA

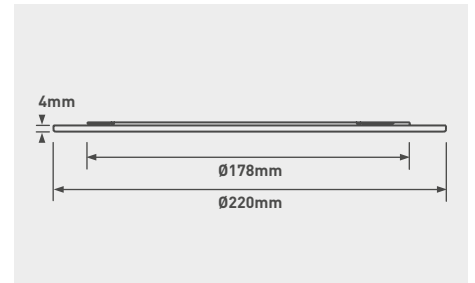
COMPATIBLE ACCESSORIES

LED3EP80-OJ - Emergency pack available, see page 23
 Alternative Bezels, see page 55



ALTERNATIVE FINISH BEZELS

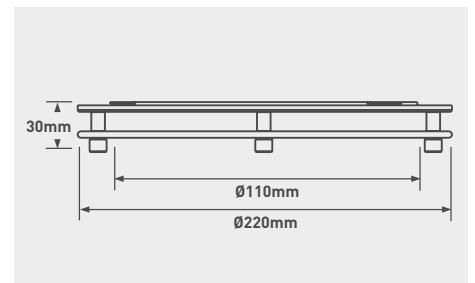
- Compatible with Platinum downlight
- Die cast aluminium
- Plated polished chrome and brushed steel effect



CAT NO.	DESCRIPTION
LDP20BWH	White
LDP20BPC	Polished Chrome
LDP20BBS	Brushed steel

DECORATIVE GLASS BEZELS

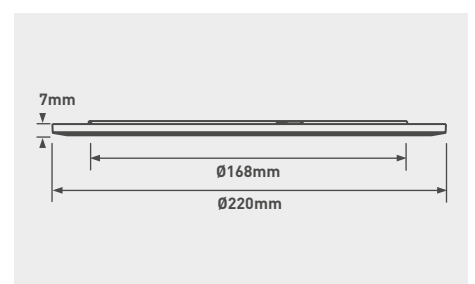
- Die cast aluminium
- Painted powder white or plated polished chrome and brushed steel effect
- Dropped halo with frosted or clear glass



CAT NO.	DESCRIPTION
LDP20WHDH	White - Dropped halo
LDP20WHDF	White - Frosted glass
LDP20PCDH	Polished chrome - Dropped halo
LDP20PCDF	Polished chrome - Frosted glass
LDP20BSDH	Brushed steel - Dropped halo
LDP20BSDF	Brushed steel - Frosted glass

IP65 BEZELS

- Die cast aluminium
- Painted powder white
- Clear or frosted diffuser



CAT NO.	DESCRIPTION
LDPWHIPF	White - Frosted diffuser
LDPWHIP	White - Clear diffuser

CARBON DOWNLIGHT

- Ideal replacement and designed to retrofit/match ceiling cut outs of compact fluorescent downlights



LBDL8S40

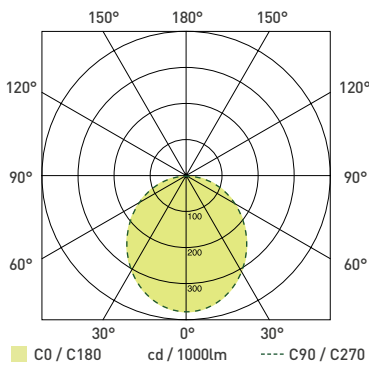
LUMINAIRE PERFORMANCE

Light Output Ratio: 100%
 Luminaire Efficacy: 92.05 lm/W
 Light Distribution: A40 ↓99.0% ↑1.0%
 CIE Flux Codes: 50 81 97 99 100
 UGR 4H 8H (20%, 50%, 70%)C0 / C90:



CAT NO.	DRIVER	SIZE	LUMINAIRE LUMENS	WATTAGE	EFFICACY Llm/W	CURRENT
LBDL8S40	Standard	245mm	2000	22W	91	500mA
LBDL8D40	Digital Dimmable	245mm	2000	22W	91	500mA

LUMINOUS INTENSITY



COMPATIBLE ACCESSORIES

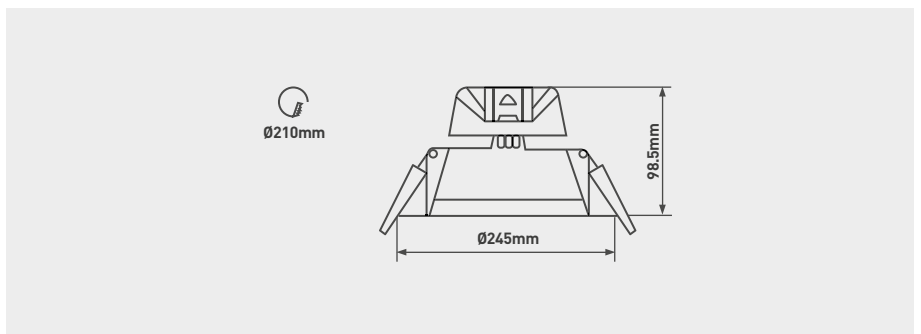
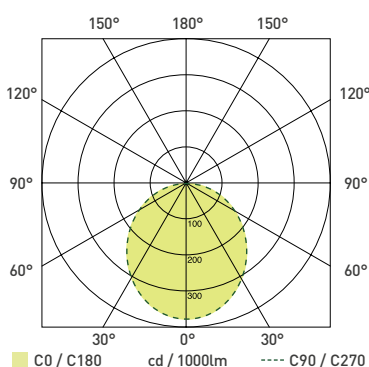
LED3EP80-OJ - Emergency pack available, see page 23

LBDL8D40

LUMINAIRE PERFORMANCE

Light Output Ratio: 100%
 Luminaire Efficacy: 92.05 lm/W
 Light Distribution: A40 ↓99.0% ↑1.0%
 CIE Flux Codes: 50 81 97 99 100
 UGR 4H 8H (20%, 50%, 70%)C0 / C90:

LUMINOUS INTENSITY



CARBON DOWNLIGHT

- Ideal replacement and designed to retrofit/match ceiling cut outs of compact fluorescent downlights



LBDL6S40

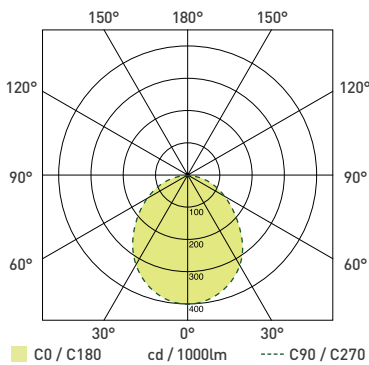
LUMINAIRE PERFORMANCE

Light Output Ratio: 100%
 Luminaire Efficacy: 91.15 lm/W
 Light Distribution: A40 ↓99.0% ↑1.0%
 CIE Flux Codes: 52 83 97 99 100
 UGR 4H 8H (20%, 50%, 70%)C0 / C90: 26.7 / 26.6



CAT NO.	DRIVER	SIZE	LUMINAIRE LUMENS	WATTAGE	EFFICACY Llm/W	CURRENT
LBDL6S40	Standard	197mm	1500	15W	100	500mA
LBDL6D40	Digital Dimmable	197mm	1500	15W	100	500mA

LUMINOUS INTENSITY



COMPATIBLE ACCESSORIES

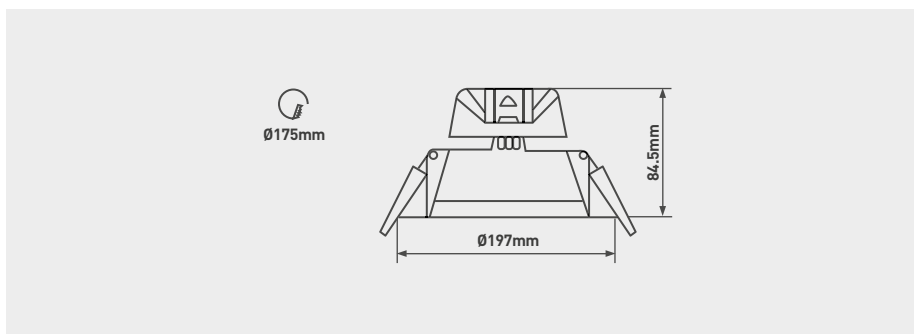
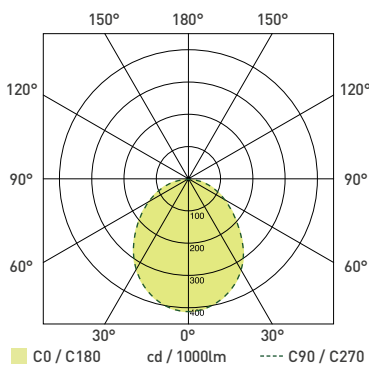
LED3EP80-OJ - Emergency pack available, see page 23

LBDL6D40

LUMINAIRE PERFORMANCE

Light Output Ratio: 100%
 Luminaire Efficacy: 91.15 lm/W
 Light Distribution: A40 ↓99.0% ↑1.0%
 CIE Flux Codes: 52 83 97 99 100
 UGR 4H 8H (20%, 50%, 70%)C0 / C90: 26.7 / 26.6

LUMINOUS INTENSITY



CARBON DOWNLIGHT

- Ideal replacement and designed to retrofit/match ceiling cut outs of compact fluorescent downlights



LBDL4S40

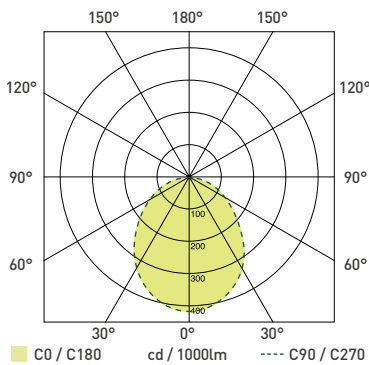
LUMINAIRE PERFORMANCE

Light Output Ratio: 100%
 Luminaire Efficacy: 92.3 lm/W
 Light Distribution: A40 ↓99.0% ↑1.0%
 CIE Flux Codes: 53 83 98 99 100
 UGR 4H 8H (20%, 50%, 70%)C0 / C90:
 27.5 / 27.5



CAT NO.	DRIVER	SIZE	LUMINAIRE LUMENS	WATTAGE	EFFICACY Llm/W	CURRENT
LBDL4S40	Standard	145mm	1000	11W	91	500mA
LBDL4D40	Digital Dimmable	145mm	1000	11W	91	500mA

LUMINOUS INTENSITY



COMPATIBLE ACCESSORIES

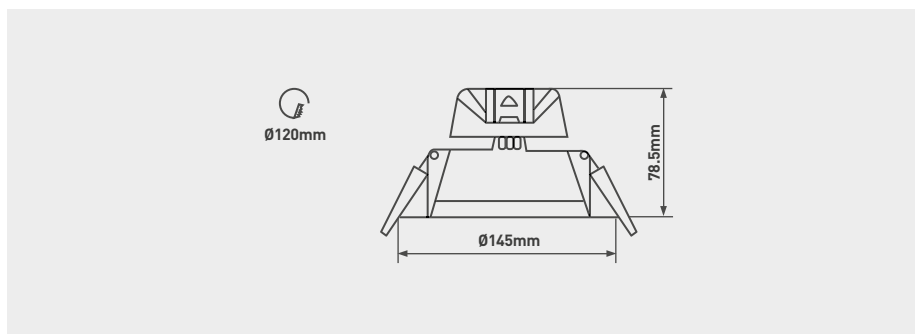
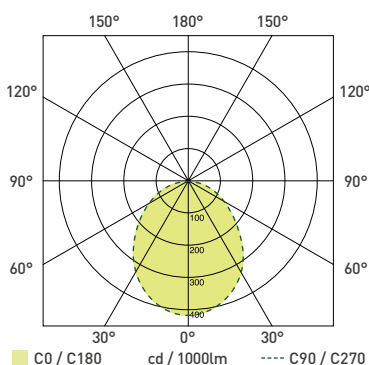
LED3EP80-OJ - Emergency pack available, see page 23

LBDL4D40

LUMINAIRE PERFORMANCE

Light Output Ratio: 100%
 Luminaire Efficacy: 92.3 lm/W
 Light Distribution: A40 ↓99.0% ↑1.0%
 CIE Flux Codes: 53 83 98 99 100
 UGR 4H 8H (20%, 50%, 70%)C0 / C90:
 27.5 / 27.5

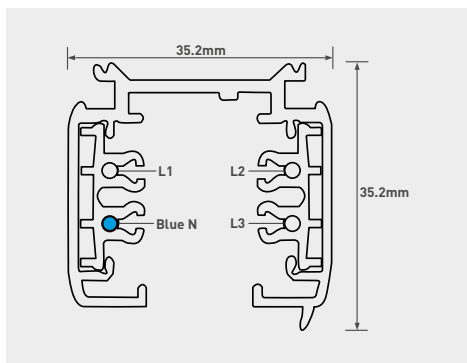
LUMINOUS INTENSITY





3 CIRCUIT TRACK & ACCESSORIES

- 3 circuit track offers maximum flexibility to retail spaces
- Full range of track and accessories available
- Black track and accessories available to special order



WHITE
FINISH

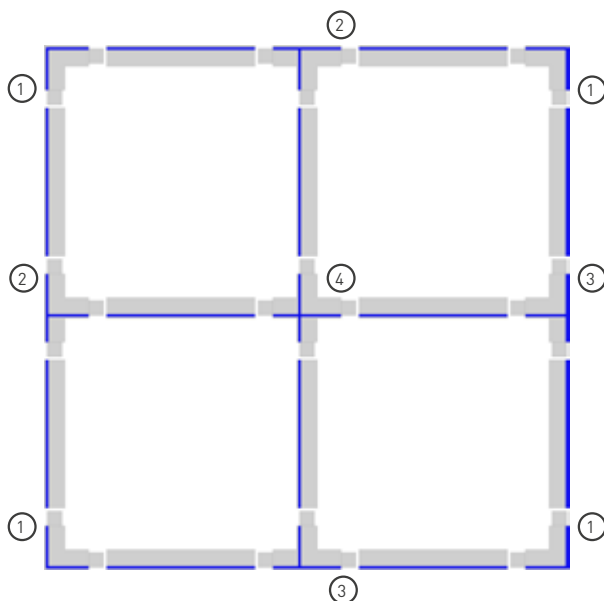
230v
/50hz

700
mA

CAT NO.	DESCRIPTION
LT1MW3T	1M 3 phase track White
LT2MW3T	2M 3 phase track White
LTWSK215	1.5M suspension kit

EXAMPLE LAYOUT

- Designed to show polarity sensitive connectors

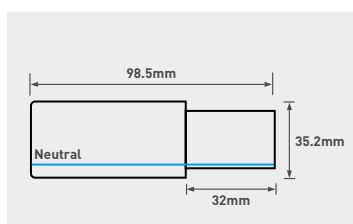


KEY:

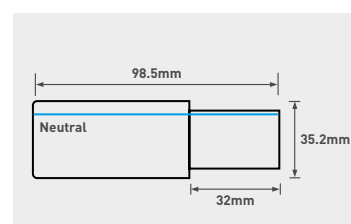
- ① LT90W - X4
- ② LTTR1W - X2
- ③ LTTW X2
- ④ LTXW - X1

* LIVE, EARTH & NEUTRAL TERMINATED IN LT90W

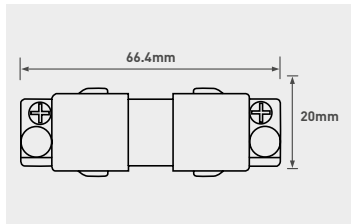
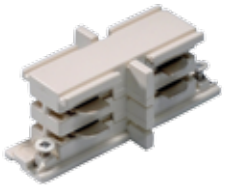
LIVE FEED LEFT LTLEW



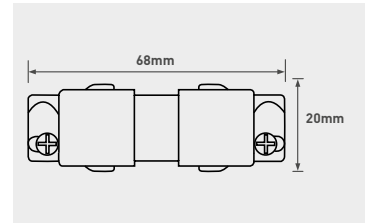
LIVE FEED RIGHT LTLERW



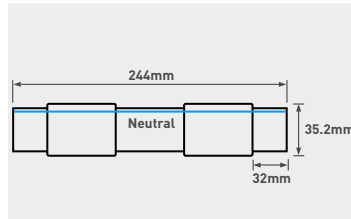
INLINE MECHANICAL CONNECTOR LTIMW



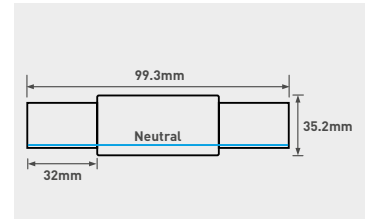
INLINE ELECTRICAL CONNECTOR LTIEW



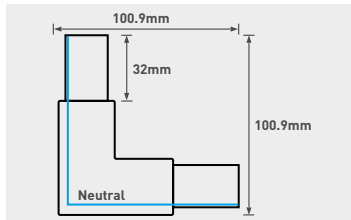
FLEXIBLE CONNECTOR LTFCW



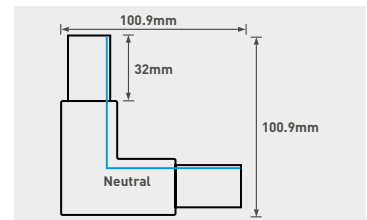
STRAIGHT CONNECTOR LTSCW



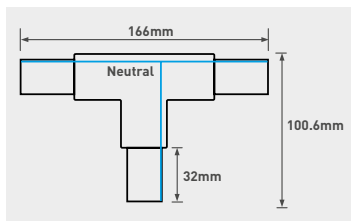
90 CONNECTOR LEFT LT90W



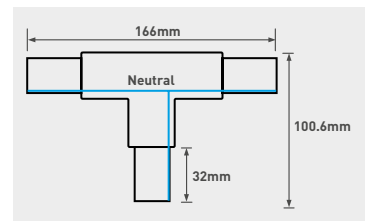
90 CONNECTOR RIGHT LT90RW



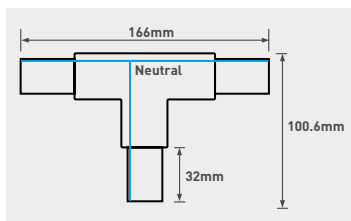
T CONNECTOR LEFT 1 LTTW



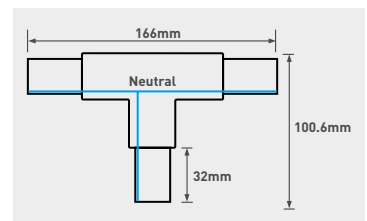
T CONNECTOR LEFT 2 LTTL2W



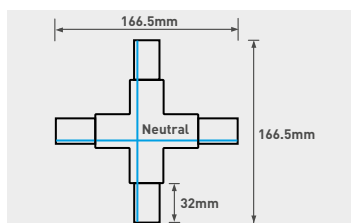
T CONNECTOR RIGHT 1 LTTR1W



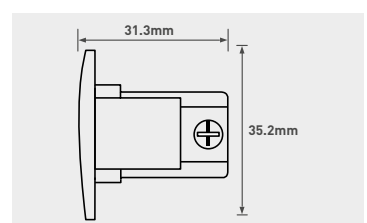
T CONNECTOR RIGHT 2 LTTR2W



X CONNECTOR LTXW



END CAP LTECW



TRACK SPOT CIRCULAR

- Spotlight for 3 circuit lighting track
- Lumen outputs comparable to CDM-T lamps
- Integral fixed output driver included
- 24° lens fitted 38° lens also supplied
- Black spotlights available to special order



LTCW20S40-24°

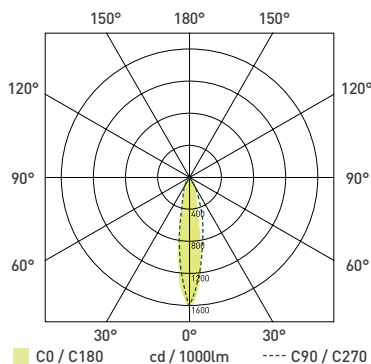
LUMINAIRE PERFORMANCE

Light Output Ratio: 100%
 Luminaire Efficacy: 82 lm/W
 Light Distribution: A70 ↓100.0% ↑0.0%
 CIE Flux Codes: 91 99 100 100 100
 UGR 4H 8H (20%, 50%, 70%)C0 / C90: 21.3 / 20.4



CAT NO.	DRIVER	LUMINAIRE LUMENS	WATTAGE	EFFICACY Llm/W	EQUIVALENT WATTAGE
LTCW20S40	Standard	2050	25W	82	35W
LTCW28S40	Standard	2800	35W	80	70W

LUMINOUS INTENSITY



ALSO AVAILABLE

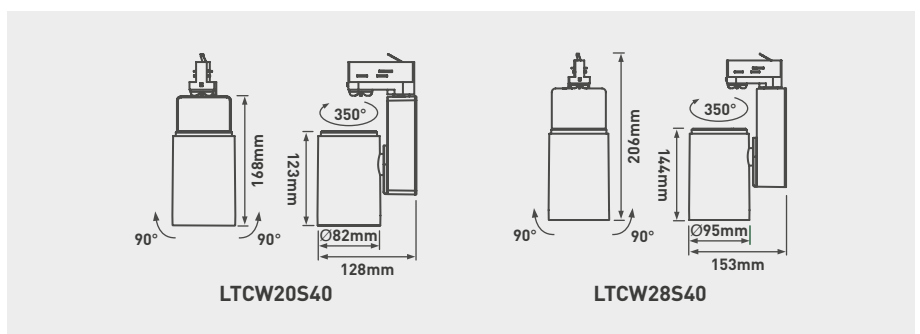
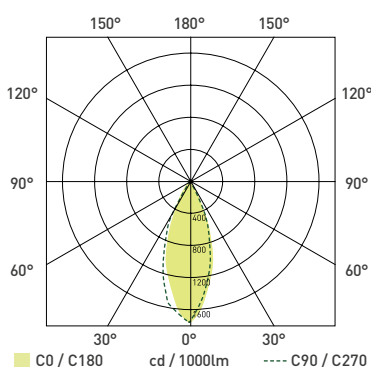
- * 3000K CCT available to special order
- ** >90 CRI available to special order

LTCW20S40-38°

LUMINAIRE PERFORMANCE

Light Output Ratio: 100%
 Luminaire Efficacy: 82 lm/W
 Light Distribution: A80 ↓100.0% ↑0.0%
 CIE Flux Codes: 96 99 100 100 100
 UGR 4H 8H (20%, 50%, 70%)C0 / C90: 17.9 / 20.7

LUMINOUS INTENSITY



TRACK SPOT SQUARE

- Spotlight for 3 circuit lighting track
- Lumen outputs comparable to CDM-T lamps
- Integral fixed output driver included
- 24° lens fitted 38° lens also supplied
- Black spotlights available to special order



LTSW20S40-24°

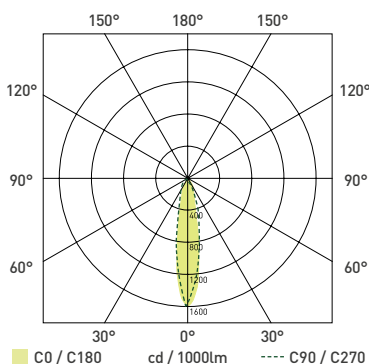
LUMINAIRE PERFORMANCE

Light Output Ratio: 100%
 Luminaire Efficacy: 80 lm/W
 Light Distribution: A70 ↓100.0% ↑0.0%
 CIE Flux Codes: 91 99 100 100 100
 UGR 4H 8H [20%, 18.8 / 17.9
 50%, 70%]C0 / C90:



CAT NO.	DRIVER	LUMINAIRE LUMENS	WATTAGE	EFFICACY Llm/W	EQUIVALENT WATTAGE
LTSW20S40	Standard	2000	24W	83	35W
LTSW28S40	Standard	2800	34W	82	70W

LUMINOUS INTENSITY



ALSO AVAILABLE

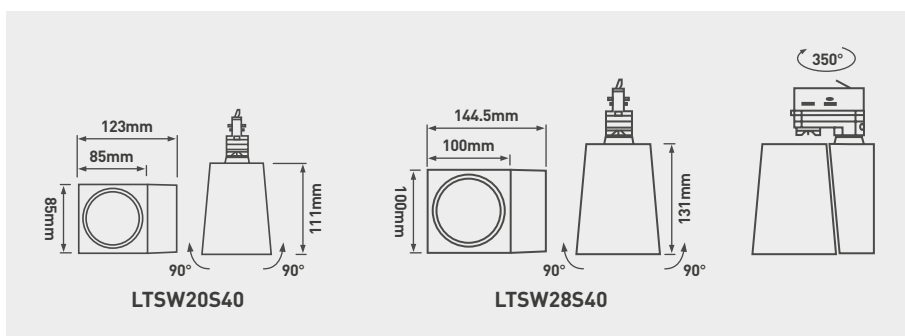
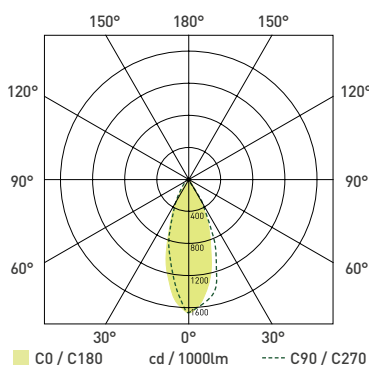
- * 3000K CCT available to special order
- ** >90 CRI available to special order

LTSW20S40-38°

LUMINAIRE PERFORMANCE

Light Output Ratio: 100%
 Luminaire Efficacy: 80 lm/W
 Light Distribution: A80 ↓100.0% ↑0.0%
 CIE Flux Codes: 97 99 100 100 100
 UGR 4H 8H [20%, 15.0 / 13.0
 50%, 70%]C0 / C90:

LUMINOUS INTENSITY



CIRCULAR SPOT LIGHT SURFACE MOUNTED

- Lumen outputs comparable to CDM-T lamps
- Integral fixed output driver included
- 24° lens fitted 38° lens also supplied



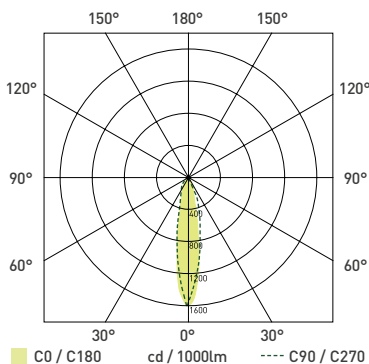
LSSW20S40-24° LUMINAIRE PERFORMANCE

Light Output Ratio: 100%
 Luminaire Efficacy: 78 lm/W
 Light Distribution: A70 ↓100.0% ↑0.0%
 CIE Flux Codes: 91 99 100 100 110
 UGR 4H 8H (20%, 50%, 70%)C0 / C90: 21.4 / 20.5



CAT NO.	DRIVER	LUMINAIRE LUMENS	WATTAGE	EFFICACY Llm/W	EQUIVALENT WATTAGE
LSSW20S40	Standard	2000	25W	80	35W

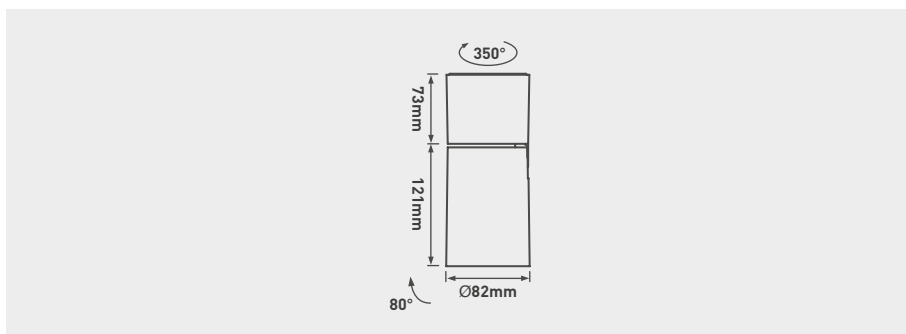
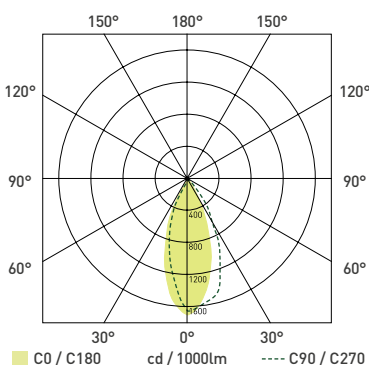
LUMINOUS INTENSITY



LSSW20S40-38° LUMINAIRE PERFORMANCE

Light Output Ratio: 100%
 Luminaire Efficacy: 78 lm/W
 Light Distribution: A80 ↓100.0% ↑0.0%
 CIE Flux Codes: 97 99 100 100 100
 UGR 4H 8H (20%, 50%, 70%)C0 / C90: 17.6 / 15.6

LUMINOUS INTENSITY



PULLOUT SPOT LIGHT RECESSED

- Recessed spotlight with retractable head to match Luceco track spot circular range
- Lumen outputs comparable to CDM-T Lamps
- Remote fixed output driver included
- 24° lens fitted 38° lens also supplied



LSRW20S40-24°

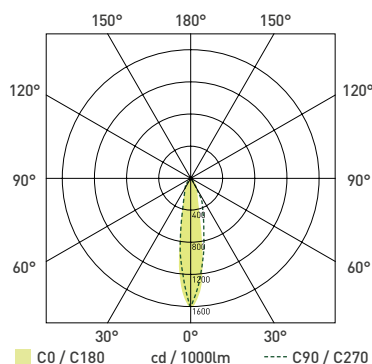
LUMINAIRE PERFORMANCE

Light Output Ratio: 100%
 Luminaire Efficacy: 75 lm/W
 Light Distribution: A70 ↓100.0% ↑0.0%
 CIE Flux Codes: 91 99 100 100 100
 UGR 4H 8H (20%, 50%, 70%)C0 / C90: 21.3 / 20.4



CAT NO.	DRIVER	LUMINAIRE LUMENS	WATTAGE	EFFICACY Llm/W	EQUIVALENT WATTAGE
LSRW20S40	Standard	1950	25W	78	35W

LUMINOUS INTENSITY

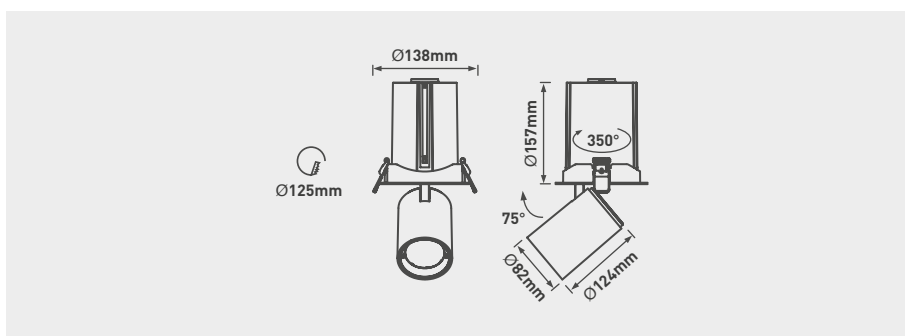
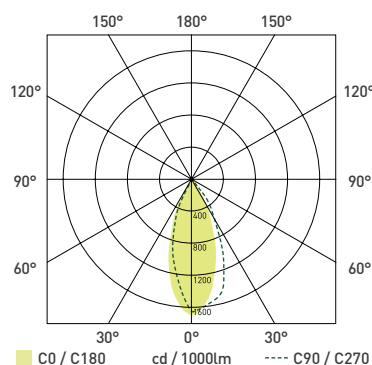


LSRW20S40-38°

LUMINAIRE PERFORMANCE

Light Output Ratio: 100%
 Luminaire Efficacy: 75 lm/W
 Light Distribution: A80 ↓100.0% ↑0.0%
 CIE Flux Codes: 97 99 100 100 100
 UGR 4H 8H (20%, 50%, 70%)C0 / C90: 17.5 / 15.5

LUMINOUS INTENSITY



CIRCULAR PENDANT SURFACE MOUNTED

- Pendant designed for localised lighting
- Lumen outputs comparable to CDM-T lamps
- 1.5m adjustable pendant
- Integral fixed output driver included
- 38° lenses fitted, 28° lens also supplied



LSPW20S40-24°

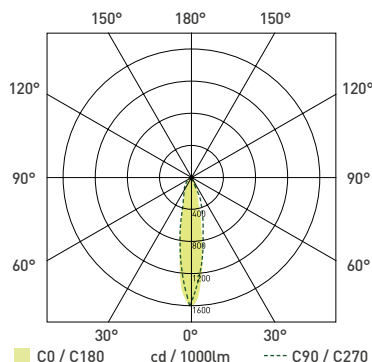
LUMINAIRE PERFORMANCE

Light Output Ratio: 100%
 Luminaire Efficacy: 78 lm/W
 Light Distribution: A70 ↓100.0% ↑0.0%
 CIE Flux Codes: 91 99 100 100 110
 UGR 4H 8H (20%, 50%, 70%)C0 / C90:



CAT NO.	DRIVER	LUMINAIRE LUMENS	WATTAGE	EFFICACY Llm/W	EQUIVALENT WATTAGE
LSPW20S40	Standard	2000	25W	80	35W

LUMINOUS INTENSITY

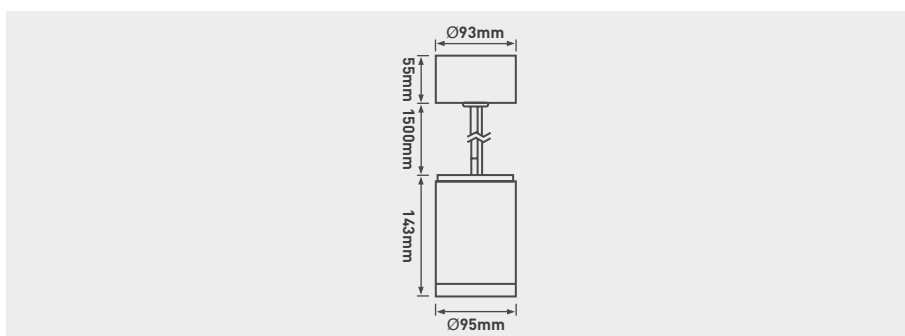
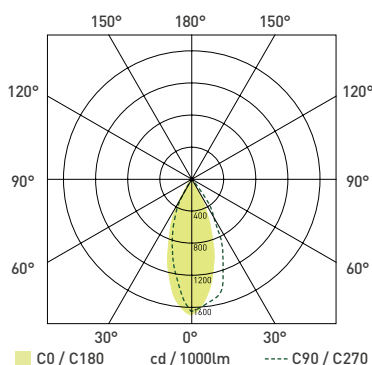


LSPW20S40-38°

LUMINAIRE PERFORMANCE

Light Output Ratio: 100%
 Luminaire Efficacy: 78 lm/W
 Light Distribution: A80 ↓100.0% ↑0.0%
 CIE Flux Codes: 97 99 100 100 100
 UGR 4H 8H (20%, 50%, 70%)C0 / C90:

LUMINOUS INTENSITY



WALLWASHER RECESSED

- True CDM-T equivalent lumen outputs
- Energy savings of 40%
- Gimbal with up to 340° adjustment
- LWCW20S40 - 24° lens fitted 38° lens also supplied
- LWCW34S40 - 40° lens fitted



LWCW20S40-24°

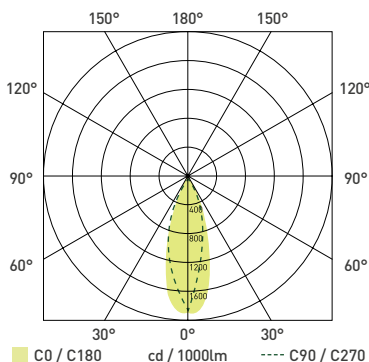
LUMINAIRE PERFORMANCE

Light Output Ratio: 100%
 Luminaire Efficacy: 80 lm/W
 Light Distribution: A70 ↓100% ↑0.0%
 CIE Flux Codes: 95 99 100 100 100
 UGR 4H 8H (20%, 50%, 70%)C0 / C90: 13.5 / 17.4



CAT NO.	DRIVER	LUMINAIRE LUMENS	WATTAGE	EFFICACY Llm/W	CURRENT	EQUIVALENT WATTAGE
LWCW20S40	Standard	1900	22W	86	550mA	35W
LWCW34S40	Standard	3200	38W	84	900mA	70W

LUMINOUS INTENSITY

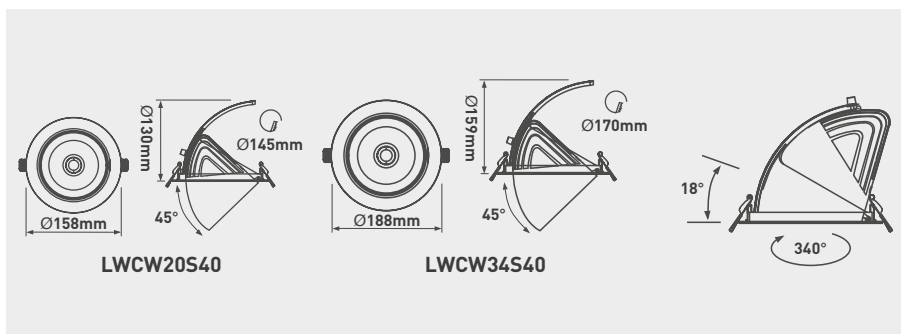
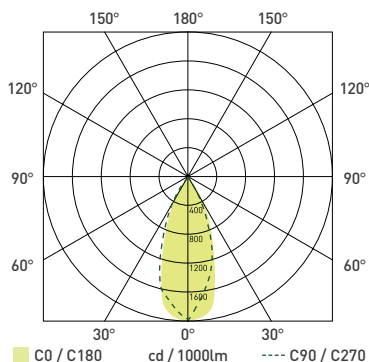


LWCW34S40-40°

LUMINAIRE PERFORMANCE

Light Output Ratio: 100%
 Luminaire Efficacy: 83 lm/W
 Light Distribution: A70 ↓100.0% ↑0.0%
 CIE Flux Codes: 88 95 99 100 100
 UGR 4H 8H (20%, 50%, 70%)C0 / C90: 22.2 / 22.1

LUMINOUS INTENSITY



SQUARE MODULES RECESSED



- Single or twin modules
- Lumen outputs comparable to CDM-T lamps (35W)
- Remote fixed output driver included (2x for twin)
- 24° lens fitted 38° lens also supplied
- Max 30° tilt adjustment

LMSRW20S40-24°

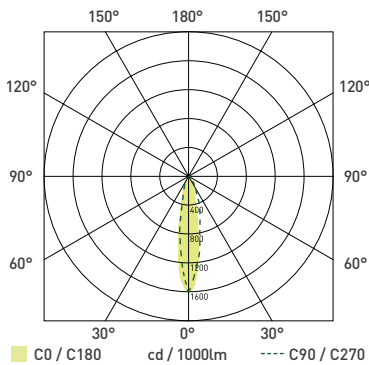
LUMINAIRE PERFORMANCE

Light Output Ratio: 100%
 Luminaire Efficacy: 80 lm/W
 Light Distribution: A70 ↓100.0% ↑0.0%
 CIE Flux Codes: 91 99 100 100 100
 UGR 4H 8H (20%, 50%, 70%)C0 / C90:
 18.5 / 17.6



CAT NO.	DRIVER	LUMINAIRE LUMENS	WATTAGE	EFFICACY Llm/W	CURRENT
LMSRW20S40	Standard	1900	22W	86	550mA
LMSRW40S40	Standard	3800	44W	86	550mA

LUMINOUS INTENSITY

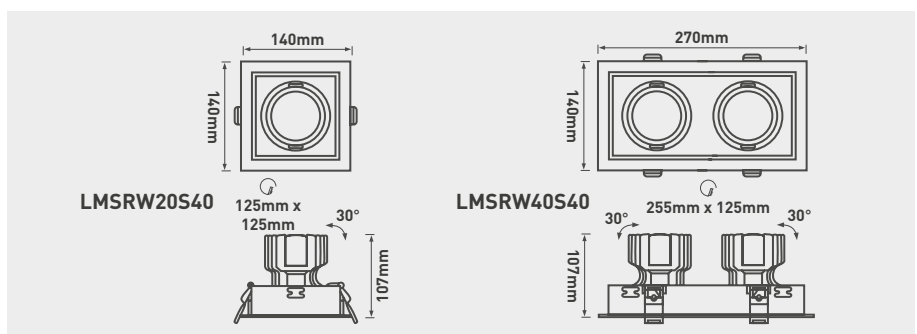
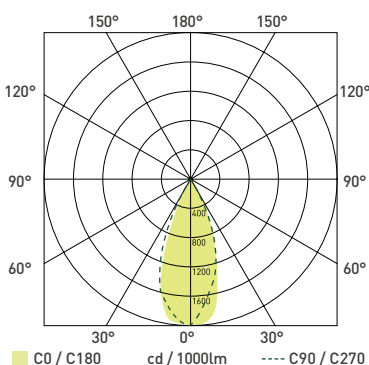


LMSRW20S40-38°

LUMINAIRE PERFORMANCE

Light Output Ratio: 100%
 Luminaire Efficacy: 80 lm/W
 Light Distribution: A70 ↓100.0% ↑0.0%
 CIE Flux Codes: 88 95 99 100 100
 UGR 4H 8H (20%, 50%, 70%)C0 / C90:
 23.5 / 23.3

LUMINOUS INTENSITY





TASKA UNDER CABINET

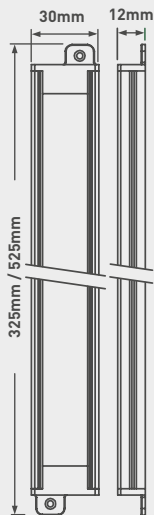
- No LED 'spots' reflected in work tops
- Warm and neutral white options to suit traditional and contemporary kitchens
- Connectors to allow linking
- 50W remote driver (4100mA) = LUCLDR50
24W plug in driver (2000mA) = LUCLDP24



CAT NO.	SIZE	LUMINAIRE LUMENS	WATTAGE	EFFICACY Llm/W	COLOUR TEMP
LUCL300CW	300mm	290	5W	58	4000K
LUCL300WW	300mm	250	5W	50	2700K
LUCL500CW	500mm	620	9W	69	4000K
LUCL500WW	500mm	520	9W	58	2700K

COMPATIBLE ACCESSORIES

Connectors, see page 71



LINKING OPERATION

2700K
WARM
WHITE

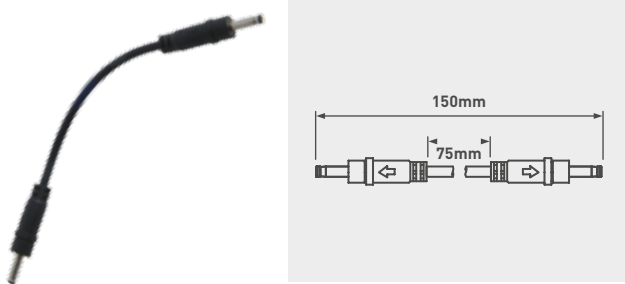


4000K
NEUTRAL
WHITE

CONNECTING LEAD

LUCLACCL

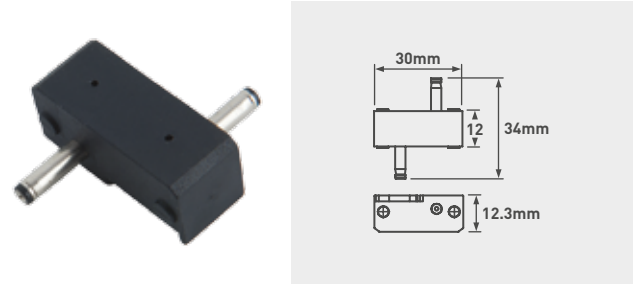
- Interconnect lead



STRAIGHT CONNECTOR

LUCLACSC

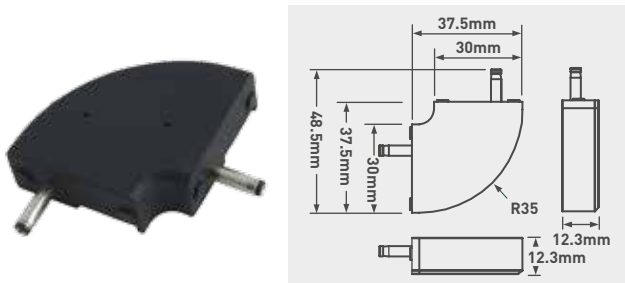
- Straight/Butt connector



CORNER CONNECTOR

LUCLAC90

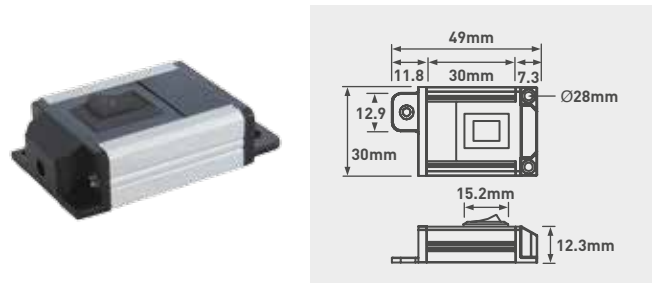
- Internal bend connector



SWITCH

LUCLACSW

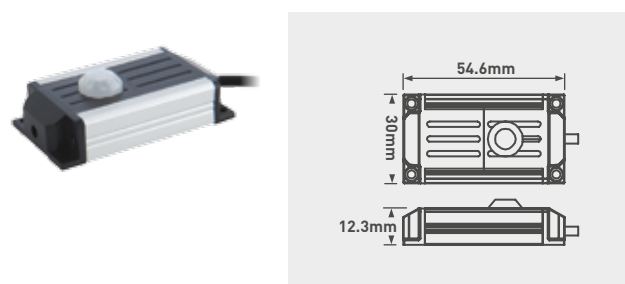
- Inline switch for localised switching



PIR SWITCH

LUCLACPIR

- Sensor for localised switching



ACCENT/DISPLAY SPECIFICATION

	ATOM		PLATINUM MINI						PLATINUM GLOSS						PLATINUM MATT						CARBON							
	LFR5**475D40	LFR5**450D27	LDP15W11*S40	LDP15W11*D40	LDP15W15*S40	LDP15W15*D40	LDP15W21*S40	LDP15W21*D40	LDP20W32GS40	LDP20W32GD40	LDP20W22GS40	LDP20W22GD40	LDP20W16GS40	LDP20W16GD40	LDP20W12GS40	LDP20W12GD40	LDP20W31GS40	LDP20W31GD40	LDP20W21GS40	LDP20W21GD40	LDP20W15GS40	LDP20W15GD40	LDP20W11GS40	LDP20W11GD40	LBDL8S40	LBDL8S40	LBDL6S40	
PAGE NUMBER	51	51	52	52	52	52	52	52	54	54	54	54	54	54	54	54	54	54	54	54	54	54	54	54	56	56	57	
LENGTH / DIA (mm)	84	84	165	165	165	165	165	165	218	218	218	218	218	218	218	218	218	218	218	218	218	218	218	218	245	245	197	
WIDTH (mm)	N/A																											
HEIGHT/DEPTH (mm)	110	110	90	90	90	90	90	90	115	115	115	115	115	115	115	115	115	115	115	115	115	115	115	115	99	99	85	
WEIGHT (kg)	0.4	0.4	0.72	0.72	0.72	0.72	0.72	0.72	1.25	1.25	1.15	1.15	1.15	1.15	1.15	1.15	1.25	1.25	1.15	1.15	1.15	1.15	1.15	1.15	0.5	0.5	0.35	
L FIXING CENTRES (mm)	N/A																											
W FIXING CENTRES (mm)	N/A																											
CEILING CUT OUT (mm)	67	67	150	150	150	150	150	150	205	205	205	205	205	205	205	205	205	205	205	205	205	205	205	205	210	210	175	
LUMINAIRE LUMENS (Lm)	475	450	1050	1050	1500	1500	2050	2050	3200	3200	2200	2200	1600	1600	1200	1200	3050	3050	2050	2050	1500	1500	1100	1100	2000	2000	1500	
LUMINAIRE WATTAGE (W)	5.2	5.2	9	9	13	13	19	19	33	33	22	22	16	16	12	12	33	33	22	22	16	16	12	12	22	22	15	
EFFICACY Llm/W	91	87	117	117	115	115	108	108	97	97	98	98	100	100	100	100	92	92	93	93	94	94	92	92	91	91	100	
CCT (K)	4000	2700	4000																									
CRI	>80																											
UGR	N/A	N/A	<16	<16	<17	<17	<18	<18	<21	<21	<20	<20	<19	<19	<18	<18	<21	<21	<20	<20	<19	<19	<18	<18	N/A	N/A	N/A	
IP RATED	IP65	IP65	IP44																									
IK RATED	N/A																											
GLOW WIRE (°C)	N/A																											
RAL COLOUR	WH/PC/BS	WH/PC/BS	9016	9016	9016	9016	9016	9016	9016	9016	9016	9016	9016	9016	9016	9016	9016	9016	9016	9016	9016	9016	9016	9016	9016	9016	9016	9016
TEMP. RANGE (°C)	0 to +30	0 to +30	-20 to +30	-20 to +30	-20 to +30	-20 to +30	-20 to +30	-20 to +30	-20 to +30	-20 to +30	-20 to +30	-20 to +30	-20 to +30	-20 to +30	-20 to +30	-20 to +30	-20 to +30	-20 to +30	-20 to +30	-20 to +30	-20 to +30	-20 to +30	-20 to +30	-20 to +30	-20 to +40	-20 to +40	-20 to +40	
RATED LIFE (HR)	50,000																											
AMBIENT TEMP. RATED LIFE (°C)	25																											
L AT RATED LIFE	70																											
B AT RATED LIFE	50	50	10	10	10	10	10	10	10	10	10	10	10	10	10	10	10	10	10	10	10	10	10	10	50	50	50	
VOLTAGE RANGE	220-240V																											
FREQUENCY	50hz																											
EMERGENCY PACK CODE	N/A		LED3EP80-0J																									
WARRANTY (3/5 YEARS)	5 YEAR WARRANTY		5 YEAR WARRANTY																									

All data/figures shown are for information and should be validated prior to any critical actions. Luceco reserve the right to change specifications without notice. Different specification parameters, such as CCTK, B and L values are available, subject to quantity criteria for selected luminaires.

	CARBON			TRACK SPOTS				SURFACE SPOT	RECESSED SPOT	PENDANT SPOT	WALLWASHER		SQUARE MODULES		TASKA			
	LBDL6D40	LBDL6S40	LBDL4D40	LTCW20S40	LTCW28S40	LTSW20S40	LTSW28S40	LSSW20S40	LSRW20S40	LSPW20S40	LWCW20S40	LWCW34S40	LMSRW20S40	LMSRW40S40	LUCL300CW	LUCL300WW	LUCL500CW	LUCL500WW
PAGE NUMBER	57	58	58	62	62	63	63	64	65	66	67	67	68	68	70	70	70	70
LENGTH / DIA (mm)	197	145	145	128	153	123	145	82	138	95	158	188	140	270	300	300	500	500
WIDTH (mm)	N/A	N/A	N/A	82	95	85	100	-	-	-	-	-	140	140	30	30	30	30
HEIGHT/DEPTH (mm)	85	79	79	168	206	111	131	194	157	143	130	159	107	107	12	12	12	12
WEIGHT (kg)	0.35	0.2	0.2	1	1.6	1.1	1.7	0.9	0.9	1.3	1.1	1.4	0.9	1.6	0.1	0.1	0.16	0.16
L FIXING CENTRES (mm)	N/A																	
W FIXING CENTRES (mm)	N/A																	
CEILING CUT OUT (mm)	175	120	120	N/A	N/A	N/A	N/A	-	125	N/A	125	170	125 x 125	255 x 125	N/A	N/A	N/A	N/A
LUMINAIRE LUMENS (Lm)	1500	1000	1000	2050	2800	2000	2800	2000	1950	2000	1900	3200	1900	3800	290	250	620	520
LUMINAIRE WATTAGE (W)	15	11	11	25	35	24	34	25	25	25	22	38	22	44	5	5	9	9
EFFICACY Lm/W	100	91	91	82	80	80	80	80	78	80	86	84	86	86	58	50	69	58
CCT (K)	4000															2700	4000	2700
CRI	>80																	
UGR	N/A	N/A	N/A	≤20	≤21	≤20	≤21	≤20	≤20	≤20	≤20	≤20	≤20	≤20	≤20	≤20	≤20	≤20
IP RATED	IP44	IP44	IP44	IP20	IP20	IP20	IP20	IP20	IP20	IP20	IP20	IP20	IP20	IP20	IP20	IP20	IP20	IP20
IK RATED	N/A																	
GLOW WIRE (°C)	N/A																	
RAL COLOUR	9016	9016	9016	9016	9016	9016	9016	9016	9016	9016	9016	9016	9016	9016	N/A	N/A	N/A	N/A
TEMP. RANGE (°C)	-20 to +40	-20 to +40	-20 to +40	0 to +30	0 to +30	0 to +30	0 to +30	0 to +30	0 to +30	0 to +30	0 to +30	0 to +30	0 to +30	0 to +30	0 to +30	0 to +30	0 to +30	0 to +30
RATED LIFE (HR)	50,000			35,000														
AMBIENT TEMP. RATED LIFE (°C)	25																	
L AT RATED LIFE	70																	
B AT RATED LIFE	50																	
VOLTAGE RANGE	220-240V																	
FREQUENCY	50hz																	
EMERGENCY PACK CODE	LED3EP80-OJ			N/A														
WARRANTY (3 /5YEARS)	5 YEAR WARRANTY			3 YEAR WARRANTY														



AMBIENT/AMENITY



75
Celeste



76
Mosi
Circular



77
Mosi
Square

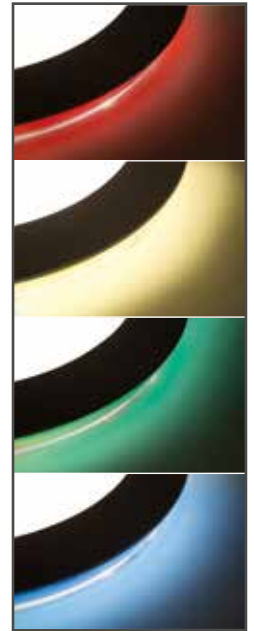


78
Fortis
Bulkhead



79
Atlas

CELESTE



Surface or suspended mounting with 'corona' effect; 87% front / 13% coloured halo and 80/20 distribution

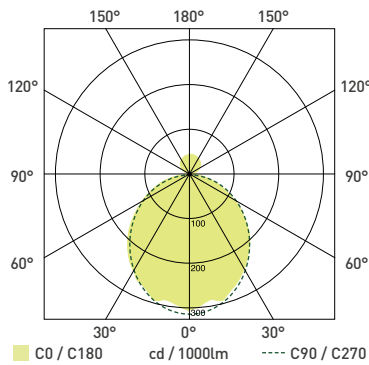
- Colour insert accessories for backlight accent
- Choice of decorative trim bezels

LBC13S40

LUMINAIRE PERFORMANCE

Light Output Ratio: 100%
 Luminaire Efficacy: 99.21 lm/W
 Light Distribution: B43 ↓86.8% ↑13.2%
 CIE Flux Codes: 47 78 94 87 100
 UGR 4H 8H (20%, 50%, 70%)C0 / C90: 16.2 / 16.2

LUMINOUS INTENSITY

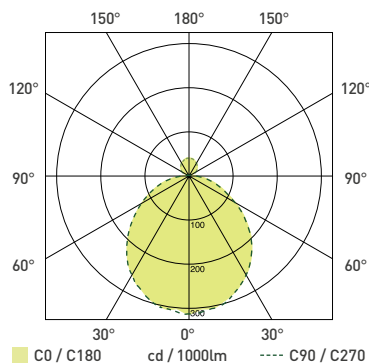


LBC32S40

LUMINAIRE PERFORMANCE

Light Output Ratio: 100%
 Luminaire Efficacy: 103.9 lm/W
 Light Distribution: B43 ↓86.8% ↑13.2%
 CIE Flux Codes: 47 78 94 87 100
 UGR 4H 8H (20%, 50%, 70%)C0 / C90: 19.5 / 19.5

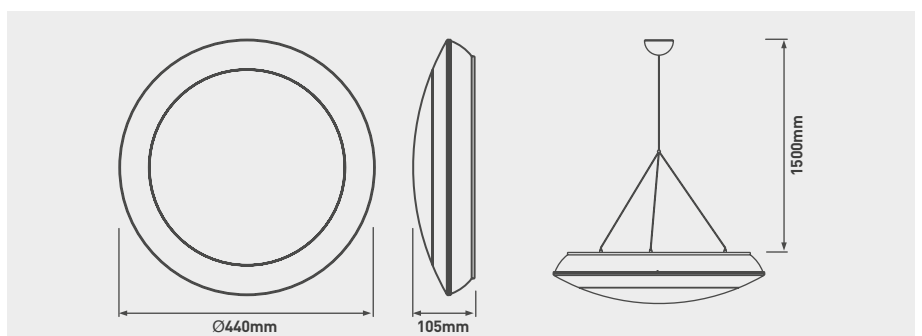
LUMINOUS INTENSITY



CAT NO.	DRIVER	LUMINAIRE LUMENS	WATTAGE	EFFICACY Llm/W	CURRENT	EQUIVALENT WATTAGE
LBC13S40	Standard	1250	12W	104	300mA	28W 2D
LBC13E40	Emergency	1250	12W	104	300mA	28W 2D
LBC13S40MW	Microwave	1250	12W	104	300mA	28W 2D
LBC13D40	Digital Dimmable	1250	12W	104	300mA	28W 2D
LBC13ED40	Digital Dim Emerg	1250	12W	104	300mA	28W 2D
LBC13D40MW	Digital Dim Micro	1250	12W	104	300mA	28W 2D
LBC13ED40MW	Dig Dim Micro Emerg	1250	12W	104	300mA	28W 2D
LBC22S40	Standard	2200	21W	105	500mA	38W 2D
LBC22E40	Emergency	2200	21W	105	500mA	38W 2D
LBC22S40MW	Microwave	2200	21W	105	500mA	38W 2D
LBC22D40	Digital Dimmable	2200	21W	105	500mA	38W 2D
LBC22ED40	Digital Dim Emerg	2200	21W	105	500mA	38W 2D
LBC22D40MW	Digital Dim Micro	2200	21W	105	500mA	38W 2D
LBC22ED40MW	Dig Dim Micro Emerg	2200	21W	105	500mA	38W 2D
LBC32S40	Standard	3200	30W	107	700mA	55W 2D
LBC32E40	Emergency	3200	30W	107	700mA	55W 2D
LBC32S40MW	Microwave	3200	30W	107	700mA	55W 2D
LBC32D40	Digital Dimmable	3200	30W	107	700mA	55W 2D
LBC32ED40	Digital Dim Emerg	3200	30W	107	700mA	55W 2D
LBC32D40MW	Digital Dim Micro	3200	30W	107	700mA	55W 2D
LBC32ED40MW	Dig Dim Micro Emerg	3200	30W	107	700mA	55W 2D

COMPATIBLE ACCESSORIES

CAT NO.	DESCRIPTION	CAT NO.	DESCRIPTION
LBCTBS	Brushed Steel Bezel	LBCHIRE	Red Halo Insert
LBCTPC	Polished Chrome Bezel	LBCHIGR	Green Halo Insert
LBCWSK315	3 Point 1.5mtr Suspension Kit	LBCHIYE	Yellow Halo Insert
		LBCHIBL	Blue Halo Insert



MOSI BULKHEAD

ROUND

- Polycarbonate construction
- Opal prism diffuser for lower glare
- 4 side and 1 rear cable entry points

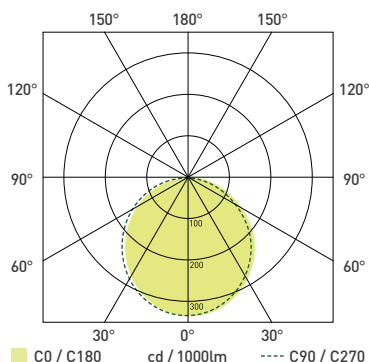


LBM290B11S40

LUMINAIRE PERFORMANCE

Light Output Ratio: 100%
 Luminaire Efficacy: 102.38 lm/W
 Light Distribution: A41 ↓93.7% ↑6.3%
 CIE Flux Codes: 44 74 92 94 100
 UGR 4H 8H (20%, 50%, 70%)C0 / C90:
 21.0 / 21.0

LUMINOUS INTENSITY



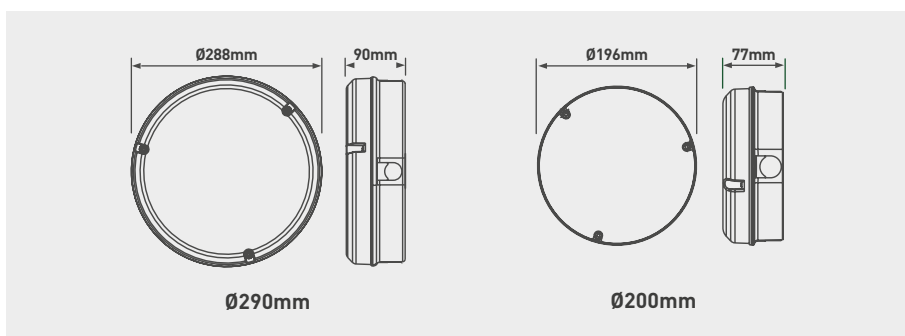
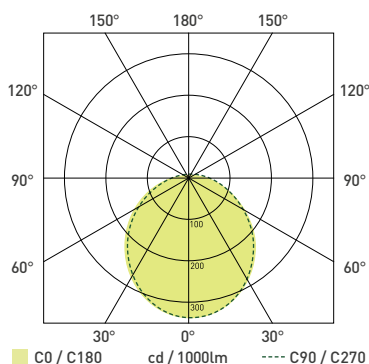
CAT NO.	DRIVER	SIZE	BASE COLOUR	LUMINAIRE LUMENS	WATTAGE	EFFICACY Lm/W	EQUIVALENT WATTAGE
LBM290B11S40	Standard	Ø290mm	Black	1150	11W	105	28W 2D
LBM290B11S40MW	Microwave	Ø290mm	Black	1150	12W	95	28W 2D
LBM290B11E40	Emergency	Ø290mm	Black	1150	12W	95	28W 2D
LBM290B11E40MW	Microwave Emergency	Ø290mm	Black	1150	12W	95	28W 2D
LBM290W11S40	Standard	Ø290mm	White	1150	11W	105	28W 2D
LBM290W11S40MW	Microwave	Ø290mm	White	1150	12W	95	28W 2D
LBM290W11E40	Emergency	Ø290mm	White	1150	12W	95	28W 2D
LBM290W11E40MW	Microwave Emergency	Ø290mm	White	1150	12W	95	28W 2D
LBM200B7S40	Standard	Ø200mm	Black	735	7W	105	16W 2D
LBM200W7S40	Standard	Ø200mm	White	735	7W	105	16W 2D

LBM200B7S40

LUMINAIRE PERFORMANCE

Light Output Ratio: 100%
 Luminaire Efficacy: 105.56 lm/W
 Light Distribution: A41 ↓93.7% ↑6.3%
 CIE Flux Codes: 44 74 92 94 100
 UGR 4H 8H (20%, 50%, 70%)C0 / C90:
 21.9 / 21.9

LUMINOUS INTENSITY



MOSI BULKHEAD

SQUARE

- Opal prism diffuser for lower glare
- Polycarbonate construction
- Simple installation
- 4 side and 1 rear cable entry point

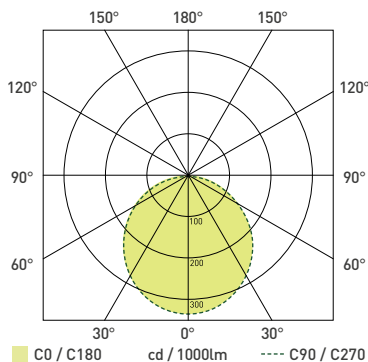


LBM33B11S40

LUMINAIRE PERFORMANCE

Light Output Ratio: 100%
 Luminaire Efficacy: 102.38 lm/W
 Light Distribution: A41 ↓93.7% ↑6.3%
 CIE Flux Codes: 44 74 92 94 100
 UGR 4H 8H (20%, 50%, 70%)C0 / C90: 20.4 / 20.4

LUMINOUS INTENSITY



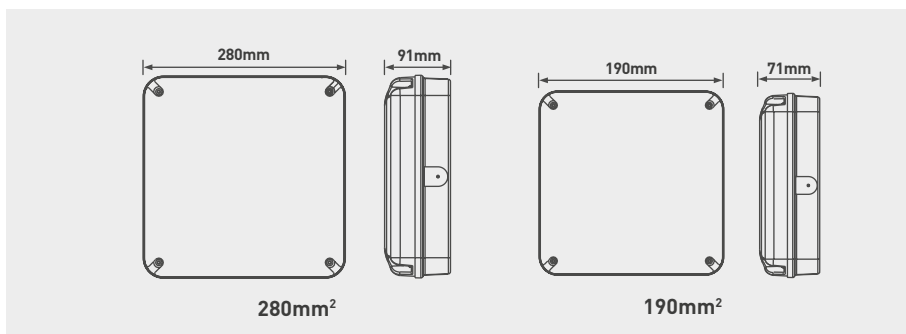
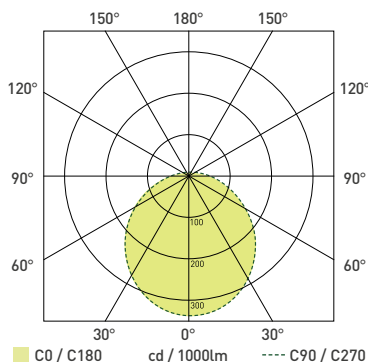
CAT NO.	DRIVER	SIZE	BASE COLOUR	LUMINAIRE LUMENS	WATTAGE	EFFICACY Llm/W	EQUIVALENT WATTAGE
LBM33B11S40	Standard	280mm ²	Black	1150	11W	105	28W 2D
LBM33B11S40MW	Microwave	280mm ²	Black	1150	12W	95	28W 2D
LBM33B11E40	Emergency	280mm ²	Black	1150	12W	95	28W 2D
LBM33B11E40MW	Microwave Emergency	280mm ²	Black	1150	12W	95	28W 2D
LBM33W11S40	Standard	280mm ²	White	1150	11W	105	28W 2D
LBM33W11S40MW	Microwave	280mm ²	White	1150	12W	95	28W 2D
LBM33W11E40	Emergency	280mm ²	White	1150	12W	95	28W 2D
LBM33W11E40MW	Microwave Emergency	280mm ²	White	1150	12W	95	28W 2D
LBM22B7S40	Standard	190mm ²	Black	735	7W	105	16W 2D
LBM22W7S40	Standard	190mm ²	White	735	7W	105	16W 2D

LBM22B7S40

LUMINAIRE PERFORMANCE

Light Output Ratio: 100%
 Luminaire Efficacy: 105.13 lm/W
 Light Distribution: A41 ↓93.7% ↑6.3%
 CIE Flux Codes: 44 74 92 94 100
 UGR 4H 8H (20%, 50%, 70%)C0 / C90: 21.1 / 21.1

LUMINOUS INTENSITY



FORTIS

BULKHEAD

- Replacement for TC-DD (2D)
- Multiple mounting options
- Microwave sensor and emergency versions
- Die-Cast housing and polycarbonate diffuser

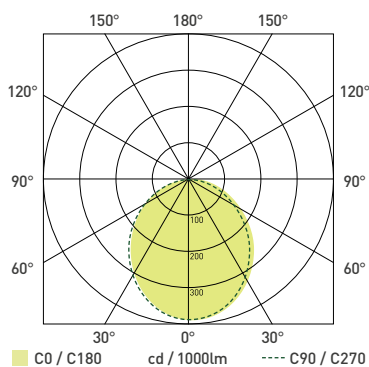


LBF13L40-01

LUMINAIRE PERFORMANCE

Light Output Ratio: 100%
 Luminaire Efficacy: 86.21 lm/W
 Light Distribution: A40 ↓98.6% ↑1.4%
 CIE Flux Codes: 49 79 95 99 100
 UGR 4H 8H (20%, 50%, 70%)C0 / C90: 18.4 / 20.1

LUMINOUS INTENSITY



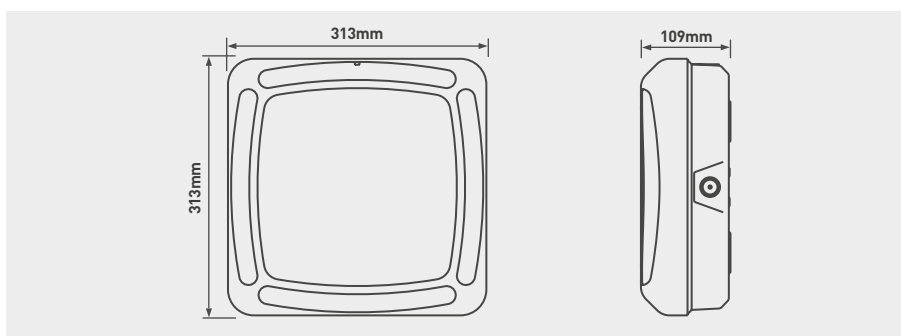
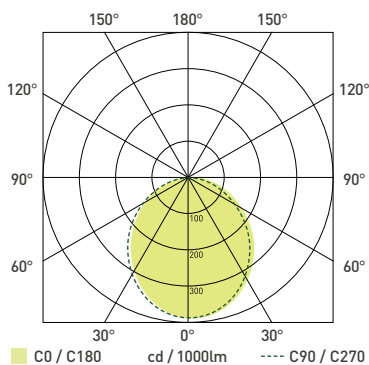
CAT NO.	DRIVER	LUMINAIRE LUMENS	WATTAGE	EFFICACY Llm/W	EQUIVALENT WATTAGE
LBF13L40	Standard	1250	14W	89	28W 2D
LBF13L40MW	Microwave	1250	14W	89	28W 2D
LBF13E40	Emergency	1250	15W	83	28W 2D
LBF13E40MW	Microwave Emergency	1250	15W	83	28W 2D
LBF21L40	Standard	2100	24W	88	38W 2D
LBF21L40MW	Microwave	2100	24W	88	38W 2D
LBF21E40	Emergency	2100	25W	84	38W 2D
LBF21E40MW	Microwave Emergency	2100	25W	84	38W 2D

LBF21L40-01

LUMINAIRE PERFORMANCE

Light Output Ratio: 100%
 Luminaire Efficacy: 87.5 lm/W
 Light Distribution: A40 ↓98.6% ↑1.4%
 CIE Flux Codes: 49 79 95 99 100
 UGR 4H 8H (20%, 50%, 70%)C0 / C90: 20.2 / 21.9

LUMINOUS INTENSITY



ATLAS BULKHEAD

- Polycarbonate construction
- Replacement for TC-DD (2D)
- Multiple mounting options
- Microwave sensor and emergency versions
- 0% or 10% Corridor mode available on MW version

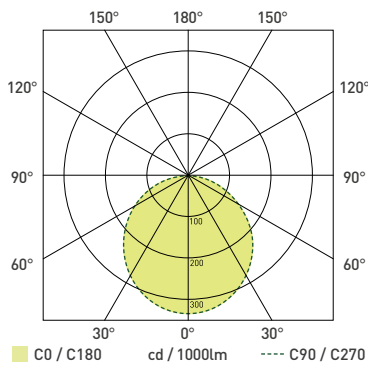


LBH154K

LUMINAIRE PERFORMANCE

Light Output Ratio: 100%
 Luminaire Efficacy: 91 lm/W
 Light Distribution: A40 ↓98.2% ↑1.8%
 CIE Flux Codes: 46 77 94 98 100
 UGR 4H 8H (20%, 50%, 70%)C0 / C90:
 21.2 / 21.3

LUMINOUS INTENSITY

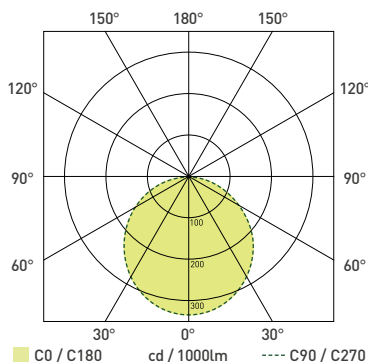


LBH214K

LUMINAIRE PERFORMANCE

Light Output Ratio: 100%
 Luminaire Efficacy: 87.5 lm/W
 Light Distribution: A40 ↓98.2% ↑1.8%
 CIE Flux Codes: 46 77 94 98 100
 UGR 4H 8H (20%, 50%, 70%)C0 / C90:
 24.0 / 24.0

LUMINOUS INTENSITY



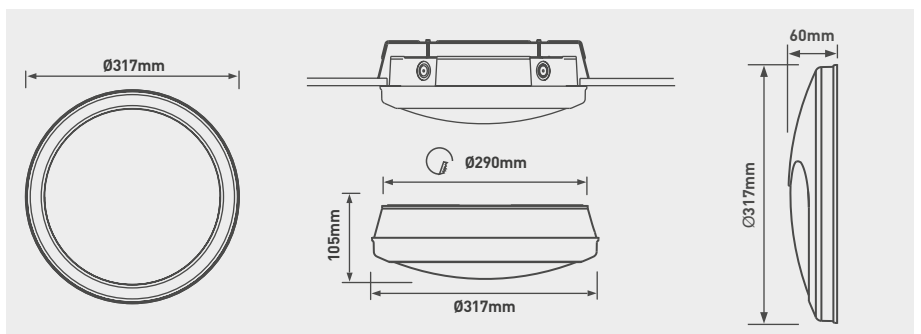
CAT NO.	DRIVER	LUMINAIRE LUMENS	WATTAGE	EFFICACY Llm/W	EQUIVALENT WATTAGE
LBH154K	Standard	1250	14W	88	28 TC-DD
LBH154K3M	3hr Emergency	1250	15W	81	28 TC-DD
LBH154KMW	Microwave	1250	15W	84	28 TC-DD
LBH154KMW3M	Microwave Emergency	1250	16W	78	28 TC-DD
LBH214K	Standard	2100	24W	88	38 TC-DD
LBH214K3M	3hr Emergency	2100	26W	81	38 TC-DD
LBH214KMW	Microwave	2100	25W	84	38 TC-DD
LBH214KMW3M	Microwave Emergency	2100	27W	78	38 TC-DD

INTERIOR ACCESSORIES

- Eyelid cover accessory, ideal for wall mounted applications



CAT NO.	DESCRIPTION
LBH154APE	Plastic Eyelid Cover



AMBIENT/AMENITY SPECIFICATION

	CELESTE																				MOSI ROUND				MOSI SQUARE			
	LBC13S40-01	LBC13E40-01	LBC13S40MW-01	LBC13D40-01	LBC13ED40-01	LBC13D40MW-01	LBC13ED40MW-01	LBC22S40-01	LBC22E40-01	LBC22S40MW-01	LBC22D40-01	LBC22ED40-01	LBC22D40MW-01	LBC22ED40MW-01	LBC32S40-01	LBC32E40-01	LBC32S40MW-01	LBC32D40-01	LBC32ED40-01	LBC32D40MW-01	LBC32ED40MW-01	LBM290*11S40	LBM290*11S40MW	LBM290*11E40	LBM200*7S40	LBM33*11S40	LBM33*11S40MW	
PAGE NUMBER	75	75	75	75	75	75	75	75	75	75	75	75	75	75	75	75	75	75	75	75	75	76	76	76	76	77	77	
LENGTH / DIA (mm)	440	440	440	440	440	440	440	440	440	440	440	440	440	440	440	440	440	440	440	440	440	290	290	290	290	280	280	
WIDTH (mm)	N/A	N/A	N/A	N/A	N/A	N/A	N/A	N/A	N/A	N/A	N/A	N/A	N/A	N/A	N/A	N/A	N/A	N/A	N/A	N/A	N/A	N/A	N/A	N/A	N/A	280	280	
HEIGHT/DEPTH (mm)	105	105	105	105	105	105	105	105	105	105	105	105	105	105	105	105	105	105	105	105	105	90	90	90	77	91	91	
WEIGHT (kg)	2.1	3	2.3	2.1	3	2.3	3.2	2.1	3	2.3	2.1	3	2.3	3.2	2.1	3	2.3	2.1	3	2.3	3.2	0.9	1.1	1.5	0.6	0.9	1.1	
L FIXING CENTRES (mm)	200 + BESA	200 + BESA	200 + BESA	200 + BESA	200 + BESA	200 + BESA	200 + BESA	200 + BESA	200 + BESA	200 + BESA	200 + BESA	200 + BESA	200 + BESA	200 + BESA	200 + BESA	200 + BESA	200 + BESA	200 + BESA	200 + BESA	200 + BESA	200 + BESA	N/A	N/A	N/A	N/A	N/A	N/A	
W FIXING CENTRES (mm)	200 + BESA	200 + BESA	200 + BESA	200 + BESA	200 + BESA	200 + BESA	200 + BESA	200 + BESA	200 + BESA	200 + BESA	200 + BESA	200 + BESA	200 + BESA	200 + BESA	200 + BESA	200 + BESA	200 + BESA	200 + BESA	200 + BESA	200 + BESA	200 + BESA	N/A	N/A	N/A	N/A	N/A	N/A	
CEILING CUT OUT (mm)	N/A																											
LUMINAIRE LUMENS (Lm)	1250	1250	1250	1250	1250	1250	2200	2200	2200	2200	2200	2200	2200	2200	3200	3200	3200	3200	3200	3200	3200	3200	1150	1150	1150	1150	1150	1150
LUMINAIRE WATTAGE (W)	12	12	12	12	12	12	21	21	21	21	21	21	21	21	30	30	30	30	30	30	30	30	11	12	12	7	11	12
EFFICACY Llm/W	104	104	104	104	104	104	105	105	105	105	105	105	105	105	107	107	107	107	107	107	107	107	105	95	95	105	105	95
CCT (K)	4000																											
CRI	>80																											
UGR	≤16	≤16	≤16	≤16	≤16	≤16	≤18	≤18	≤18	≤18	≤18	≤18	≤18	≤18	≤19	≤19	≤19	≤19	≤19	≤19	≤19	≤19	≤21	≤21	≤21	≤21	≤20	≤20
IP RATED	IP40																				IP65							
IK RATED	IK04	IK04	IK04	IK04	IK04	IK04	IK04	IK04	IK04	IK04	IK04	IK04	IK04	IK04	IK04	IK04	IK04	IK04	IK04	IK04	IK04	IK08	IK08	IK08	IK08	IK08	IK08	
GLOW WIRE (°C)	850	850	850	850	850	850	850	850	850	850	850	850	850	850	850	850	850	850	850	850	850	650	650	650	650	650	650	
RAL COLOUR	9016	9016	9016	9016	9016	9016	9016	9016	9016	9016	9016	9016	9016	9016	9016	9016	9016	9016	9016	9016	9016	White or Black	White or Black	White or Black	White or Black	White or Black	White or Black	
TEMP. RANGE (°C)	-20 + 40	-20 + 40	-20 + 40	-20 + 40	-20 + 40	-20 + 40	-20 + 40	-20 + 40	-20 + 40	-20 + 40	-20 + 40	-20 + 40	-20 + 40	0 + 40	-20 + 40	0 + 40	-20 + 40	-20 + 40	0 + 40	-20 + 40	0 + 40	-20 + 30	-20 + 30	0 + 30	-20 + 30	-20 + 30	-20 + 30	
RATED LIFE (HR)	50,000																				30,000							
AMBIENT TEMP. RATED LIFE (°C)	25																											
L AT RATED LIFE	70																											
B AT RATED LIFE	10																											
VOLTAGE RANGE	220-240V																											
FREQUENCY	50hz																											
EMERGENCY PACK CODE	N/A																											
WARRANTY (3 /5YEARS)	5 YEAR WARRANTY																				3 YEAR WARRANTY							

All data/figures shown are for information and should be validated prior to any critical actions. Luceco reserve the right to change specifications without notice.
Different specification parameters, such as CCTK, B and L values are available, subject to quantity criteria for selected luminaires

	MOSI SQUARE		FORTIS BULKHEAD								ATLAS BULKHEAD							
	LBM33*1E40	LBM22*7S40	LBF13L40	LBF13L40MW	LBF13E40	LBF13E40MW	LBF21L40	LBF21L40MW	LBF21E40	LBF21E40MW	LBH154K	LBH154K3M	LBH154KMW	LBH154KMW3M	LBH214K	LBH214K3M	LBH214KMW	LBH214KMW3M
PAGE NUMBER	77	77	78	78	78	78	78	78	78	78	79	79	79	79	79	79	79	79
LENGTH / DIA (mm)	280	280	313	313	313	313	313	313	313	313	317	317	317	317	317	317	317	317
WIDTH (mm)	280	280	313	313	313	313	313	313	313	313	-	-	-	-	-	-	-	-
HEIGHT/ DEPTH (mm)	91	91	109	109	109	109	109	109	109	109	105	105	105	105	105	105	105	105
WEIGHT (kg)	1.5	0.6	1.7	1.9	2.6	2.8	1.7	1.9	2.6	2.8	1.25	2.1	1.45	2.35	1.25	2.1	1.45	2.35
L FIXING CENTRES (mm)	N/A	N/A	BESA	BESA	BESA	BESA	BESA	BESA	BESA	BESA	BESA	BESA	BESA	BESA	BESA	BESA	BESA	BESA
W FIXING CENTRES (mm)	N/A																	
CEILING CUT OUT (mm)	N/A																	
LUMINAIRE LUMENS (Lm)	1150	735	1250	1250	1250	1250	2100	2100	2100	2100	1250	1250	1250	1250	2100	2100	2100	2100
LUMINAIRE WATTAGE (W)	12	7	14	14	15	15	24	24	25	25	14	14	15	15	24	24	25	25
EFFICACY Llm/W	95	105	89	89	83	83	88	88	84	84	89	89	83	83	88	88	84	84
CCT (K)	4000																	
CRI	>80																	
UGR	≤16	≤16	≤20	≤20	≤20	≤20	≤22	≤22	≤22	≤22	≤20	≤20	≤20	≤20	≤22	≤22	≤22	≤22
IP RATED	IP65																	
IK RATED	IK08																	
GLOW WIRE (°C)	650																	
RAL COLOUR	White or Black	White or Black	7021	7021	7021	7021	7021	7021	7021	7021	9016	9016	9016	9016	9016	9016	9016	9016
TEMP. RANGE (°C)	0 + 30	-20 + 30	-20 + 40	-20 + 40	-20 + 40	-20 + 40	-20 + 40	-20 + 40	-20 + 40	-20 + 40	-20 + 30	0 + 30	-20 + 30	0 + 30	-20 + 30	0 + 30	-20 + 30	0 + 30
RATED LIFE (HR)	30,000		50,000															
AMBIENT TEMP. RATED LIFE (°C)	25																	
L AT RATED LIFE	70																	
B AT RATED LIFE	10																	
VOLTAGE RANGE	220-240V																	
FREQUENCY	50hz																	
EMERGENCY PACK CODE	N/A																	
WARRANTY (3/5 YEARS)	3 YEAR WARRANTY		5 YEAR WARRANTY															

INDUSTRIAL



83
LuxBay



84
Ceres



86
Titan



89
Indus



90
Climate



96
LuxPack

LUXBAY

- Suitable for trunking/surface or suspension mounting
- Alternative to T5, PL and HID lowbay luminaires
- Available with on/off or dimmable presence detectors
- Also available with dimmable driver and 6 pole ensto connector



LLBW16S40

LUMINAIRE PERFORMANCE

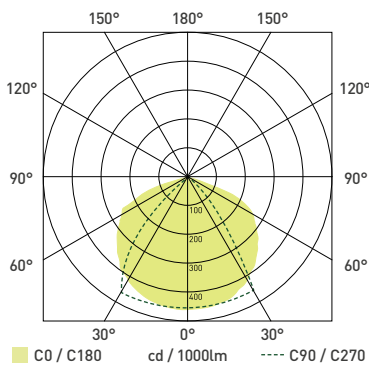
Light Output Ratio: 100%
 Luminaire Efficacy: 105 lm/W
 Light Distribution: A50 ↓100.0% ↑0.0%
 CIE Flux Codes: 67 93 99 100 100
 UGR 4H 8H (20%, 50%, 70%)C0 / C90: 24.4 / 18.0



WIDE CLEAR LENS

CAT NO.	DRIVER	LUMINAIRE LUMENS	WATTAGE	EFFICACY Lm/W	CURRENT
LLBW11S40	Standard	10,500	100W	105	1400mA
LLBW11E40	Emergency	10,500	100W	105	1400mA
LLBW16S40	Standard	15,800	150W	105	2100mA
LLBW16E40	Emergency	15,800	150W	105	2100mA
LLBW21S40	Standard	21,000	200W	105	2x1400mA
LLBW21E40	Emergency	21,000	200W	105	2x1400mA

LUMINOUS INTENSITY



LLBN16S40

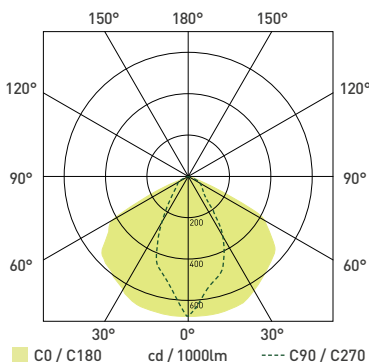
LUMINAIRE PERFORMANCE

Light Output Ratio: 100%
 Luminaire Efficacy: 104.66 lm/W
 Light Distribution: A50 ↓100.0% ↑0.0%
 CIE Flux Codes: 68 92 99 100 100
 UGR 4H 8H (20%, 50%, 70%)C0 / C90: 24.4 / 15.4

NARROW AISLE LENS

CAT NO.	DRIVER	LUMINAIRE LUMENS	WATTAGE	EFFICACY Lm/W	CURRENT
LLBN11S40	Standard	10,500	100W	105	1400mA
LLBN11E40	Emergency	10,500	100W	105	1400mA
LLBN16S40	Standard	15,800	150W	105	2100mA
LLBN16E40	Emergency	15,800	150W	105	2100mA
LLBN21S40	Standard	21,000	200W	105	2x1400mA
LLBN21E40	Emergency	21,000	200W	105	2x1400mA

LUMINOUS INTENSITY



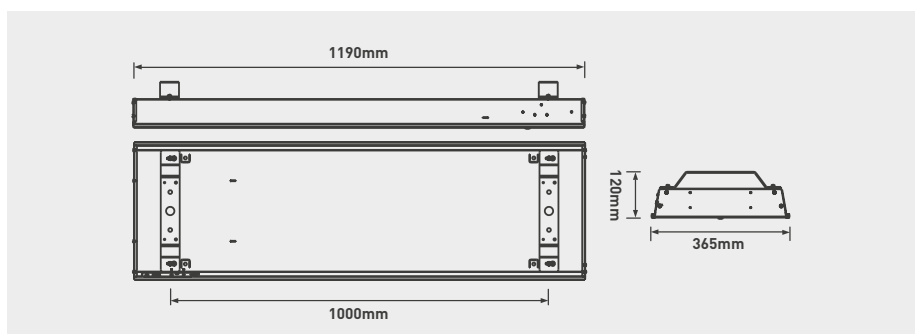
EQUIVALENTS

PRODUCT	T5 EQUIVALENT	PL EQUIVALENT	METAL HALIDE EQUIVALENT
LLBW11S40/LLBN11S40	2 x 80W T5 HO		150W
LLBW16S40/LLBN16S40	3 x 80W T5 HO	4 x 55W PL	250W
LLBW21S40/LLBN21S40	4 x 80W T5 HO	6 x 55W PL	400W

COMPATIBLE ACCESSORIES

LLBXDIFF - Clear diffuser

LLBXWIRE - Wire guard



CERES



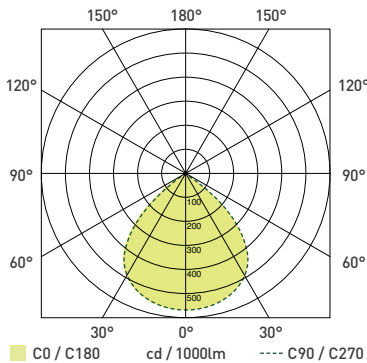
- 110Lm/W 50,000hrs life
- Available with on/off presence detection
- Compact high bay using latest lens technology
- Computer designed die-cast aluminium housing with vortex cooling effect for maximum led chip performance

LHBC11S90

LUMINAIRE PERFORMANCE

Light Output Ratio: 100%
 Luminaire Efficacy: 107.9 lm/W
 Light Distribution: A60 ↓99.0% ↑1.0%
 CIE Flux Codes: 75 99 100 99 100
 UGR 4H 8H (20%, 50%, 70%)C0 / C90: 22.5 / 21.8

LUMINOUS INTENSITY

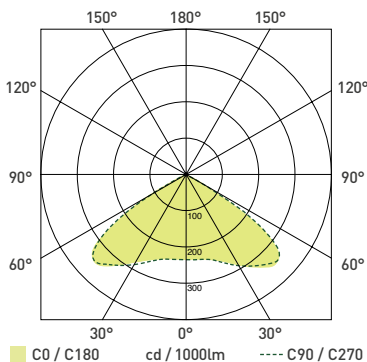


LHBC22S120

LUMINAIRE PERFORMANCE

Light Output Ratio: 100%
 Luminaire Efficacy: 110 lm/W
 Light Distribution: A40 ↓99.0% ↑1.0%
 CIE Flux Codes: 46 93 100 99 100
 UGR 4H 8H (20%, 50%, 70%)C0 / C90: 28.0 / 27.8

LUMINOUS INTENSITY



60°

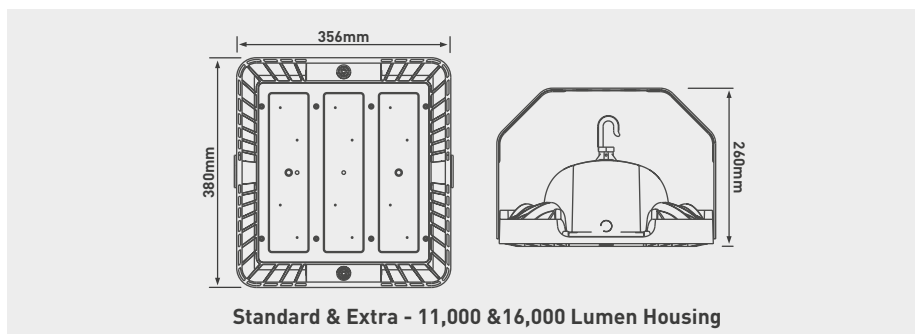
CAT NO.	DRIVER	LUMINAIRE LUMENS	WATTAGE	EFFICACY Llm/W
LHBC11S60	Standard	11000	100W	110
LHBC11E60	Emergency	11000	100W	110
LHBC22S60	Standard	22000	200W	110
LHBC22E60	Emergency	22000	200W	110

90°

CAT NO.	DRIVER	LUMINAIRE LUMENS	WATTAGE	EFFICACY Llm/W
LHBC11S90	Standard	11000	100W	110
LHBC11E90	Emergency	11000	100W	110
LHBC22S90	Standard	22000	200W	110
LHBC22E90	Emergency	22000	200W	110

120°

CAT NO.	DRIVER	LUMINAIRE LUMENS	WATTAGE	EFFICACY Llm/W
LHBC11S120	Standard	11000	100W	110
LHBC11E120	Emergency	11000	100W	110
LHBC22S120	Standard	22000	200W	110
LHBC22E120	Emergency	22000	200W	110



CERES EXTRA

- 140Llm/W 70,000hrs life
- Available with on/off presence detection
- Computer designed die-cast aluminium housing with vortex cooling effect for maximum led chip performance
- Ceres Ultra (LHBCU) 140Llm/W, 100,000hrs also available

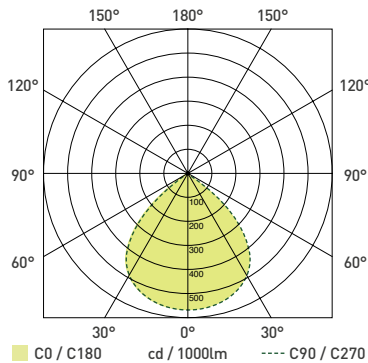


LHBCX16D90

LUMINAIRE PERFORMANCE

Light Output Ratio: 100%
 Luminaire Efficacy: 143.41 lm/W
 Light Distribution: A60 ↓99.0% ↑1.0%
 CIE Flux Codes: 75 99 100 99 100
 UGR 4H 8H (20%, 50%, 70%)C0 / C90: 23.8 / 23.1

LUMINOUS INTENSITY



60°

CAT NO.	DRIVER	LUMINAIRE LUMENS	WATTAGE	EFFICACY Llm/W
LHBCX11D60	Digital Dimmable	11000	80W	138
LHBCX11DED60	Digital Emergency Dimmable	11000	80W	138
LHBCX16D60	Digital Dimmable	16000	115W	139
LHBCX22D60	Digital Dimmable	22000	157W	140
LHBCX22DED60	Digital Emergency Dimmable	22000	157W	140
LHBCX27D60	Digital Dimmable	27000	193W	140

90°

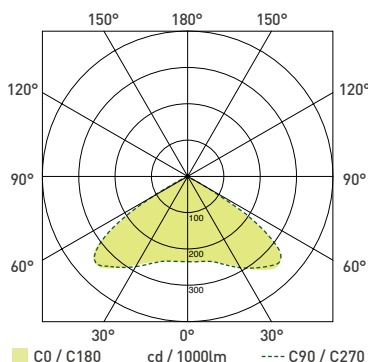
CAT NO.	DRIVER	LUMINAIRE LUMENS	WATTAGE	EFFICACY Llm/W
LHBCX11D90	Digital Dimmable	11000	80W	138
LHBCX11DED90	Digital Emergency Dimmable	11000	80W	138
LHBCX16D90	Digital Dimmable	16000	115W	139
LHBCX22D90	Digital Dimmable	22000	157W	140
LHBCX22DED90	Digital Emergency Dimmable	22000	157W	140
LHBCX27D90	Digital Dimmable	27000	193W	140

LHBCX22D120

LUMINAIRE PERFORMANCE

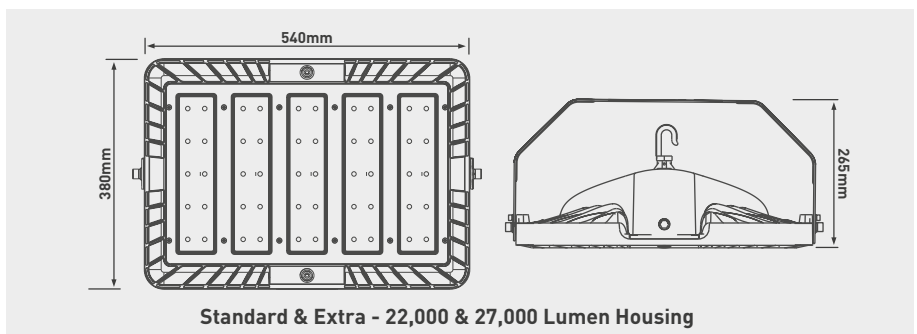
Light Output Ratio: 100%
 Luminaire Efficacy: 138.31 lm/W
 Light Distribution: A40 ↓99.0% ↑1.0%
 CIE Flux Codes: 46 93 100 99 100
 UGR 4H 8H (20%, 50%, 70%)C0 / C90: 28.0 / 27.8

LUMINOUS INTENSITY



120°

CAT NO.	DRIVER	LUMINAIRE LUMENS	WATTAGE	EFFICACY Llm/W
LHBCX11D120	Digital Dimmable	11000	80W	138
LHBCX11DED120	Digital Emergency Dimmable	11000	80W	138
LHBCX16D120	Digital Dimmable	16000	115W	139
LHBCX22D120	Digital Dimmable	22000	157W	140
LHBCX22DED120	Digital Emergency Dimmable	22000	157W	140
LHBCX27D120	Digital Dimmable	27000	193W	140



TITAN HIGH BAY

- 120W and 200W LED offering >93lm/W
- Alternative to HID High bay luminaires of 250W-400W
- No exposed glass so ideal for food storage areas



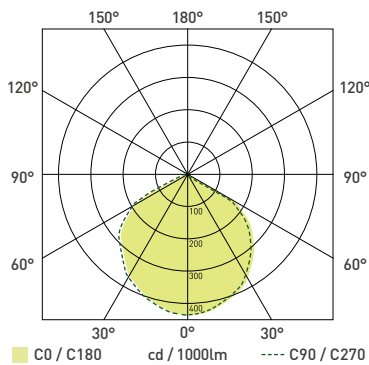
LHB120W & LHRFL120 LUMINAIRE PERFORMANCE

Light Output Ratio: 100%
 Luminaire Efficacy: 92.8 lm/W
 Light Distribution: A50 ↓100.0% ↑0.0%
 CIE Flux Codes: 57 95 100 100 101
 UGR 4H 8H (20%, 50%, 70%)C0 / C90: 21.8 / 21.6



CAT NO.	DRIVER	LUMINAIRE LUMENS	WATTAGE	EFFICACY Llm/W
LHB120W	Standard	11,190	120W	93
LHB200W	Standard	19,350	200W	96

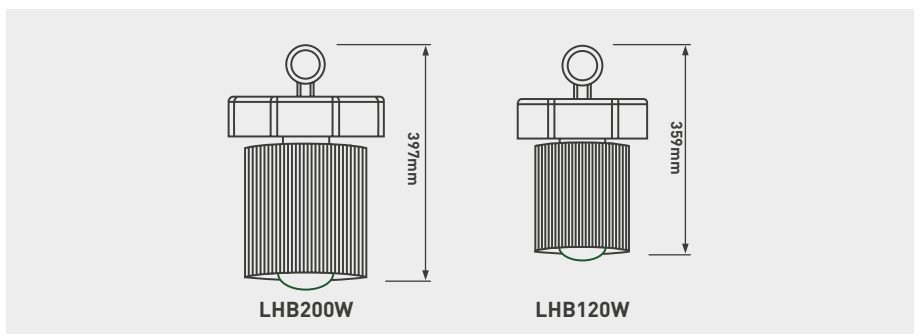
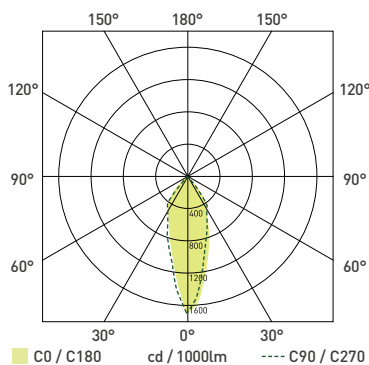
LUMINOUS INTENSITY



LHB120W & LHRFT LUMINAIRE PERFORMANCE

Light Output Ratio: 100%
 Luminaire Efficacy: 83.11 lm/W
 Light Distribution: A70 ↓100.0% ↑0.0%
 CIE Flux Codes: 91 98 100 100 97
 UGR 4H 8H (20%, 50%, 70%)C0 / C90: 14.7 / 15.0

LUMINOUS INTENSITY



60° REFLECTOR/ REFRACTOR

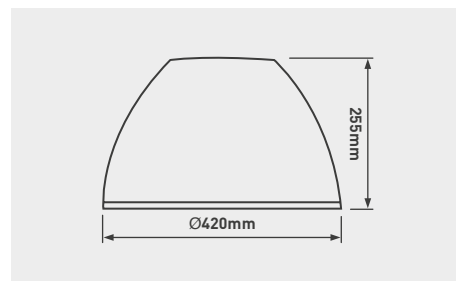
- Order separately

SILVER
FINISH

POLYCARB-
ONATE
FINISH



CAT NO.	DESCRIPTION	BEAM ANGLE
LHBRFL60	Aluminium reflector	60°
LHBRFT	Polycarbonate refractor	60°



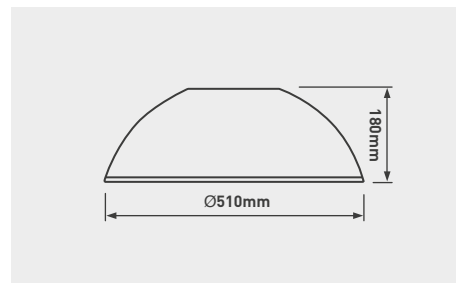
90° REFLECTOR

- Order separately

SILVER
FINISH



CAT NO.	DESCRIPTION	BEAM ANGLE
LHBRFL90	Aluminium reflector	90°



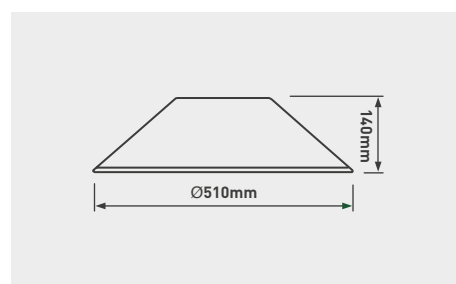
120° REFLECTOR

- Order separately

SILVER
FINISH



CAT NO.	DESCRIPTION	BEAM ANGLE
LHBRFL120	Aluminium reflector	120°





INDUS

LINKABLE

HIGH OUTPUT

LINEAR



- Supplied with mounting brackets and wiring connectors
- Mounting brackets suitable for surface, trunking or suspension mounting
- Linkable with accessories
- 1200mm inter connecting lead = LHOL3CL120
Butt connector = LHOL3CC

LHOL95S40

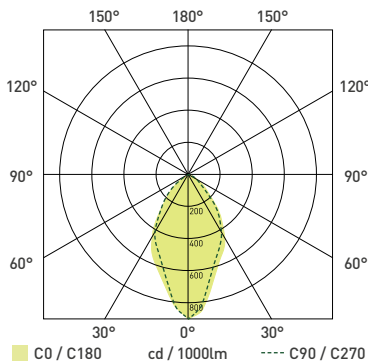
LUMINAIRE PERFORMANCE

Light Output Ratio: 100%
 Luminaire Efficacy: 101.35 lm/W
 Light Distribution: A60 ↓99.9% ↑0.1%
 CIE Flux Codes: 72 92 98 100 100
 UGR 4H 8H (20%, 50%, 70%)C0 / C90: 23.0 / 26.0



CAT NO.	SIZE	LUMINAIRE LUMENS	WATTAGE	EFFICACY Llm/W
LHOL95S40	1200mm	9500	100W	95
LHOL115S40	1500mm	11500	120W	95

LUMINOUS INTENSITY

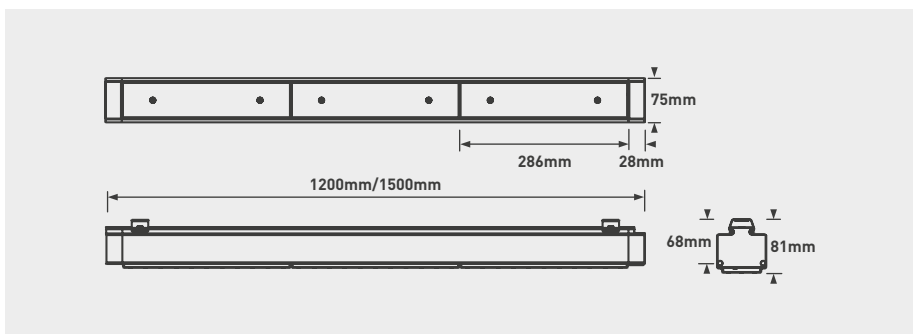
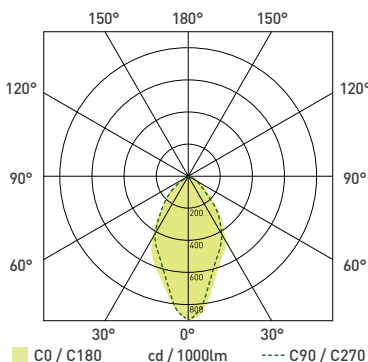


LHOL115S40

LUMINAIRE PERFORMANCE

Light Output Ratio: 100%
 Luminaire Efficacy: 104.15 lm/W
 Light Distribution: A60 ↓99.9% ↑0.1%
 CIE Flux Codes: 72 92 98 100 100
 UGR 4H 8H (20%, 50%, 70%)C0 / C90: 22.8 / 25.1

LUMINOUS INTENSITY



CLIMATE LED ARRAY

SINGLE

- Polycarbonate construction
- Stainless steel mounting clips
- Stainless steel anti-tamper diffuser clips
- Integral microwave or batten-fit PIR sensors



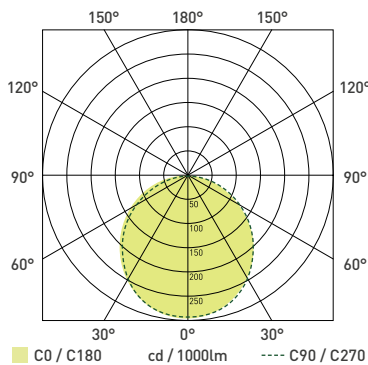
LCL12W22S40

LUMINAIRE PERFORMANCE

Light Output Ratio: 90.6%
 Luminaire Efficacy: 88.32m/W
 Light Distribution: A31 ↓93.8% ↑6.2%
 CIE Flux Codes: 41 71 89 94 91
 UGR 4H 8H (20%, 50%, 70%)C0 / C90:



LUMINOUS INTENSITY

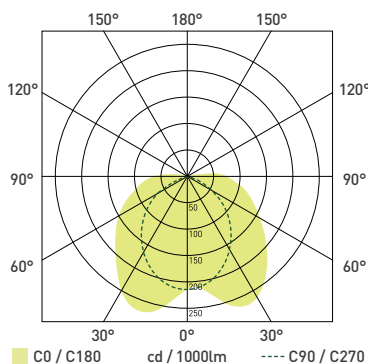


LCL15W34S40

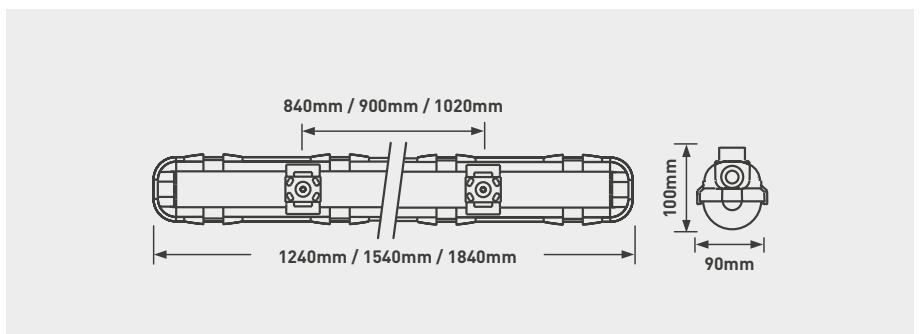
LUMINAIRE PERFORMANCE

Light Output Ratio: 90.6%
 Luminaire Efficacy: 90.92 lm/W
 Light Distribution: A31 ↓93.8% ↑6.2%
 CIE Flux Codes: 41 71 89 94 91
 UGR 4H 8H (20%, 50%, 70%)C0 / C90:

LUMINOUS INTENSITY



CAT NO.	DRIVER	SIZE	LUMINAIRE LUMENS	WATTAGE	EFFICACY Llm/W
LCL12W22S40	Standard	4ft / 1240mm	2200	25W	88
LCL12W22E40	Emergency	4ft / 1240mm	2200	25W	88
LCL12W22D40	Digital Dimmable	4ft / 1240mm	2200	25W	88
LCL12W22ED40	Emergency Digital Dimmable	4ft / 1240mm	2200	25W	88
LCL12W22S40MW	Microwave	4ft / 1240mm	2200	25W	88
LCL12W22D40MW	Digital Microwave Dimmable	4ft / 1240mm	2200	25W	88
LCL15W34S40	Standard	5ft / 1540mm	3400	37W	92
LCL15W34E40	Emergency	5ft / 1540mm	3400	37W	92
LCL15W34D40	Digital Dimmable	5ft / 1540mm	3400	37W	92
LCL15W34ED40	Emergency Digital Dimmable	5ft / 1540mm	3400	37W	92
LCL15W34S40MW	Microwave	5ft / 1540mm	3400	37W	92
LCL15W34D40MW	Digital Microwave Dimmable	5ft / 1540mm	3400	37W	92
LCL18W44S40	Standard	6ft / 1840mm	4400	49W	90
LCL18W44E40	Emergency	6ft / 1840mm	4400	49W	90
LCL18W44D40	Digital Dimmable	6ft / 1840mm	4400	49W	90
LCL18W44ED40	Emergency Digital Dimmable	6ft / 1840mm	4400	49W	90
LCL18W44S40MW	Microwave	6ft / 1840mm	4400	49W	90
LCL18W44D40MW	Digital Microwave Dimmable	6ft / 1840mm	4400	49W	90



CLIMATE LED ARRAY

TWIN

- Polycarbonate construction
- Stainless steel mounting clips
- Stainless steel anti-tamper diffuser clips
- Integral microwave or batten-fit PIR sensors

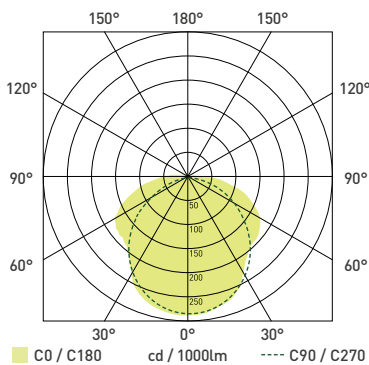


LCL12W44S40

LUMINAIRE PERFORMANCE

Light Output Ratio: 85.6%
 Luminaire Efficacy: 88.02 lm/W
 Light Distribution: A31 ↓94.9% ↑5.1%
 CIE Flux Codes: 43 71 90 95 86
 UGR 4H 8H (20%, 50%, 70%)C0 / C90: 24.6 / 20.4

LUMINOUS INTENSITY

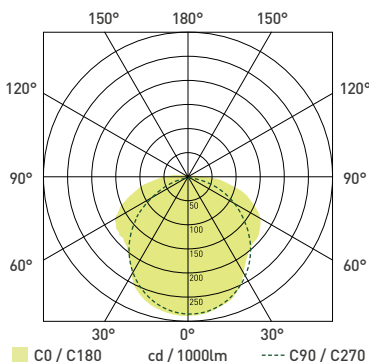


LCL15W66S40

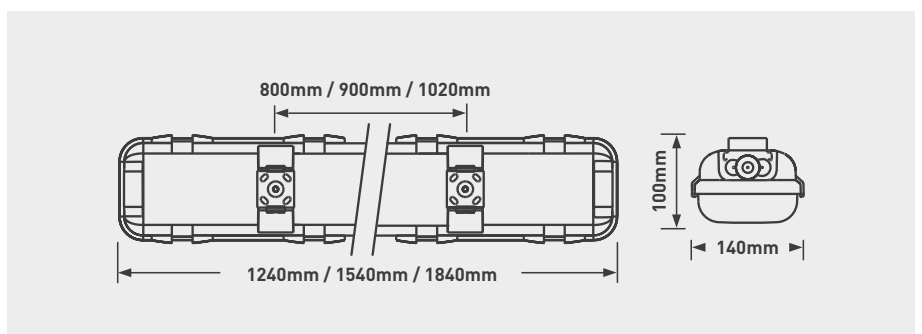
LUMINAIRE PERFORMANCE

Light Output Ratio: 85.6%
 Luminaire Efficacy: 92.26 lm/W
 Light Distribution: A31 ↓94.9% ↑5.1%
 CIE Flux Codes: 43 71 90 95 86
 UGR 4H 8H (20%, 50%, 70%)C0 / C90: 25.2 / 21.1

LUMINOUS INTENSITY



CAT NO.	DRIVER	SIZE	LUMINAIRE LUMENS	WATTAGE	EFFICACY Llm/W
LCL12W44S40	Standard	4ft / 1240mm	4400	47W	94
LCL12W44E40	Emergency	4ft / 1240mm	4400	47W	94
LCL12W44D40	Digital Dimmable	4ft / 1240mm	4400	47W	94
LCL12W44ED40	Emergency Digital Dimmable	4ft / 1240mm	4400	47W	94
LCL12W44S40MW	Microwave	4ft / 1240mm	4400	47W	94
LCL12W44D40MW	Digital Microwave Dimmable	4ft / 1240mm	4400	47W	94
LCL15W66S40	Standard	5ft / 1540mm	6600	69W	96
LCL15W66E40	Emergency	5ft / 1540mm	6600	69W	96
LCL15W66D40	Digital Dimmable	5ft / 1540mm	6600	69W	96
LCL15W66ED40	Emergency Digital Dimmable	5ft / 1540mm	6600	69W	96
LCL15W66S40MW	Microwave	5ft / 1540mm	6600	69W	96
LCL15W66D40MW	Digital Microwave Dimmable	5ft / 1540mm	6600	69W	96
LCL18W87S40	Standard	6ft / 1840mm	8700	97W	90
LCL18W87E40	Emergency	6ft / 1840mm	8700	97W	90
LCL18W87D40	Digital Dimmable	6ft / 1840mm	8700	97W	90
LCL18W87ED40	Emergency Digital Dimmable	6ft / 1840mm	8700	97W	90
LCL18W87S40MW	Microwave	6ft / 1840mm	8700	97W	90
LCL18W87D40MW	Digital Microwave Dimmable	6ft / 1840mm	8700	97W	90



CLIMATE EXTRA LED ARRAY

SINGLE



- Increased performance for greater savings
- Opal Diffuser for improved appearance and uniformity
- Polycarbonate construction
- Stainless steel mounting clips
- Stainless steel anti-tamper diffuser clips
- Integral Microwave sensor available in on/off or 10% corridor function
- Also available with batten fit PIR sensors

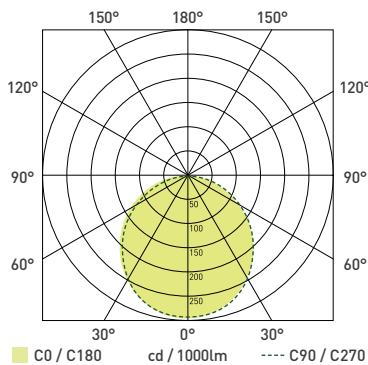
LCL12022S40

LUMINAIRE PERFORMANCE

Light Output Ratio: 90.6%
 Luminaire Efficacy: 138m/W
 Light Distribution: A31 ↓93.8% ↑6.2%
 CIE Flux Codes: 41 71 89 94 91
 UGR 4H 8H (20%, 50%, 70%)C0 / C90:



LUMINOUS INTENSITY

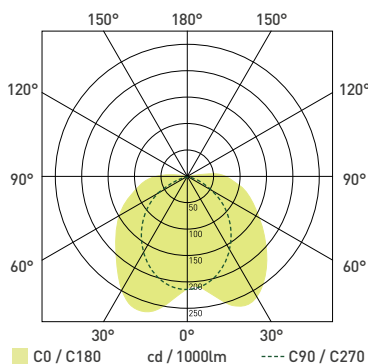


LCL15034S40

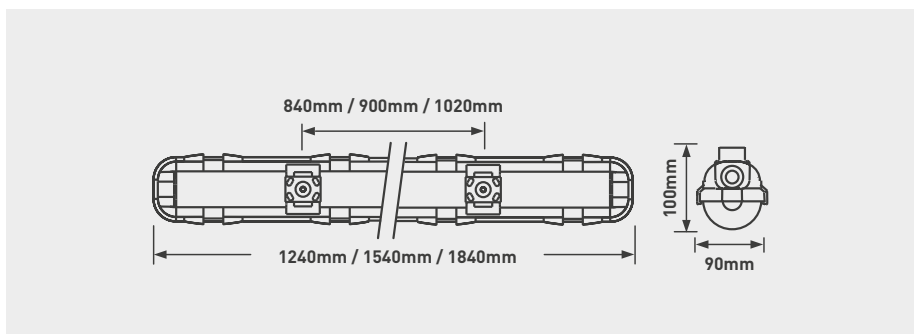
LUMINAIRE PERFORMANCE

Light Output Ratio: 90.6%
 Luminaire Efficacy: 142 lm/W
 Light Distribution: A31 ↓93.8% ↑6.2%
 CIE Flux Codes: 41 71 89 94 91
 UGR 4H 8H (20%, 50%, 70%)C0 / C90:

LUMINOUS INTENSITY



CAT NO.	DRIVER	SIZE	LUMINAIRE LUMENS	WATTAGE	EFFICACY Lm/W
LCL12022S40	Standard	4ft / 1240mm	2200	16W	138
LCL12022E40	Emergency	4ft / 1240mm	2200	16W	138
LCL12022D40	Digital Dimmable	4ft / 1240mm	2200	16W	138
LCL12022ED40	Emergency Digital Dimmable	4ft / 1240mm	2200	16W	138
LCL12022S40MW	Microwave	4ft / 1240mm	2200	16W	138
LCL12022E40MW	Emergency Microwave	4ft / 1240mm	2200	16W	138
LCL12022D40MW	Microwave 10% Corridor Function	4ft / 1240mm	2200	16W	138
LCL12022ED40MW	Emergency MW 10% Corridor Function	4ft / 1240mm	2200	16W	138
LCL15034S40	Standard	5ft / 1540mm	3400	24W	142
LCL15034E40	Emergency	5ft / 1540mm	3400	24W	142
LCL15034D40	Digital Dimmable	5ft / 1540mm	3400	24W	142
LCL15034ED40	Emergency Digital Dimmable	5ft / 1540mm	3400	24W	142
LCL15034S40MW	Microwave	5ft / 1540mm	3400	24W	142
LCL15034E40MW	Emergency Microwave	5ft / 1540mm	3400	24W	142
LCL15034D40MW	Microwave 10% Corridor Function	5ft / 1540mm	3400	24W	142
LCL15034ED40MW	Emergency MW 10% Corridor Function	5ft / 1540mm	3400	24W	142
LCL18044S40	Standard	6ft / 1840mm	4400	33W	133
LCL18044E40	Emergency	6ft / 1840mm	4400	33W	133
LCL18044D40	Digital Dimmable	6ft / 1840mm	4400	33W	133
LCL18044ED40	Emergency Digital Dimmable	6ft / 1840mm	4400	33W	133
LCL18044S40MW	Microwave	6ft / 1840mm	4400	33W	133
LCL18044E40MW	Digital Microwave Dimmable	6ft / 1840mm	4400	33W	133
LCL18044D40MW	Microwave 10% Corridor Function	6ft / 1840mm	4400	33W	133
LCL18044ED40MW	Emergency MW 10% Corridor Function	6ft / 1840mm	4400	33W	133



CLIMATE EXTRA LED ARRAY

TWIN

- Increased performance for greater savings
- Opal Diffuser for improved appearance and uniformity
- Polycarbonate construction
- Stainless steel mounting clips
- Stainless steel anti-tamper diffuser clips
- Integral Microwave sensor available in on/off or 10% corridor function
- Also available with batten fit PIR sensors

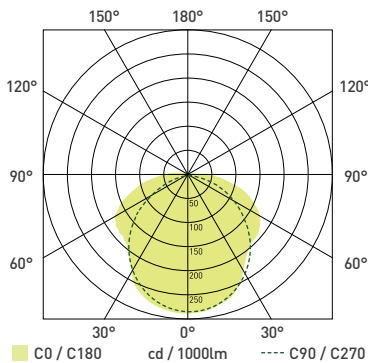


LCL12044S40

LUMINAIRE PERFORMANCE

Light Output Ratio: 85.6%
 Luminaire Efficacy: 142 lm/W
 Light Distribution: A31 ↓94.9% ↑5.1%
 CIE Flux Codes: 43 71 90 95 86
 UGR 4H 8H (20%, 50%, 70%)C0 / C90: 24.6 / 20.4

LUMINOUS INTENSITY



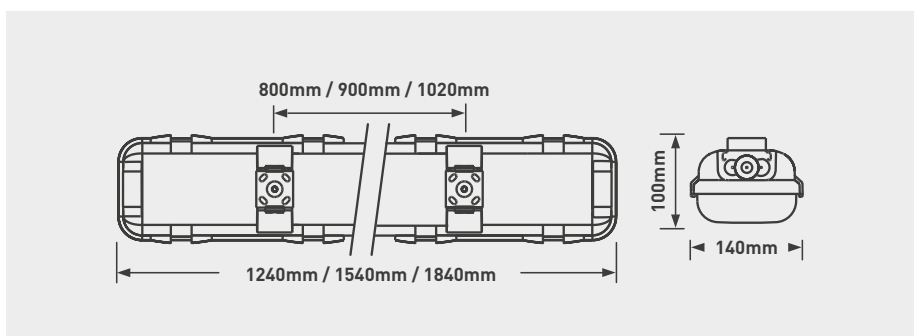
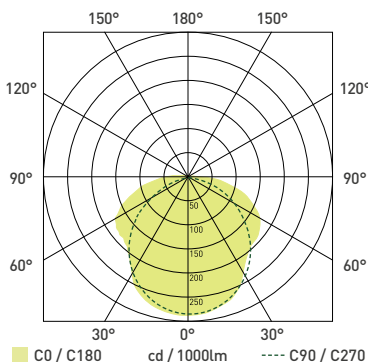
CAT NO.	DRIVER	SIZE	LUMINAIRE LUMENS	WATTAGE	EFFICACY Llm/W
LCL12044S40	Standard	4ft / 1240mm	4400	31W	142
LCL12044E40	Emergency	4ft / 1240mm	4400	31W	142
LCL12044D40	Digital Dimmable	4ft / 1240mm	4400	31W	142
LCL12044ED40	Emergency Digital Dimmable	4ft / 1240mm	4400	31W	142
LCL12044S40MW	Microwave	4ft / 1240mm	4400	31W	142
LCL12044E40MW	Emergency Microwave	4ft / 1240mm	4400	31W	142
LCL12044D40MW	Microwave 10% Corridor Function	4ft / 1240mm	4400	31W	142
LCL12044ED40MW	Emergency MW 10% Corridor Function	4ft / 1240mm	4400	31W	142
LCL15066S40	Standard	5ft / 1540mm	6600	48W	138
LCL15066E40	Emergency	5ft / 1540mm	6600	48W	138
LCL15066D40	Digital Dimmable	5ft / 1540mm	6600	48W	138
LCL15066ED40	Emergency Digital Dimmable	5ft / 1540mm	6600	48W	138
LCL15066S40MW	Microwave	5ft / 1540mm	6600	48W	138
LCL15066E40MW	Emergency Microwave	5ft / 1540mm	6600	48W	138
LCL15066D40MW	Microwave 10% Corridor Function	5ft / 1540mm	6600	48W	138
LCL15066ED40MW	Emergency MW 10% Corridor Function	5ft / 1540mm	6600	48W	138
LCL18087S40	Standard	6ft / 1840mm	8700	66W	132
LCL18087E40	Emergency	6ft / 1840mm	8700	66W	132
LCL18087D40	Digital Dimmable	6ft / 1840mm	8700	66W	132
LCL18087ED40	Emergency Digital Dimmable	6ft / 1840mm	8700	66W	132
LCL18087S40MW	Microwave	6ft / 1840mm	8700	66W	132
LCL18087E40MW	Digital Microwave Dimmable	6ft / 1840mm	8700	66W	132
LCL18087D40MW	Microwave 10% Corridor Function	6ft / 1840mm	8700	66W	132
LCL18087ED40MW	Emergency MW 10% Corridor Function	6ft / 1840mm	8700	66W	132

LCL15066S40

LUMINAIRE PERFORMANCE

Light Output Ratio: 85.6%
 Luminaire Efficacy: 138 lm/W
 Light Distribution: A31 ↓94.9% ↑5.1%
 CIE Flux Codes: 43 71 90 95 86
 UGR 4H 8H (20%, 50%, 70%)C0 / C90: 25.2 / 21.1

LUMINOUS INTENSITY



CLIMATE

T8

SINGLE LED TUBES



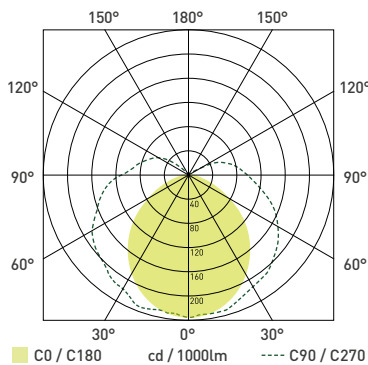
- Supplied with 4000k LED T8
- Stainless steel mounting clips
- Stainless steel anti-tamper diffuser clips
- Batten fit sensors

LCLT15W28S40

LUMINAIRE PERFORMANCE

Light Output Ratio: 100%
 Luminaire Efficacy: 87.88 lm/W
 Light Distribution: B31 ↓86.7% ↑13.3%
 CIE Flux Codes: 37 66 86 87 100
 UGR 4H 8H (20%, 50%, 70%)C0 / C90:

LUMINOUS INTENSITY



CAT NO.	DRIVER	SIZE	LUMINAIRE LUMENS	WATTAGE	EFFICACY Llm/W
LCLT12W21S40	Standard	4ft / 1240mm	2160	24W	90
LCLT12W21E40	Emergency	4ft / 1240mm	2160	24W	90
LCLT15W28S40	Standard	5ft / 1540mm	2880	32W	90
LCLT15W28E40	Emergency	5ft / 1540mm	2880	32W	90
LCLT18W35S40	Standard	6ft / 1840mm	3580	40W	90
LCLT18W35E40	Emergency	6ft / 1840mm	3580	40W	90

COMPATIBLE ACCESSORIES

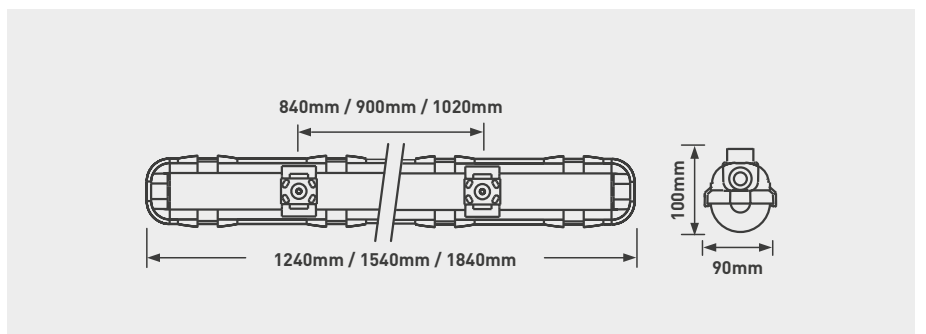
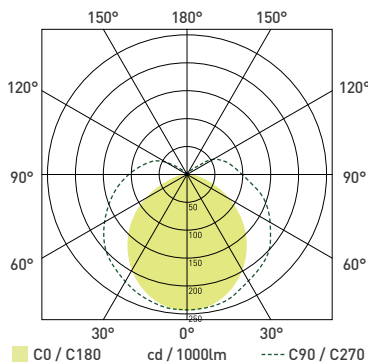
For batten mount PIR presence detectors see page 151 (LPC3BSP65/ LPC3BDP65)

LCLT18W35S40

LUMINAIRE PERFORMANCE

Light Output Ratio: 100%
 Luminaire Efficacy: 87.47 lm/W
 Light Distribution: B31 ↓86.2% ↑13.8%
 CIE Flux Codes: 39 67 87 86 100
 UGR 4H 8H (20%, 50%, 70%)C0 / C90:

LUMINOUS INTENSITY



CLIMATE

T8

TWIN LED TUBES

- Supplied with 4000k LED T8
- Stainless steel mounting clips
- Stainless steel anti-tamper diffuser clips
- Batten fit sensors

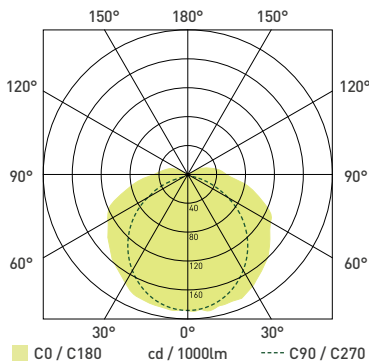


LCLT12W43S40

LUMINAIRE PERFORMANCE

Light Output Ratio: 100%
 Luminaire Efficacy: 90 lm/W
 Light Distribution: B31 ↓89.9% ↑10.1%
 CIE Flux Codes: 40 69 89 90 73
 UGR 4H 8H (20%, 50%, 70%)C0 / C90: 24.0 / 18.5

LUMINOUS INTENSITY



CAT NO.	DRIVER	SIZE	LUMINAIRE LUMENS	WATTAGE	EFFICACY Llm/W
LCLT12W43S40	Standard	4ft / 1240mm	4320	48W	90
LCLT12W43E40	Emergency	4ft / 1240mm	4320	48W	90
LCLT15W57S40	Standard	5ft / 1540mm	5760	64W	90
LCLT15W57E40	Emergency	5ft / 1540mm	5760	64W	90
LCLT18W71S40	Standard	6ft / 1840mm	7160	80W	90
LCLT18W71E40	Emergency	6ft / 1840mm	7160	80W	90

COMPATIBLE ACCESSORIES

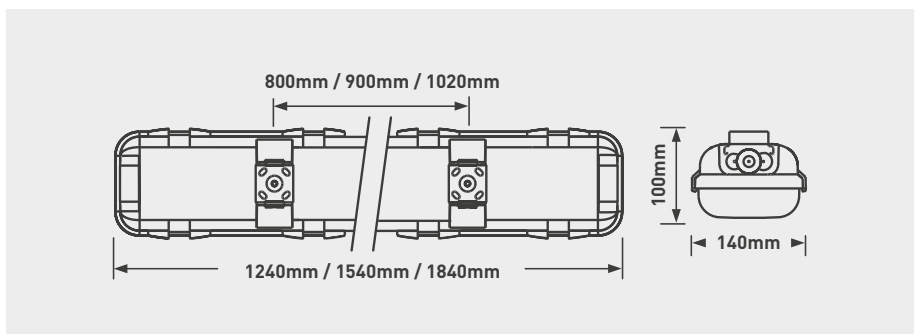
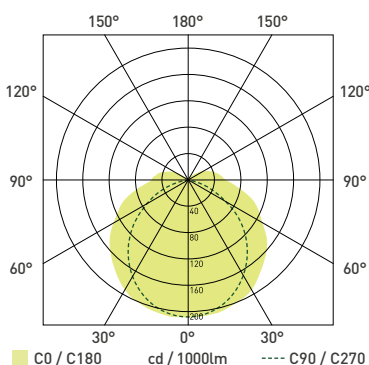
For batten mount PIR presence detectors see page 151 (LPC3BSP65/ LPC3BDP65)

LCLT18W71S40

LUMINAIRE PERFORMANCE

Light Output Ratio: 100%
 Luminaire Efficacy: 89.5 lm/W
 Light Distribution: B31 ↓88.9% ↑11.1%
 CIE Flux Codes: 42 71 90 89 78
 UGR 4H 8H (20%, 50%, 70%)C0 / C90: 24.0 / 19.3

LUMINOUS INTENSITY



LUXPACK BATTEN

WIDE OPAL LENS

- Surface mounted with Luceco driver
- Available in standard or high output for 4ft, 5ft and 6ft lengths
- Suitable for use with batten mount sensors



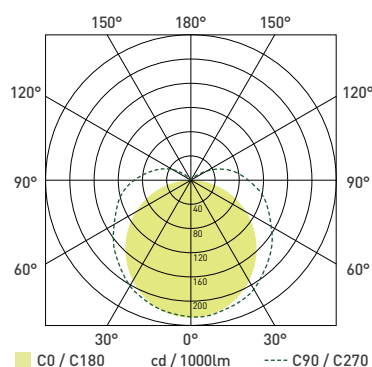
LXB12W25L40

LUMINAIRE PERFORMANCE

Light Output Ratio: 100%
 Luminaire Efficacy: 103.88 lm/W
 Light Distribution: A31 ↓85.9% ↑14.1%
 CIE Flux Codes: 38 66 96 86 100
 UGR 4H 8H (20%, 50%, 70%)C0 / C90:



LUMINOUS INTENSITY

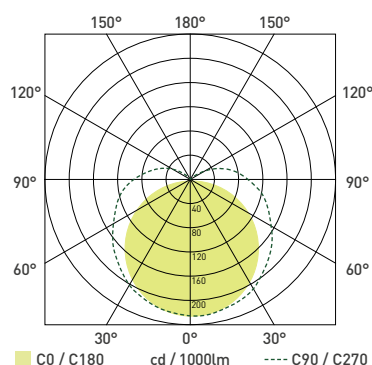


LXB18W48L40

LUMINAIRE PERFORMANCE

Light Output Ratio: 100%
 Luminaire Efficacy: 100.62 lm/W
 Light Distribution: A31 ↓85.8% ↑14.2%
 CIE Flux Codes: 37 66 86 86 100
 UGR 4H 8H (20%, 50%, 70%)C0 / C90:

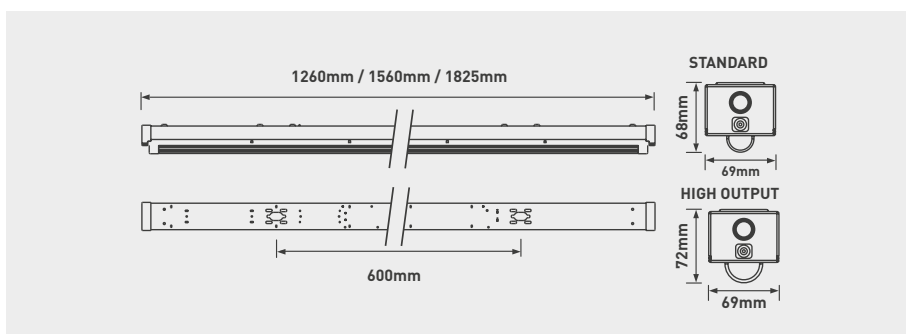
LUMINOUS INTENSITY



CAT NO.	DRIVER	SIZE	LUMINAIRE LUMENS	WATTAGE	EFFICACY Llm/W
LXB12W25L40	Standard	4ft / 1200mm	2500	24W	104
LXB12W25EL40	Emergency	4ft / 1200mm	2500	24W	104
LXB12W48L40	High output	4ft / 1200mm	4800	46W	104
LXB12W48EL40	Emergency	4ft / 1200mm	4800	46W	104
LXB15W38L40	Standard	5ft / 1500mm	3800	35W	109
LXB15W38EL40	Emergency	5ft / 1500mm	3800	35W	109
LXB15W72L40	High output	5ft / 1500mm	7200	71W	101
LXB15W72EL40	Emergency	5ft / 1500mm	7200	71W	101
LXB18W48L40	Standard	6ft / 1800mm	4800	46W	104
LXB18W48EL40	Emergency	6ft / 1800mm	4800	46W	104
LXB18W92L40	High output	6ft / 1800mm	9200	94W	98
LXB18W92EL40	Emergency	6ft / 1800mm	9200	94W	98

COMPATIBLE ACCESSORIES

- For batten mount PIR presence detectors see page 151 (LPC3BSP65/ LPC3BDP65)



LUXPACK BATTEN

NARROW CLEAR LENS

- Surface mounted with Luceco driver
- Available in standard or high output for 4ft, 5ft and 6ft lengths
- Suitable for use with batten mount sensors

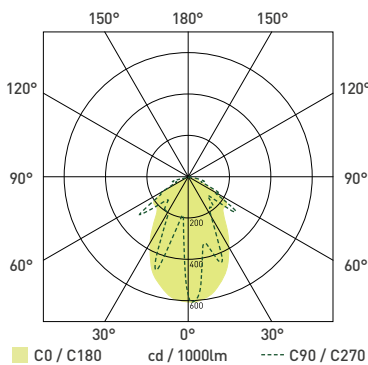


LXB12R28L40

LUMINAIRE PERFORMANCE

Light Output Ratio: 100%
 Luminaire Efficacy: 125 lm/W
 Light Distribution: A41 ↓97.3% ↑2.7%
 CIE Flux Codes: 51 81 96 97 100
 UGR 4H 8H (20%, 50%, 70%)C0 / C90: 22.4 / 24.2

LUMINOUS INTENSITY

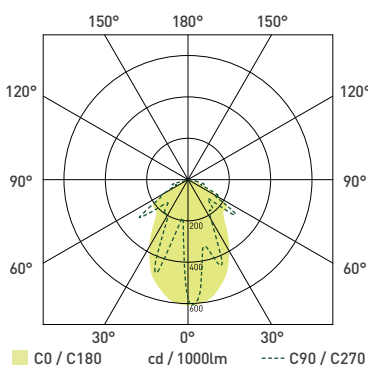


LXB18R53L40

LUMINAIRE PERFORMANCE

Light Output Ratio: 100%
 Luminaire Efficacy: 117.39 lm/W
 Light Distribution: A41 ↓97.3% ↑2.7%
 CIE Flux Codes: 51 81 96 97 100
 UGR 4H 8H (20%, 50%, 70%)C0 / C90: 23.7 / 25.5

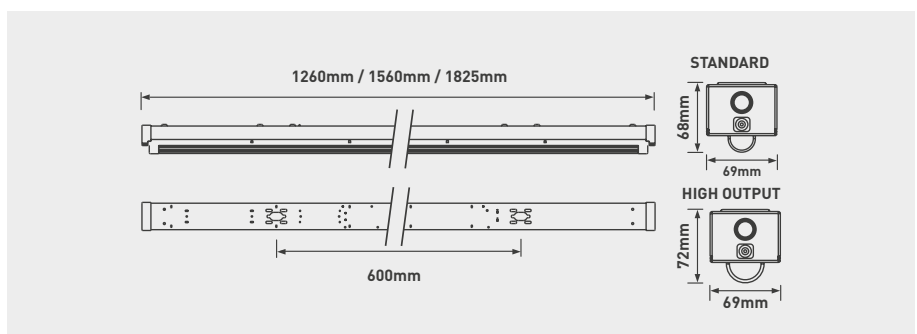
LUMINOUS INTENSITY



CAT NO.	DRIVER	SIZE	LUMINAIRE LUMENS	WATTAGE	EFFICACY Llm/W
LXB12R28L40	Standard	4ft / 1200mm	2800	24W	117
LXB12R28EL40	Emergency	4ft / 1200mm	2800	24W	117
LXB12R53L40	High output	4ft / 1200mm	5300	46W	115
LXB12R53EL40	Emergency	4ft / 1200mm	5300	46W	115
LXB15R42L40	Standard	5ft / 1500mm	4200	35W	120
LXB15R42EL40	Emergency	5ft / 1500mm	4200	35W	120
LXB15R79L40	High output	5ft / 1500mm	7900	71W	111
LXB15R79EL40	Emergency	5ft / 1500mm	7900	71W	111
LXB18R53L40	Standard	6ft / 1800mm	5300	46W	115
LXB18R53EL40	Emergency	6ft / 1800mm	5300	46W	115
LXB18R98L40	High output	6ft / 1800mm	9800	94W	104
LXB18R98EL40	Emergency	6ft / 1800mm	9800	94W	104

COMPATIBLE ACCESSORIES

- For batten mount PIR presence detectors see page 151 (LPC3BSP65/ LPC3BDP65)



INDUSTRIAL SPECIFICATION

	LUXBAY						CERES				CERES EXTRA						TITAN		INDUS		CLIMATE SINGLE							
	LLB*11S40	LLB*11E40	LLB*16S40	LLB*16E40	LLB*21S40	LLB*21E40	LHBC11S**	LHBC11E**	LHBC22S**	LHBC22E**	LHBCX11D**	LHBCX11ED**	LHBCX16D**	LHBCX16ED**	LHBCX22D**	LHBCX22ED**	LHBCX27D**	LHBCX27ED**	LHB120W	LHB200W	LHOL95S40	LHOL115S40	LCL12W22S40	LCL12W22E40	LCL12W22S40MMW	LCL15W34S40	LCL15W34E40	
PAGE NUMBER	83	83	83	83	83	83	84	84	84	84	85	85	85	85	85	85	85	85	86	76	89	89	90	90	90	90	90	
LENGTH / DIA (mm)	1190	1190	1190	1190	1190	1190	380	380	380	380	380	380	380	380	380	380	380	380	510	510	1200	1500	1240	1240	1240	1540	1540	
WIDTH (mm)	365	365	365	365	365	365	356	356	540	540	356	356	356	540	540	540	540	-	-	75	75	90	90	90	90	90		
HEIGHT/ DEPTH (mm)	120	120	120	120	120	120	260	260	260	260	260	260	260	260	260	260	260	359	397	81	81	100	100	100	100	100		
WEIGHT (kg)	6.2	7.1	6.7	7.6	7.5	8.4	6.8	7.7	9.5	10.4	6.8	6.8	6.8	6.8	9.5	10.4	9.5	10.4	7.4	8.2	4.2	4.7	2.4	3.3	2.6	2.8	3.7	
L FIXING CENTRES (mm)	1000	1000	1000	1000	1000	1000	100	100	100	100	100	100	100	100	100	100	100	CENTRE	CENTRE	N/A	N/A	840	840	840	900	900		
W FIXING CENTRES (mm)	280	280	280	280	280	280	N/A	N/A	N/A	N/A	N/A	N/A	N/A	N/A	N/A	N/A	N/A	N/A	N/A	N/A	N/A	N/A	N/A	N/A	N/A	N/A		
CEILING CUT OUT (mm)	N/A																											
LUMINAIRE LUMENS (Lm)	10500	10500	15800	15800	21000	21000	11000	11000	22000	22000	11000	11000	16000	16000	22000	22000	27000	27000	11190	19350	9500	11500	2200	2200	2200	3400	3400	
LUMINAIRE WATTAGE (W)	100	100	150	150	200	200	100	100	200	200	80	80	115	115	157	157	193	193	120	200	100	120	25	25	25	37	37	
EFFICACY Lm/W	105	105	105	105	105	105	110	110	110	110	138	138	139	139	140	140	140	140	93	96	95	95	88	88	88	92	92	
CCT (K)	4000																											
CRI	>80																											
UGR	≤23	≤23	≤24	≤24	≤25	≤25	≤23	≤23	≤27	≤27	≤23	≤23	≤24	≤24	≤27	≤27	≤28	≤28	≤22	≤26	≤25	≤26	≤23	≤23	≤23	≤23	≤23	
IP RATED	IP20						IP65																					
IK RATED	IK04	IK04	IK04	IK04	IK04	IK04	IK08	IK08	IK08	IK08	IK08	IK08	IK08	IK08	IK08	IK08	IK08	IK08	IK06	IK06	IK04	IK04	IK08	IK08	IK08	IK08	IK08	
GLOW WIRE (°C)	N/A	N/A	N/A	N/A	N/A	N/A	N/A	N/A	N/A	N/A	N/A	N/A	N/A	N/A	N/A	N/A	N/A	N/A	N/A	N/A	N/A	N/A	650	650	650	650	650	
RAL COLOUR	9016	9016	9016	9016	9016	9016	9005	9005	9005	9005	9005	9005	9005	9005	9005	9005	9005	9005	9005	9005	9005	9005	9005	GREY	GREY	GREY	GREY	GREY
TEMP. RANGE (°C)	-20 +40	0 +40	-20 +40	0 +40	-20 +40	0 +40	-20 +40	0 +40	-20 +40	0 +40	-20 +40	0 +40	-20 +40	0 +25 +40	-20 +40	0 +40	-20 +40	0 +25 +40	-20 +40	-20 +40	-20 +40	-20 +40	-20 +40	-20 +30	0 +30	-20 +30	-20 +30	0 +30
RATED LIFE (HR)	50,000										70,000						50,000											
AMBIENT TEMP. RATED LIFE (°C)	40										40						25											
L AT RATED LIFE	70																											
B AT RATED LIFE	10																											
VOLTAGE RANGE	220-240V																											
FREQUENCY	50hz																											
EMERGENCY PACK CODE	N/A																											
WARRANTY (3 /5 YEARS)	5 YEAR WARRANTY																											

INDUSTRIAL

All data/figures shown are for information and should be validated prior to any critical actions. Luceco reserve the right to change specifications without notice. Different specification parameters, such as CCT, B and L values are available, subject to quantity criteria for selected luminaires.

	CLIMATE SINGLE				CLIMATE TWIN								CLIMATE EXTRA												
	LCL15W34S40MW	LCL18W44S40	LCL18W44E40	LCL18W44S40MW	LCL12W44S40	LCL12W44E40	LCL12W44S40MW	LCL15W66S40	LCL15W66E40	LCL15W66S40MW	LCL18W87S40	LCL18W87E40	LCL18W87S40MW	LCL12044S40	LCL12044E40	LCL12044D40	LCL12044ED40	LCL12044S40MW	LCL12044E40MW	LCL12044D40MW	LCL12044ED40MW	LCL15066S40	LCL15066E40	LCL15066D40	LCL15066ED40
PAGE NUMBER	90	90	90	90	91	91	91	91	91	91	91	91	91	92	92	92	92	92	92	92	92	92	92	92	92
LENGTH / DIA (mm)	1540	1840	1840	1840	1240	1240	1240	1540	1540	1540	1840	1840	1840	1240	1240	1240	1240	1240	1240	1240	1240	1540	1540	1540	1540
WIDTH (mm)	90	90	90	90	140	140	140	140	140	140	140	140	140	140	140	140	140	140	140	140	140	140	140	140	140
HEIGHT/ DEPTH (mm)	100																								
WEIGHT (kg)	3	3.5	4.3	3.7	3.3	4.2	3.5	3.7	3.7	3.9	4.4	5.2	4.6	3.3	4	3	4.2	3.5	4.7	3.5	4.7	3.7	4.9	3.7	4.9
L FIXING CENTRES (mm)	900	1020	1020	1020	840	840	840	900	900	900	1020	1020	1020	840	840	840	840	840	840	840	840	900	900	900	900
W FIXING CENTRES (mm)	N/A																								
CEILING CUT OUT (mm)	N/A																								
LUMINAIRE LUMENS (Llm)	3400	4400	4400	4400	4400	4400	4400	6600	6600	6600	8700	8700	8700	4400	4400	4400	4400	4400	4400	4400	4400	6600	6600	6600	6600
LUMINAIRE WATTAGE (W)	37	49	49	49	47	47	47	69	69	69	97	97	97	31	31	31	31	31	31	31	31	48	48	48	48
EFFICACY Llm/W	92	90	90	90	94	94	94	96	96	96	90	90	90	142	142	142	142	142	142	142	142	138	138	138	138
CCT (K)	4000																								
CRI	>80																								
UGR	≤23	≤23	≤23	≤23	≤24	≤24	≤24	≤25	≤25	≤25	≤25	≤25	≤25	≤24	≤24	≤24	≤24	≤24	≤24	≤24	≤24	≤25	≤25	≤25	≤25
IP RATED	IP65																								
IK RATED	IK08																								
GLOW WIRE (°C)	650																								
RAL COLOUR	GREY/OPAL																								
TEMP. RANGE (°C)	-20 +30	-20 +30	0 +30	-20 +30	-20 +30	0 +30	-20 +30	-20 +30	0 +30	-20 +30	-20 +30	0 +30	-20 +30	-20 +30	0 +30	-20 +30	0 +30	-20 +30	0 +30	-20 +30	0 +30	-20 +30	0 +30	-20 +30	
RATED LIFE (HR)	50,000												50,000												
AMBIENT TEMP. RATED LIFE (°C)	25																								
L AT RATED LIFE	70																								
B AT RATED LIFE	10	10	10	10	10	10	10	10	10	10	10	10	10	50	50	50	50	50	50	50	50	50	50	50	50
VOLTAGE RANGE	220-240V																								
FREQUENCY	50hz																								
EMERGENCY PACK CODE	N/A																								
WARRANTY (3 /5 YEARS)	5 YEAR WARRANTY												3 YEAR WARRANTY												

INDUSTRIAL SPECIFICATION

	CLIMATE EXTRA												CLIMATE T8 SINGLE					CLIMATE T8 TWIN							
	LCL15066S40MW	LCL15066E40MW	LCL15066D40MW	LCL15066ED40MW	LCL18087S40	LCL18087E40	LCL18087D40	LCL18087ED40	LCL18087S40MW	LCL18087E40MW	LCL18087D40MW	LCL18087ED40MW	LCLT12W21S40	LCLT12W21E40	LCLT15W28S40	LCLT15W28E40	LCLT18W35S40	LCLT18W35E40	LCLT12W43S40	LCLT12W43E40	LCLT15W57S40	LCLT15W57E40	LCLT18W71S40	LCLT18W71E40	
PAGE NUMBER	92	92	92	92	92	92	92	92	92	92	92	92	94	94	94	94	94	94	95	95	95	95	95	95	
LENGTH / DIA (mm)	1540	1540	1540	1540	1840	1840	1840	1840	1840	1840	1840	1840	1240	1240	1540	1540	1840	1840	1240	1240	1540	1540	1840	1840	
WIDTH (mm)	140												90	90	90	90	90	90	90	90	90	90	90	90	90
HEIGHT / DEPTH (mm)	100																								
WEIGHT (kg)	4.2	5.4	4.2	5.4	4.4	5.2	4.4	5.2	4.6	5.4	5.6	5.6	1.5	2.4	2.2	3.1	2.9	3.8	2.5	3.4	3.2	4.1	3.9	4.8	
L FIXING CENTRES (mm)	900	900	900	900	1020	1020	1020	1020	1020	1020	1020	1020	840	840	900	900	1020	1020	840	840	900	900	1020	1020	
W FIXING CENTRES (mm)	N/A																								
CEILING CUT OUT (mm)	N/A																								
LUMINAIRE LUMENS (Lm)	6600	6600	6600	6600	8700	8700	8700	8700	8700	8700	8700	8700	2160	2160	2880	2880	3580	3580	4320	4320	5760	5760	7160	7160	
LUMINAIRE WATTAGE (W)	48	48	48	48	66	66	66	66	66	66	66	66	24	24	32	32	40	40	48	48	64	64	80	80	
EFFICACY Lm/W	138	138	138	138	132	132	132	132	132	132	132	132	90	90	90	90	90	90	90	90	90	90	90	90	
CCT (K)	4000																								
CRI	>80																								
UGR	≤25	≤25	≤25	≤25	≤26	≤26	≤26	≤26	≤26	≤26	≤26	≤26	≤26	≤26	≤26	≤26	≤26	≤26	≤24	≤24	≤24	≤24	≤24	≤24	
IP RATED	IP65																								
IK RATED	N/A												IK08												
GLOW WIRE (°C)	650																								
RAL COLOUR	GREY/OPAL												GREY												
TEMP. RANGE (°C)	-20 +30	0 +30	-20 +30	0 +30	-20 +30	0 +30	-20 +30	0 +30	-20 +30	0 +30	-20 +30	0 +30	-20 +25	0 +25	-20 +25	0 +25	-20 +25	0 +25	-20 +25	0 +25	-20 +25	0 +25	-20 +25	0 +25	
RATED LIFE (HR)	30,000																								
AMBIENT TEMP. RATED LIFE (°C)	25																								
L AT RATED LIFE	70																								
B AT RATED LIFE	50												10						50		10				
VOLTAGE RANGE	220-240V																								
FREQUENCY	50hz																								
EMERGENCY PACK CODE	N/A																								
WARRANTY (3/5 YEARS)	3 YEAR WARRANTY																								

INDUSTRIAL

	LUXPACK BATTEN WIDE												LUXPACK BATTEN NARROW											
	LXB12W25L40	LXB12W25EL40	LXB12W48L40	LXB12W48EL40	LXB15W38L40	LXB15W38EL40	LXB15W72L40	LXB15W72EL40	LXB18W48L40	LXB18W48EL40	LXB18W92L40	LXB18W92EL40	LXB12R28L40	LXB12R28EL40	LXB12R53L40	LXB12R53EL40	LXB15R42L40	LXB15R42EL40	LXB15R79L40	LXB15R79EL40	LXB18R53L40	LXB18R53EL40	LXB18R98L40	LXB18R98EL40
PAGE NUMBER	96	96	96	96	96	96	96	96	96	96	96	96	97	97	97	97	97	97	97	97	97	97	97	97
LENGTH / DIA (mm)	1260	1260	1260	1260	1560	1560	1560	1560	1825	1825	1825	1825	1260	1260	1260	1260	1560	1560	1560	1560	1825	1825	1825	1825
WIDTH (mm)	69																							
HEIGHT/ DEPTH (mm)	68																							
WEIGHT (kg)	2.1	3	2.3	3.2	2.5	3.4	2.9	3.8	3	3.9	3.5	4.4	2.1	3	2.3	3.2	2.5	3.4	2.9	3.8	3	3.9	3.5	4.4
L FIXING CENTRES (mm)	600																							
W FIXING CENTRES (mm)	N/A																							
CEILING CUT OUT (mm)	N/A																							
LUMINAIRE LUMENS (Lm)	2500	2500	4800	4800	3800	3800	7200	7200	4800	4800	9200	9200	2800	2800	5300	5300	4200	4200	7900	7900	5300	5300	9800	9800
LUMINAIRE WATTAGE (W)	24	24	46	46	35	35	71	71	46	46	94	94	24	24	46	46	35	35	71	71	46	46	94	94
EFFICACY Lm/W	104	104	104	104	109	109	101	101	104	104	98	98	117	117	115	115	120	120	111	111	115	115	104	104
CCT (K)	4000																							
CRI	>80																							
UGR	≤27	≤27	≤27	≤27	≤27	≤27	≤27	≤27	≤27	≤27	≤27	≤27	≤27	≤27	≤24	≤24	≤24	≤24	≤25	≤25	≤25	≤25	≤25	≤25
IP RATED	IP20																							
IK RATED	N/A																							
GLOW WIRE (°C)	650																							
RAL COLOUR	9016																							
TEMP. RANGE (°C)	-20 +40	0 +40	-20 +40	0 +40	-20 +40	0 +40	-20 +40	0 +40	-20 +40	0 +40	-20 +40	0 +40	-20 +40	0 +40	-20 +40	0 +40	-20 +40	0 +40	-20 +40	0 +40	-20 +40	0 +40	-20 +40	0 +40
RATED LIFE (HR)	30,000																							
AMBIENT TEMP. RATED LIFE (°C)	25																							
L AT RATED LIFE	70																							
B AT RATED LIFE	10																		50		10			
VOLTAGE RANGE	220-240V																							
FREQUENCY	50hz																							
EMERGENCY PACK CODE	N/A																							
WARRANTY (3 /5 YEARS)	3 YEAR WARRANTY																							



EMERGENCY



103
Exit Boxes



104
Decorative
exit



105
IP65
Bulkhead



106
Downlight



107
IP65
Twin-spot



108
Exit Boxes



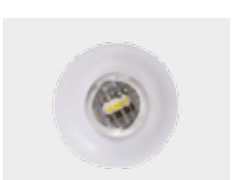
109
Hanging
Blade



110
Recessed
Blade



111
IP65
Bulkhead



112
Downlights



115
Emergency
Pack

EXIT BOX

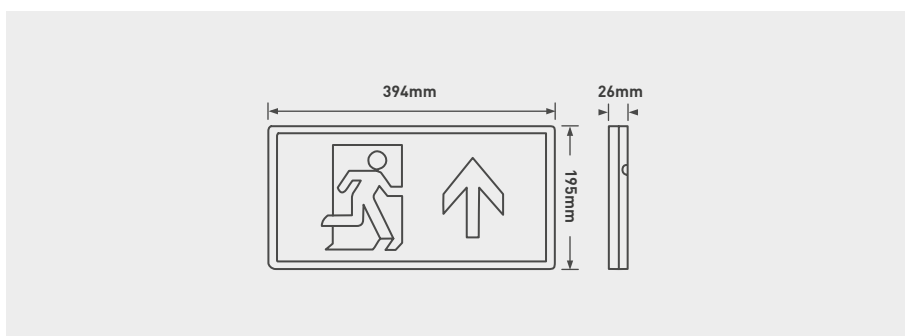
3HR

MAINTAINED

- Materials: Polycarbonate body and opal panel with legend
- 3.6V 2Ah Ni-MH batteries
- Complete with white LED
- High brightness
- DC or AC/DC operated
- Viewing distance = 32m
- Can be also used as non-maintained
- Easy installation with replaceable exit panel
- Latest ISO 7010 format legend
- Fixed output integrated driver



CAT NO.	DESCRIPTION	LUMINAIRE LUMENS	WATTAGE
LEMEXM3	Standard with arrow DOWN legend	45	1.3W
LEMEXUA	Arrow UP legend (order with LEMEXM3)	-	-
LEMEXLA	Arrow LEFT legend (order with LEMEXM3)	-	-
LEMEXRA	Arrow RIGHT legend (order with LEMEXM3)	-	-

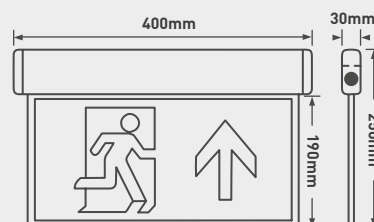


DECORATIVE EXIT 3HR MAINTAINED

- Materials: Aluminium alloy body, double sided edge lit acrylic blade with legends
- 3.6V 600mh Ni-Cd batteries
- Complete with white LED
- AC/DC operated
- Latest ISO 7010 format legend
- Viewing distance = 32m
- Fixed output integrated driver
- Double sided legend
- Supplied with chain
- Cable length - 280mm max



CAT NO.	DESCRIPTION	LUMINAIRE LUMENS	WATTAGE
LEMDEM3	Decorative exit with arrow DOWN legend	50	3W
LEMDEM3UA	Decorative exit with arrow UP legend	50	3W
LEMDEM3LA	Decorative exit with arrow LEFT legend	50	3W
LEMDEM3RA	Decorative exit with arrow RIGHT legend	50	3W



IP65 BULKHEAD

3HR

MAINTAINED

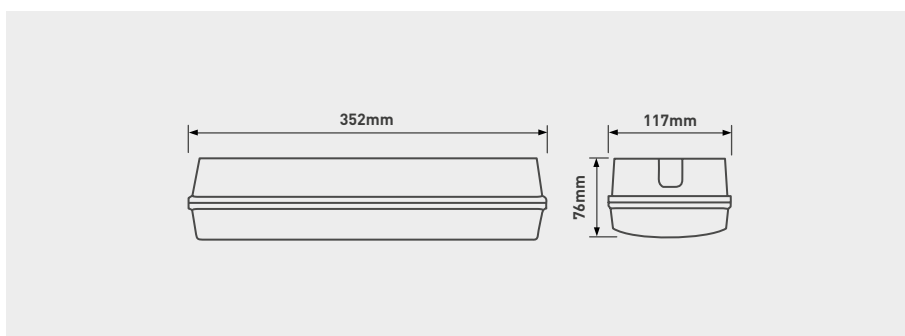
WITH SELF ADHESIVE LEGEND

- Materials: Polycarbonate body and diffuser
- 2.4V 4.5Ah Ni-Cd batteries
- Complete with white LED
- DC or AC/DC operated
- Latest ISO 7010 format legend
- Viewing distance = 24m
- Can also be used as non-maintained
- Fixed output integrated driver



CAT NO.	DESCRIPTION	LUMINAIRE LUMENS	WATTAGE
LEMBHM3	IP65 BULKHEAD	102	3.8W

	HEIGHT	AXIAL DISTANCE FROM WALL	AXIAL SPACING	TRANSVERSE SPACING	TRANSVERSE DISTANCE FROM WALL
OPEN AREA - 0.5 LUX	2.5	3.8	7.6	7.6	3.8
	3	4	8.2	8.2	4
	4	4	9.5	9.5	4
ESCAPE ROUTE - 1 LUX (BASED ON 2M WIDTH)	2.5	-	-	7	3.2
	3	-	-	7.2	3.7
	4	-	-	7.5	2.9



DOWNLIGHT

3HR NON-MAINTAINED

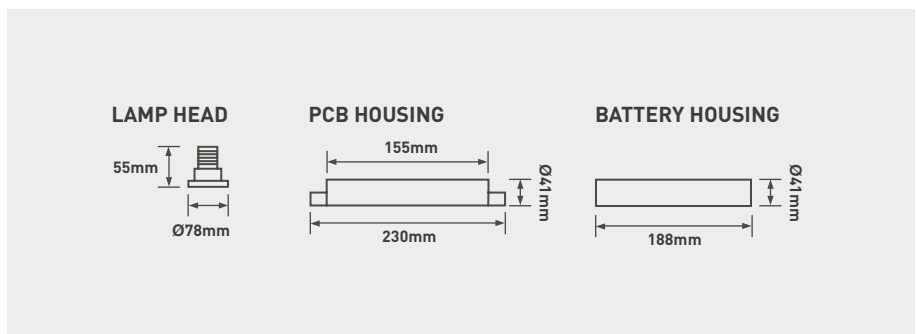


- AC/DC, AC or DC
- Built-in battery: 3.6V 4.5Ah Ni-Cd
- Downlight is illuminated green in normal use, white in emergency mode
- Fixed output integrated driver



CAT NO.	DESCRIPTION	LUMINAIRE LUMENS	WATTAGE
LEM5DLNM3	3HR non-maintained downlight	180	5W

	HEIGHT	DISTANCE FROM WALL	SPACING
OPEN AREA - 0.5 LUX	2.5	3.3	6.3
	3	3.3	6.8
	4	3.6	7.7
ESCAPE ROUTE - 1 LUX (BASED ON 2M WIDTH)	2.5	3.1	6.1
	3	3.3	6.6
	4	3.6	7.5



IP65 TWIN-SPOT

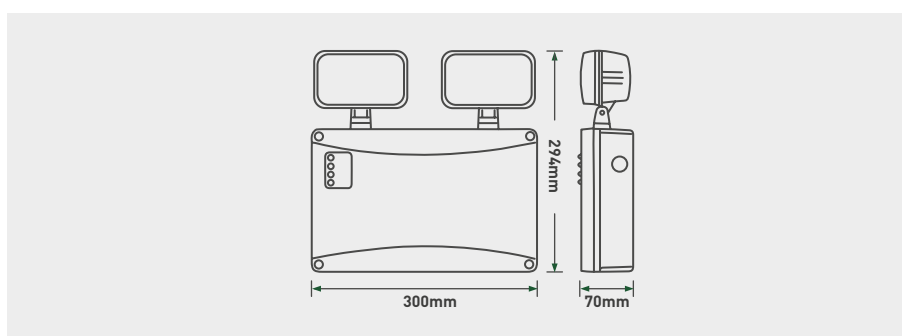
3HR NON-MAINTAINED

- Materials: Polycarbonate adjustable heads
- 3.6V 6Ah Ni-Cd battery
- Complete with white LED
- AC operated
- All plastic construction, ideal for food areas
- Fixed output integrated driver



CAT NO.	DESCRIPTION	LUMINAIRE LUMENS	WATTAGE
LEMIPTWNM3	IP65 twin-spot	420	5W

	HEIGHT	DISTANCE FROM WALL	SPACING	PROJECTION DISTANCE	OPPOSITE DISTANCE
OPEN AREA - 0.5 LUX - MOUNTED ONE SIDE	4	4	14	10	24
	5	4	15.5	10.5	26
	6	4	16.5	11	28
	7	4	17	11.5	30
	8	4	18	12	30
ESCAPE ROUTE - 0.5 LUX (BASED ON 2M WIDTH)	4	10	25	-	-
	5	11	26.5	-	-
	6	11	28.5	-	-
	7	11.5	29.5	-	-
	8	11.5	30	-	-



EXIT BOX

3HR

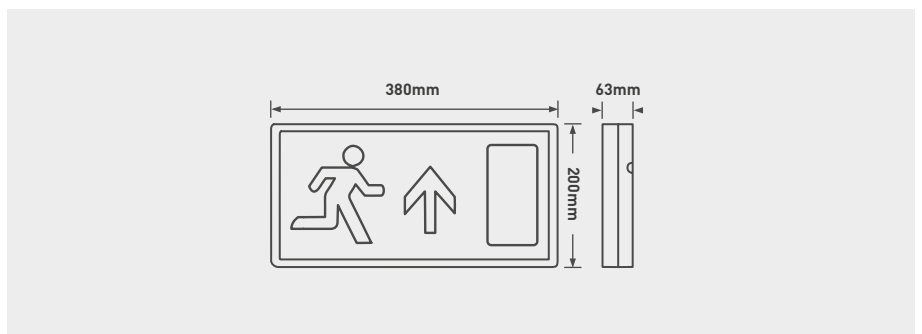
MAINTAINED



- Materials: Steel body and opal PVC diffuser
- Ni-Cd batteries
- Viewing distance = 36m
- 24 hours initial battery charge
- Can be used as non-maintained



CAT NO.	DESCRIPTION	LUMINAIRE LUMENS	WATTAGE
LEMEXM3LG	3hr Emergency	240	6W
LEMEXM3LST	Self test emergency	240	8W
LEMEXM3LDA	DALI emergency	240	6W

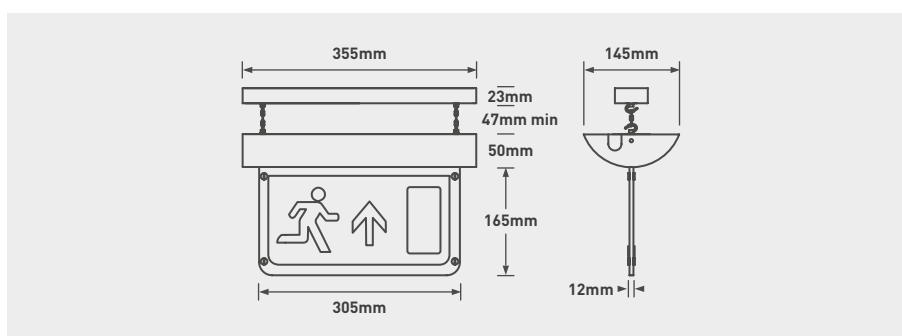


HANGING BLADE 3HR MAINTAINED

- Materials: Steel body and acrylic diffuser
- Ni-Cd batteries
- Viewing distance = 27m
- 24 hours initial battery charge
- Can be used as non-maintained



CAT NO.	DESCRIPTION	LUMINAIRE LUMENS	WATTAGE
LEMDEMELG	3hr Emergency	100	4W
LEMDEMEST	Self test emergency	100	8W
LEMDEMEDA	DALI emergency	100	6W

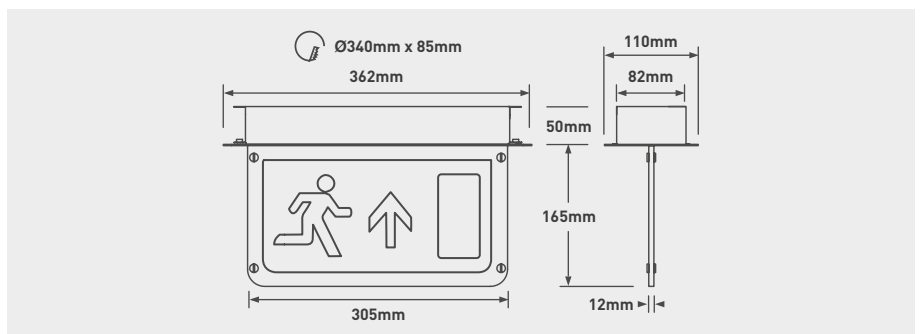


RECESSED BLADE 3HR MAINTAINED

- Materials: Steel body and acrylic diffuser
- Ni-Cd batteries
- Viewing distance = 27m
- 24 hours initial battery charge
- Can be used as non-maintained



CAT NO.	DESCRIPTION	LUMINAIRE LUMENS	WATTAGE
LEMREMELG	3hr Emergency	80	4W
LEMREMEST	Self test emergency	80	8W
LEMREMEDA	DALI emergency	80	6W



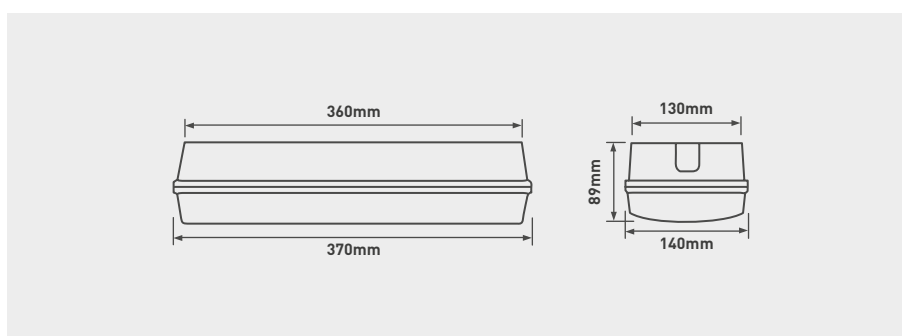
IP65 BULKHEAD 3HR MAINTAINED

- Materials: Polycarbonate body and diffuser
- Ni-Cd batteries
- Viewing distance = 24m
- 24 hours initial battery charge
- Can be used as non-maintained



CAT NO.	DESCRIPTION	LUMINAIRE LUMENS	WATTAGE
LEMBHM3LG	3hr Emergency	100	4W
LEMBHM3ST	Self test emergency	100	8W
LEMBHM3DA	DALI emergency	100	6W

	HEIGHT	AXIAL DISTANCE FROM WALL	AXIAL SPACING	TRANSVERSE SPACING	TRANSVERSE DISTANCE FROM WALL
OPEN AREA - 0.5 LUX	2.5	3.8	6.7	7.9	2.3
	3	3.8	7.1	8.5	2.3
	4	3.8	7.1	9.2	2.6
ESCAPE ROUTE - 1 LUX (BASED ON 2M WIDTH)	2.5	-	-	8.3	3.6
	3	-	-	8.5	3.6
	4	-	-	8.6	2.8



DOWNLIGHT EMERGENCY

- Materials: Makrolon® body and polycarbonate diffuser
- Ni-Cd batteries
- 24 hours initial battery charge



**500
mA**

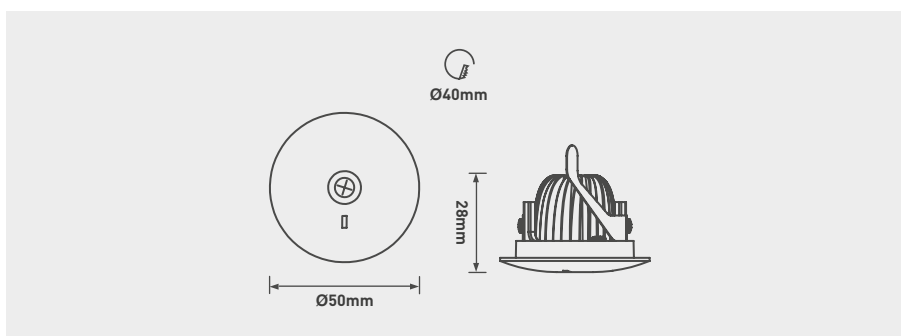
**3HR
EMERGENCY**

**BEAM
ANGLE
110°**

**IP20
RATED**

CAT NO.	DESCRIPTION	LUMINAIRE LUMENS	WATTAGE
LEM6DLM3LG	3hr Maintained emergency	149	6W
LEM8DLM3ST	3hr Maintained self test emergency	149	8W
LEM6DLM3DA	3hr Maintained DALI emergency	149	6W
LEM2DLNM3LG	3hr Non-maintained emergency	150	2W

	HEIGHT	DISTANCE FROM WALL	SPACING
OPEN AREA - 0.5 LUX	2.5	4.2	7.6
	3	4.5	8.5
	4	4.8	10.1
ESCAPE ROUTE - 1 LUX (BASED ON 2M WIDTH)	2.5	3.8	8
	3	3.9	8.7
	4	3.9	9.3



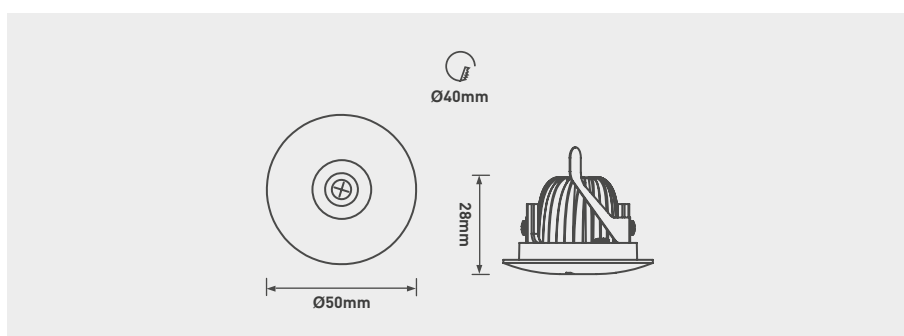
REMOTE DOWNLIGHT WITH WIDE AREA DISTRIBUTION

- Materials: Makrolon® body and polycarbonate diffuser
- Ni-Cd batteries
- 24 hours initial battery charge



CAT NO.	DESCRIPTION	LUMINAIRE LUMENS	WATTAGE
LEM6DLM3WA	3hr Maintained emergency	160	6W
LEM8DLM3WS	3hr Maintained self test emergency	160	8W
LEM6DLM3WD	3hr Maintained DALI emergency	160	6W
LEM2DLNM3WA	3hr Non-maintained emergency	150	2W

	HEIGHT	DISTANCE FROM WALL	SPACING
	LEM6DLM3WA, LEM8DLM3WS, LEM6DLM3WD		
OPEN AREA - 0.5 LUX	2.5	3.9	7
	3	4.3	7.1
	4	5.2	8.8
	LEM2DLNM3WA		
OPEN AREA - 0.5 LUX	2.5	3.8	6.9
	3	4.2	7
	4	5.1	8.7



REMOTE DOWNLIGHT WITH LINEAR AREA DISTRIBUTION

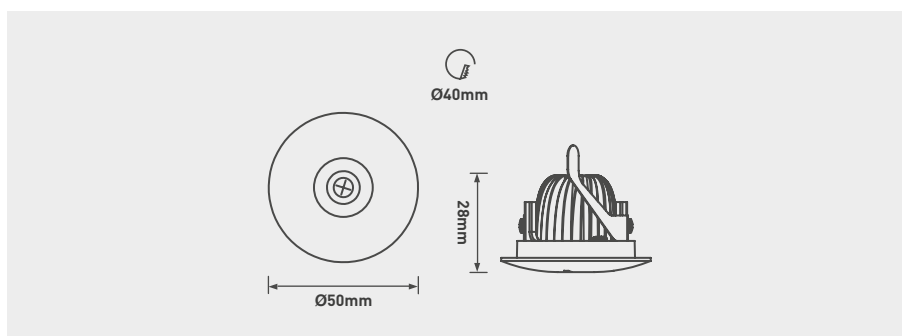


- Materials: Makrolon® body and polycarbonate diffuser
- Ni-Cd batteries
- 24 hours initial battery charge



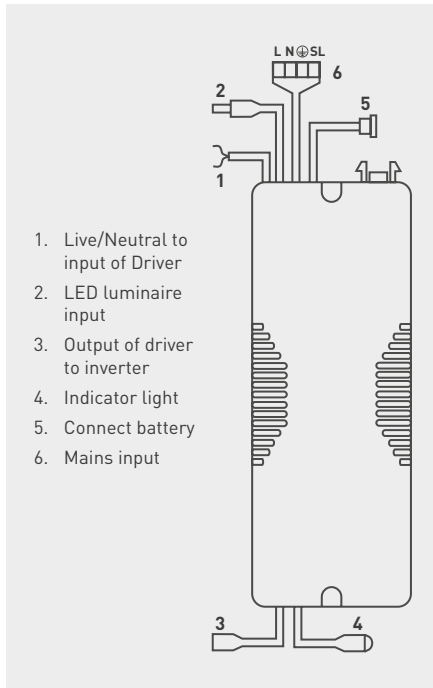
CAT NO.	DESCRIPTION	LUMINAIRE LUMENS	WATTAGE
LEM6DLM3CA	3hr Maintained emergency	160	6W
LEM8DLM3CS	3hr Maintained self test emergency	160	8W
LEM6DLM3CD	3hr Maintained DALI emergency	160	6W
LEM2DLNM3CA	3hr Non-maintained emergency	150	2W

	HEIGHT	DISTANCE FROM WALL	SPACING
	LEM6DLM3CA, LEM8DLM3CS, LEM6DLM3CD		
ESCAPE ROUTE - 1 LUX (BASED ON A 2M WIDTH)	2.5	4.9	9.8
	3	5.4	11
	4	5.7	13.1
	LEM2DLNM3CA		
ESCAPE ROUTE - 1 LUX (BASED ON A 2M WIDTH)	2.5	4.8	9.6
	3	5.3	10.8
	4	5.6	13



EMERGENCY PACK

- Compatible with all LuxPanels, Platinum and Carbon downlights ranges
- Can be retro-fitted to fixed output or dimmable drivers
- Battery pack can be replaced
- Supplied with all required connections and mini bezel for charge indicator



CAT NO.	DESCRIPTION
LED3EP80-0J	Emergency pack



Emergency LED indicator
within Surface Frame

EMERGENCY SPECIFICATION

	EXIT BOX	DECORATIVE EXIT	IP65 BULKHEAD	DOWNLIGHT	TWINSPOT	EXITBOX	HANGING BLADE	RECESSED BLADE	IP65 BULKHEAD	DOWNLIGHT	DOWNLIGHT WIDE	DOWNLIGHT LINEAR
	LEMEXM3	LEMDEM3	LEMBHM3	LEM5DLNM3	LEMIPTWNM3	LEMEXME**	LEMDEME**	LEMREME**	LEMBHM3**	LEM6DLM3**	LEM6DLM3W*	LEM6DLM3C*
PAGE NUMBER	103	104	105	106	107	108	109	110	111	112	113	114
LENGTH / DIA (mm)	394	400	352	78	300	380	305	305	370	50	50	50
WIDTH (mm)	195	250	117	N/A	294	200	285	215	140	N/A	N/A	N/A
HEIGHT/ DEPTH (mm)	26	30	76	55	70	63	145	110	89	28	28	28
WEIGHT (g)	1.3	0.7	1.1	0.8	6.5	1.7	2.3	2.2	2.1	0.6	0.6	0.6
L FIXING CENTRES (mm)	N/A											
W FIXING CENTRES (mm)	N/A											
CEILING CUT OUT (mm)	N/A	N/A	N/A	68	N/A	N/A	N/A	N/A	N/A	40	40	40
LUMINAIRE LUMENS (Llm)	45	50	102	180	420	240	100	80	100	149	160	160
LUMINAIRE WATTAGE (W)	1.3	3	3.8	5	5	6	4	4	4	6	6	6
EFFICACY Llm/W	35	17	27	36	84	40	25	20	25	25	27	27
CCT (K)	N/A											
CRI	>80											
UGR	N/A											
IP RATED	IP20	IP20	IP65	IP20	IP65	IP20	IP20	IP20	IP65	IP20	IP20	IP20
IK RATED	N/A											
GLOW WIRE (°C)	850											
RAL COLOUR	N/A											
TEMP. RANGE (°C)	0 to +30											
RATED LIFE (HR)	30,000											
AMBIENT TEMP. RATED LIFE (°C)	25											
L AT RATED LIFE	70											
B AT RATED LIFE	50											
VOLTAGE RANGE	220-240V											
FREQUENCY	50hz											
EMERGENCY PACK CODE	N/A											
WARRANTY (3 / 5 YEARS)	3 YEAR WARRANTY											





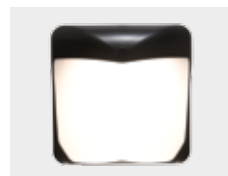
OUTDOOR



119
Atlas



122
Fortis
Bulkhead



123
Fortis
Wallpack



124
Guardian
Pro



128
Stadium
Flood



130
In Ground
Uplights



132
Architectural
Spots



134
Post top



137
Road
Lanterns



139
Commercial
Bollard



140
Decorative
Bollard



141
Decorative
Wall



142
Architectural
Wall



143
Canopy

ATLAS BULKHEAD

- Polycarbonate construction
- Replacement for TC-DD (2D)
- Multiple mounting options
- Microwave sensor and emergency versions
- 0% or 10% Corridor mode available on MW version



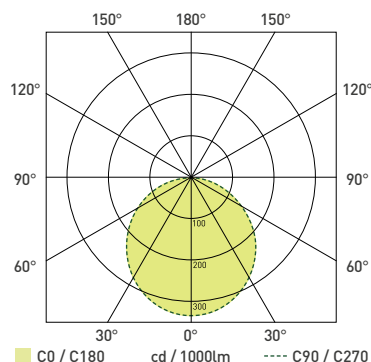
LBH154K

LUMINAIRE PERFORMANCE

Light Output Ratio: 100%
 Luminaire Efficacy: 91 lm/W
 Light Distribution: A40 ↓98.2% ↑1.8%
 CIE Flux Codes: 46 77 94 98 100



LUMINOUS INTENSITY



CAT NO.	DRIVER	LUMINAIRE LUMENS	WATTAGE	EFFICACY Llm/W	EQUIVALENT WATTAGE
LBH154K	Standard	1250	14W	88	28
LBH154K3M	3hr Emergency	1250	15W	81	28
LBH154KMW	Microwave	1250	15W	84	28
LBH154KMW3M	Microwave Emergency	1250	16W	78	28
LBH214K	Standard	2100	24W	88	38
LBH214K3M	3hr Emergency	2100	26W	81	38
LBH214KMW	Microwave	2100	25W	84	38
LBH214KMW3M	Microwave Emergency	2100	27W	78	38

COMPATIBLE ACCESSORIES

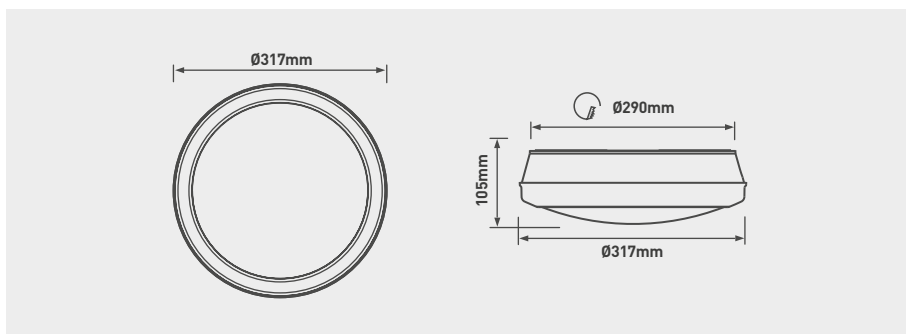
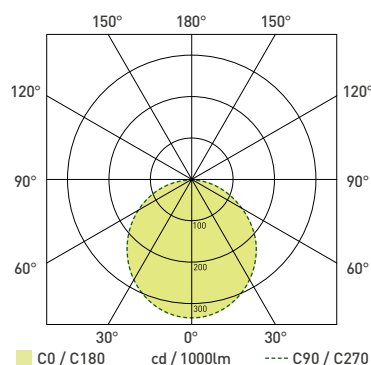
For interior cover, see page 120
 Exterior covers also available.

LBH214K

LUMINAIRE PERFORMANCE

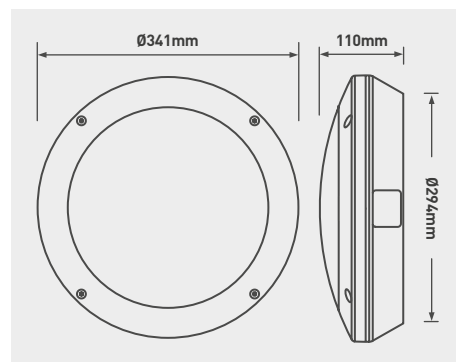
Light Output Ratio: 100%
 Luminaire Efficacy: 87.5 lm/W
 Light Distribution: A40 ↓98.2% ↑1.8%
 CIE Flux Codes: 46 77 94 98 100

LUMINOUS INTENSITY



EXTERIOR ACCESSORIES

- For use with Atlas bulkhead (order bulkhead separately)
- Comes with front and back covers and tamper proof screws, a high security screw kit is also available including special tool - **LBHATK**
- All die-cast aluminium accessories are finished in RAL7021 'Granite Grey'
- Front covers can be rotated every 90°
- Access to rear BESA and four side entry points



GREY
FINISH
RAL7021

IP65
RATED



LBH154AME



LBH154AMG



LBH154AMP



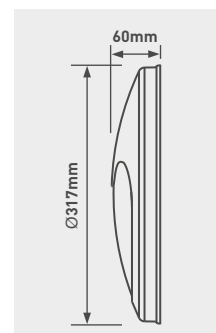
LBH154AMS

CAT NO.	DESCRIPTION
LBH154AME	Metal Eyelid
LBH154AMG	Metal Grille
LBH154AMP	Metal Standard
LBH154AMS	Metal Split Eyelid

INTERIOR ACCESSORIES

- For use with Atlas bulkhead (order bulkhead separately)
- Comes with front and back covers and tamper proof screws, a high security screw kit is also available including special tool - **LBHATK**
- Front covers can be rotated every 90°
- Access to rear BESA and four side entry points

WHITE
FINISH
RAL9016



CAT NO.	DESCRIPTION
LBH154APE	Plastic Eyelid Cover



FORTIS

BULKHEAD

- Replacement for TC-DD (2D)
- Multiple mounting options
- Microwave sensor and emergency versions
- Die-Cast housing and polycarbonate diffuser



LBF13L40-01

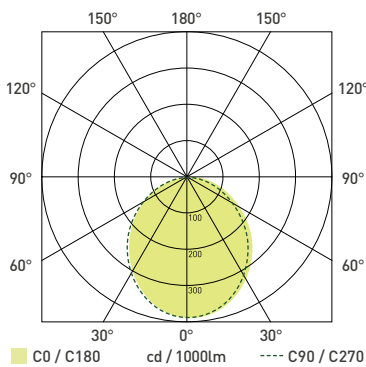
LUMINAIRE PERFORMANCE

Light Output Ratio: 100%
 Luminaire Efficacy: 86.21 lm/W
 Light Distribution: A40 ↓98.6% ↑1.4%
 CIE Flux Codes: 49 79 95 99 100



CAT NO.	DRIVER	LUMINAIRE LUMENS	WATTAGE	EFFICACY Llm/W	EQUIVALENT WATTAGE
LBF13L40	Standard	1250	14W	89	28W 2D
LBF13L40MW	Microwave	1250	14W	89	28W 2D
LBF13E40	Emergency	1250	15W	83	28W 2D
LBF13E40MW	Microwave Emergency	1250	15W	83	28W 2D
LBF21L40	Standard	2100	24W	88	38W 2D
LBF21L40MW	Microwave	2100	24W	88	38W 2D
LBF21E40	Emergency	2100	25W	84	38W 2D
LBF21E40MW	Microwave Emergency	2100	25W	84	38W 2D

LUMINOUS INTENSITY

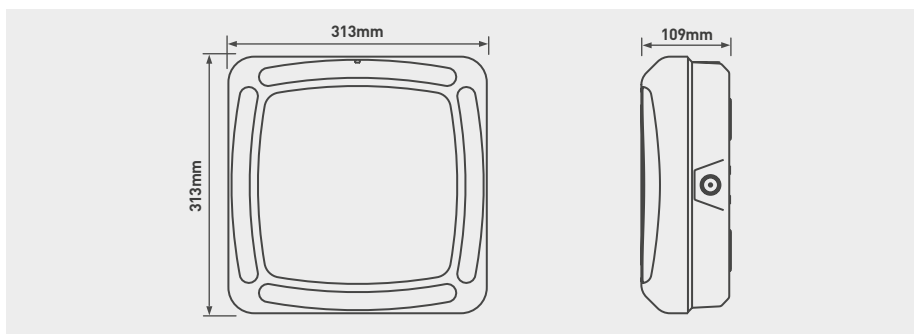
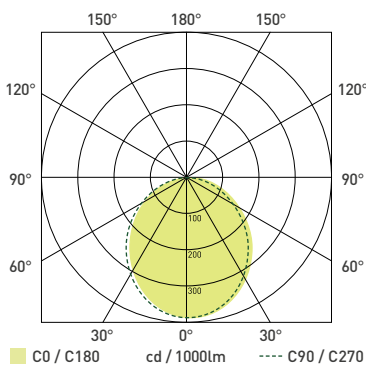


LBF21L40-01

LUMINAIRE PERFORMANCE

Light Output Ratio: 100%
 Luminaire Efficacy: 87.5 lm/W
 Light Distribution: A40 ↓98.6% ↑1.4%
 CIE Flux Codes: 49 79 95 99 100

LUMINOUS INTENSITY



FORTIS WALLPACK

- Replacement for HID
- CRI>80 ideal for CCTV areas
- Die-Cast housing with polycarbonate diffuser



LWF40S40

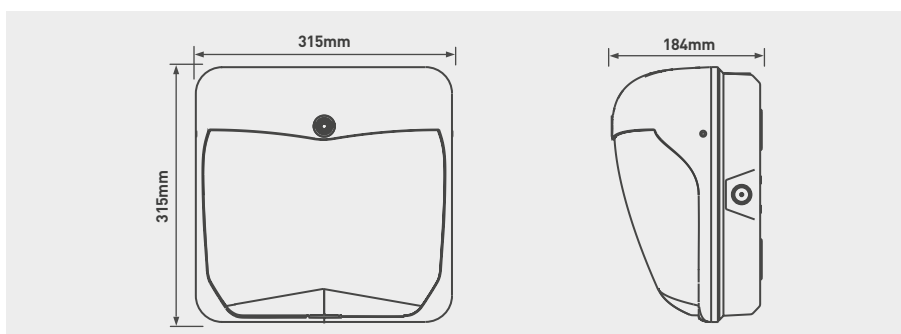
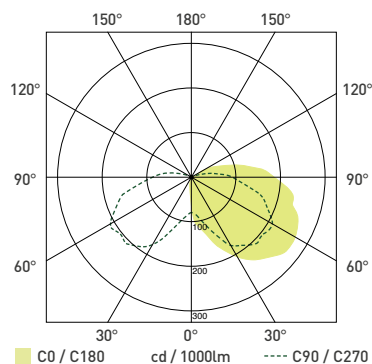
LUMINAIRE PERFORMANCE

Light Output Ratio: 100%
 Luminaire Efficacy: 88.89 lm/W
 Light Distribution: B21 ↓80.6% ↑19.04%
 CIE Flux Codes: 23 52 79 81 100



CAT NO.	DRIVER	LUMINAIRE LUMENS	WATTAGE	EFFICACY Llm/W	CURRENT	EQUIVALENT WATTAGE
LWF40S40	Standard	4000	45W	89	1050mA	70W HID
LWF40S40PC	Photocell	4000	45W	89	1050mA	70W HID
LWF40E40	Emergency	4000	47W	85	1050mA	70W HID
LWF40E40PC	Photocell Emergency	4000	47W	85	1050mA	70W HID

LUMINOUS INTENSITY



GUARDIAN PRO FLOODLIGHTS



- Horizontal mounting floodlight
- Maintenance free
- Pre-wired 1m of H05RN-F rubber cable
- "Fit and tilt" bracket for simple installation
- Tilt adjustment locks
- Alternative symmetric beam angle also available

LFP50B140F

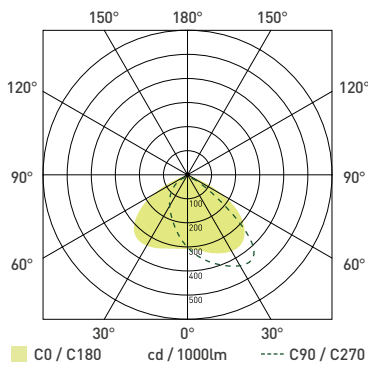
LUMINAIRE PERFORMANCE

Light Output Ratio: 90.2%
 Luminaire Efficacy: 101.02 lm/W
 Light Distribution: A40 ↓100.0% ↑0.0%
 CIE Flux Codes: 49 88 99 100 90



CAT NO.	DRIVER	LUMINAIRE LUMENS	WATTAGE	EFFICACY Llm/W
LFP50B140F	Standard	5200	50W	105
LFPL50B140F	Integrated Photocell	5200	50W	105

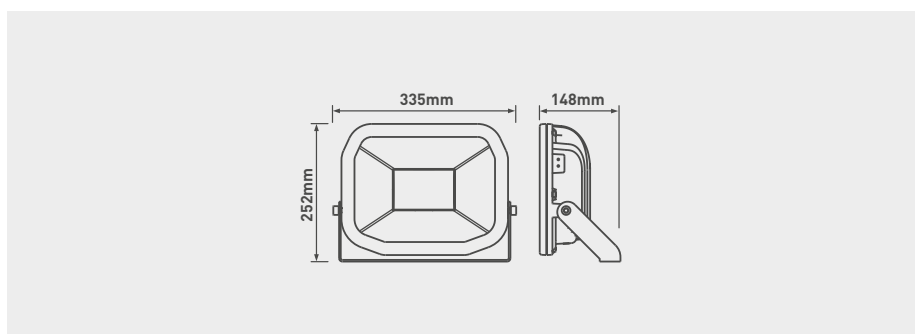
LUMINOUS INTENSITY



LFP EQUIVALENT WATTAGES TO HID

LFP	MBF	HQI/SOON	SUGGEST MOUNT HT
LFP50	125W	70W	3 - 5m

NOTE - All figures are suggestions and it is recommended to have a full lighting design prepared to validate



GUARDIAN PRO FLOODLIGHTS

- Horizontal mounting floodlight
- Maintenance free
- Pre-wired 1m of H05RN-F rubber cable
- "Fit and tilt" bracket for simple installation
- Tilt adjustment locks
- Alternative symmetric beam angle also available



LFP100B140F

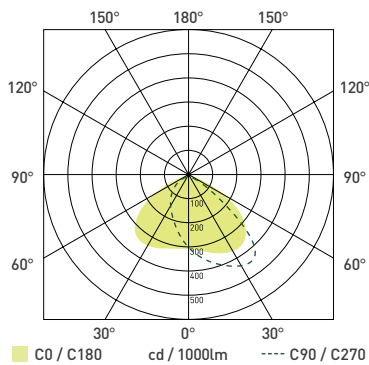
LUMINAIRE PERFORMANCE

Light Output Ratio: 90.2%
 Luminaire Efficacy: 101.47 lm/W
 Light Distribution: A40 ↓100.0% ↑0.0%
 CIE Flux Codes: 49 88 99 100 90



CAT NO.	DRIVER	LUMINAIRE LUMENS	WATTAGE	EFFICACY Llm/W
LFP100B140F	Standard	10500	100W	105
LFPL100B140F	Integrated Photocell	10500	100W	105

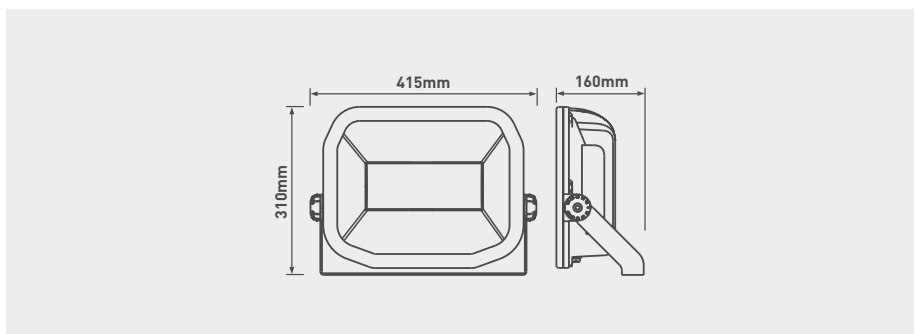
LUMINOUS INTENSITY



LFP EQUIVALENT WATTAGES TO HID

LFP	MBF	HQI/SOON	SUGGEST MOUNT HT
LFP100	250W	150W	4 - 6m

NOTE - All figures are suggestions and it is recommended to have a full lighting design prepared to validate



GUARDIAN PRO FLOODLIGHTS



- Horizontal mounting floodlight
- Maintenance free
- Pre-wired 1m of H05RN-F rubber cable
- "Fit and tilt" bracket for simple installation
- Tilt adjustment locks
- Alternative symmetric beam angle also available

LFP160B140F

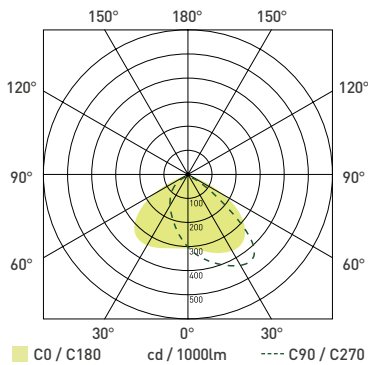
LUMINAIRE PERFORMANCE

Light Output Ratio: 90.2%
 Luminaire Efficacy: 106.55 lm/W
 Light Distribution: A40 ↓100.0% ↑0.0%
 CIE Flux Codes: 49 88 99 100 90



CAT NO.	DRIVER	LUMINAIRE LUMENS	WATTAGE	EFFICACY Llm/W
LFP160B140F	Standard	16000	155W	105
LFPL160B140F	Integrated Photocell	16000	155W	105

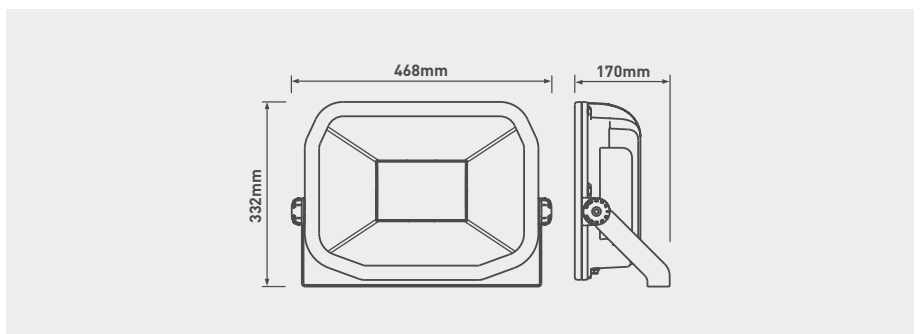
LUMINOUS INTENSITY



LFP EQUIVALENT WATTAGES TO HID

LFP	MBF	HQI/SON	SUGGEST MOUNT HT
LFP160	400W	250W	5 - 8m

NOTE - All figures are suggestions and it is recommended to have a full lighting design prepared to validate





STADIUM FLOODLIGHT

500W

- Ideal for large areas such as sports grounds
- Instant 100% light output
- Equivalent to 1000W Metal Halide

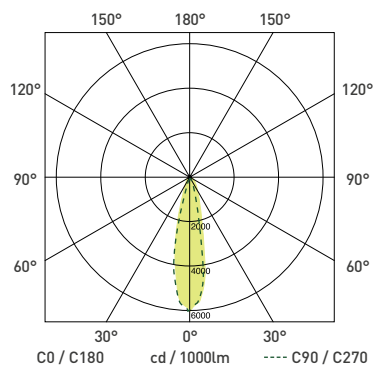


LCSFL60S15

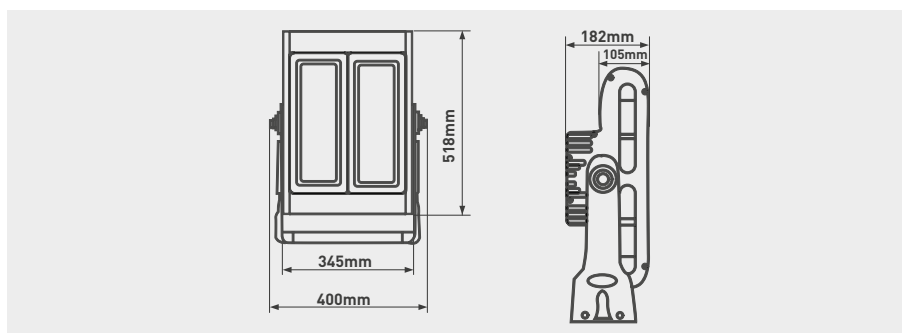
LUMINAIRE PERFORMANCE

Light Output Ratio: 100%
 Luminaire Efficacy: 119.55 lm/W
 Light Distribution: A80 ↓100.0% ↑0.0%
 CIE Flux Codes: 97 99 100 100 100

LUMINOUS INTENSITY



CAT NO.	LUMINAIRE LUMENS	WATTAGE	EFFICACY Llm/W	COLOUR TEMP.	BEAM ANGLE	EQUIVALENT WATTAGE
LCSFL60S15	60000	500W	120	5000K	15°	1000W
LCSFL60S30	60000	500W	120	5000K	30°	1000W
LCSFL60S60	60000	500W	120	5000K	60°	1000W



STADIUM FLOODLIGHTS

1000W

- Ideal for large areas such as sports grounds
- Instant 100% light output
- Equivalent to 2000W Metal Halide



LCSFL120S15

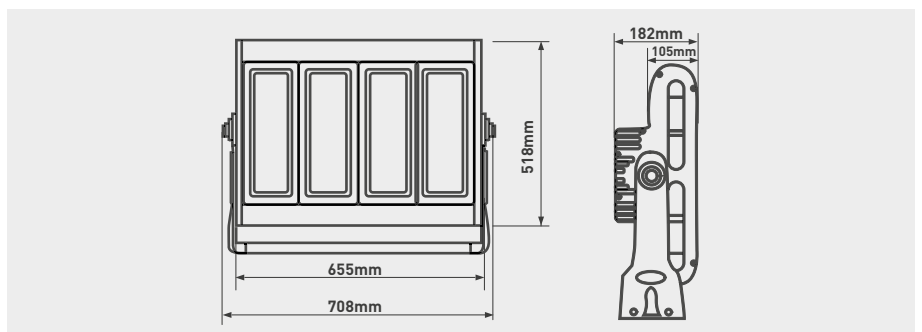
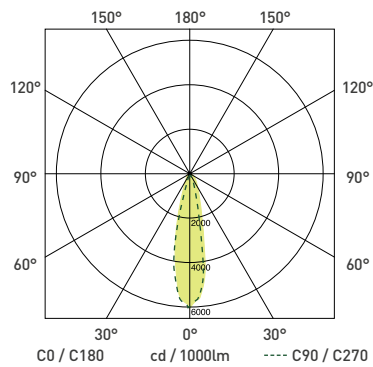
LUMINAIRE PERFORMANCE

Light Output Ratio: 100%
 Luminaire Efficacy: 111.22 lm/W
 Light Distribution: A80 ↓100.0% ↑0.0%
 CIE Flux Codes: 97 99 100 100 100



CAT NO.	LUMINAIRE LUMENS	WATTAGE	EFFICACY Llm/W	COLOUR TEMP.	BEAM ANGLE	EQUIVALENT WATTAGE
LCSFL120S15	120000	1000W	120	5000K	15°	2000W
LCSFL120S30	120000	1000W	120	5000K	30°	2000W
LCSFL120S60	120000	1000W	120	5000K	60°	2000W

LUMINOUS INTENSITY



FIXED BURIED UPLIGHT

- Fixed beam
- 2500kg max loading
- Low surface temperature glass



LEAMBU1F50



LEAMBU4F50

LEAMBU1F50

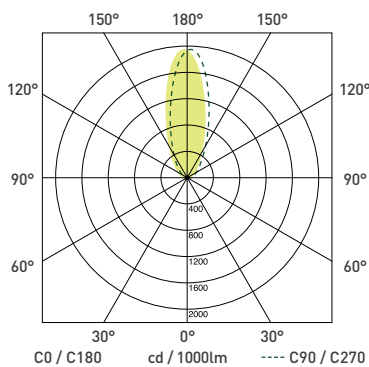
LUMINAIRE PERFORMANCE

Light Output Ratio: 100%
 Luminaire Efficacy: 66.43 lm/W
 Light Distribution: A70 ↓100.0% ↑0.0%
 CIE Flux Codes: 84 95 99 100 100



CAT NO.	LUMINAIRE LUMENS	WATTAGE	EFFICACY Llm/W
LEAMBU1F50	87	1.4W	62
LEAMBU4F50	284	4W	71

LUMINOUS INTENSITY

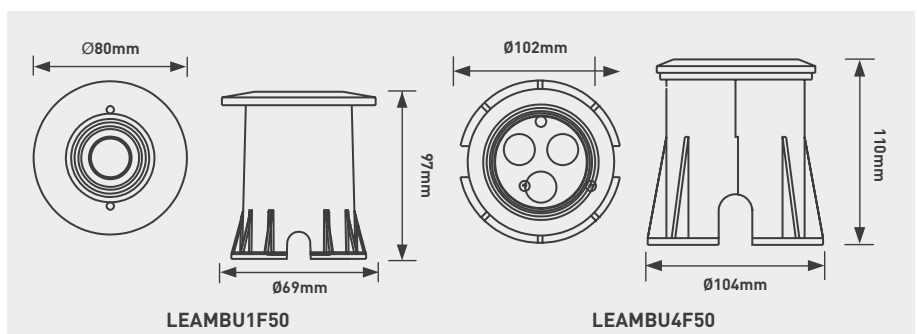
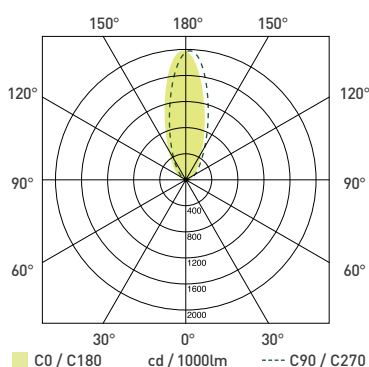


LEAMBU4F50

LUMINAIRE PERFORMANCE

Light Output Ratio: 100%
 Luminaire Efficacy: 68.29 lm/W
 Light Distribution: A70 ↓100.0% ↑0.0%
 CIE Flux Codes: 84 95 99 100 100

LUMINOUS INTENSITY



OUTDOOR

ADJUSTABLE BURIED UPLIGHT

- Adjustable, beam can be tilted at 10°, 30° or 40° settings
- 2500kg max loading
- Low surface temperature glass



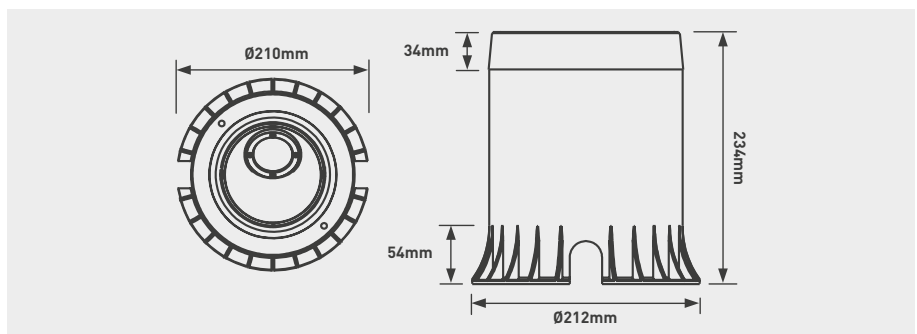
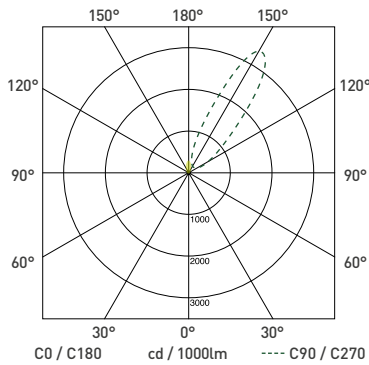
LEAMBU12A50 LUMINAIRE PERFORMANCE

Light Output Ratio: 100%
 Luminaire Efficacy: 71.83 lm/W
 Light Distribution: A60 ↓100.0% ↑0.0%
 CIE Flux Codes: 70 96 100 100 100



CAT NO.	LUMINAIRE LUMENS	WATTAGE	EFFICACY Llm/W
LEAMBU12A50	840	12.4W	67

LUMINOUS INTENSITY



ARCHITECTURAL SPOT

- Durable die cast construction
- Toughened glass lens
- Adjustable 350°
- Rotation 15°



LEAR42550

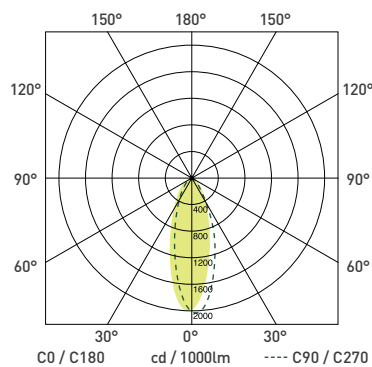
LUMINAIRE PERFORMANCE

Light Output Ratio: 100%
 Luminaire Efficacy: 59.51 lm/W
 Light Distribution: A70 ↓100.0% ↑0.0%
 CIE Flux Codes: 84 95 99 100 100



CAT NO.	LUMINAIRE LUMENS	WATTAGE	EFFICACY Llm/W
LEAR42550	250	4.1W	60
LEAR82550	480	8.2W	58

LUMINOUS INTENSITY

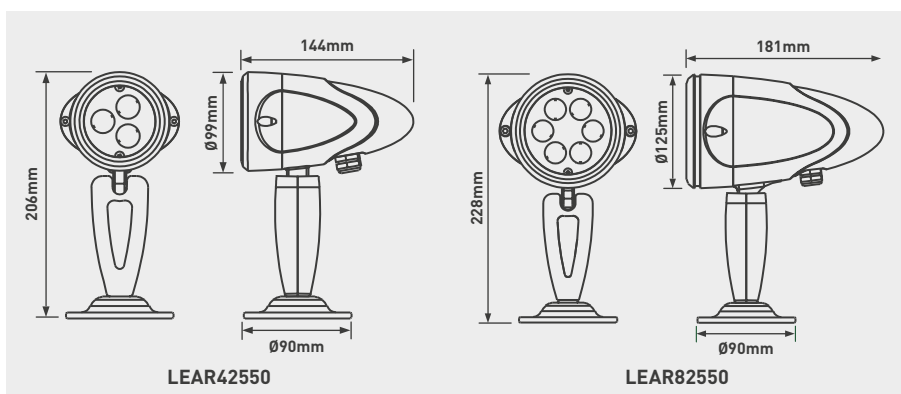
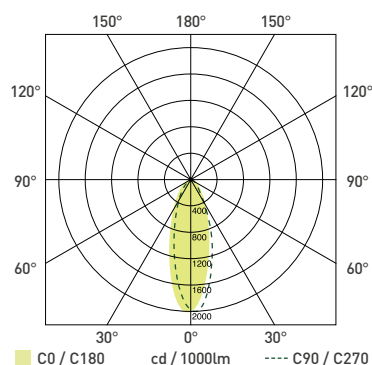


LFSP30B150

LUMINAIRE PERFORMANCE

Light Output Ratio: 100%
 Luminaire Efficacy: 62.07 lm/W
 Light Distribution: A70 ↓100.0% ↑0.0%
 CIE Flux Codes: 84 95 99 100 100

LUMINOUS INTENSITY



POST TOP AMENITY LANTERN

- No upward light pollution
- Aluminium and toughened glass construction
- Low glare design
- Recommended height 3-5 metre
- 114mm diameter post top entry



LEAMPT30C50

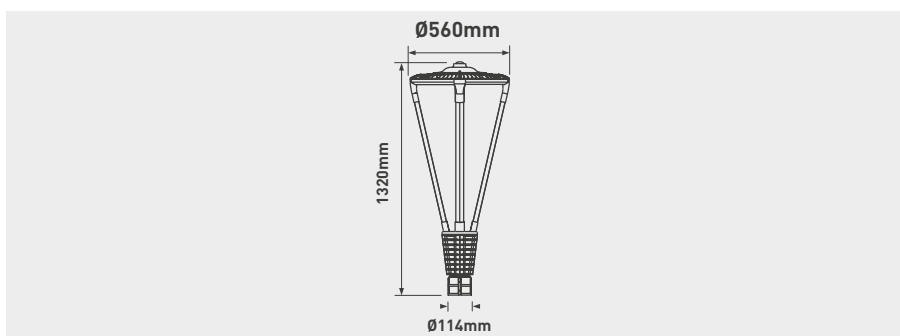
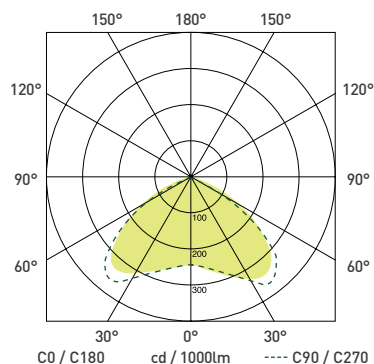
LUMINAIRE PERFORMANCE

Light Output Ratio: 100%
 Luminaire Efficacy: 75.37 lm/W
 Light Distribution: A40 ↓100.0% ↑0.0%
 CIE Flux Codes: 49 88 99 100 100



CAT NO.	LUMINAIRE LUMENS	WATTAGE	EFFICACY Llm/W
LEAMPT30C50	2250	30W	75

LUMINOUS INTENSITY



POST TOP AMENITY LANTERN

- Minimal upward light
- Aluminium and polycarbonate construction
- Low glare design
- Recommended height 3-5 metre
- 60mm diameter post top entry



LEAMPT30G50

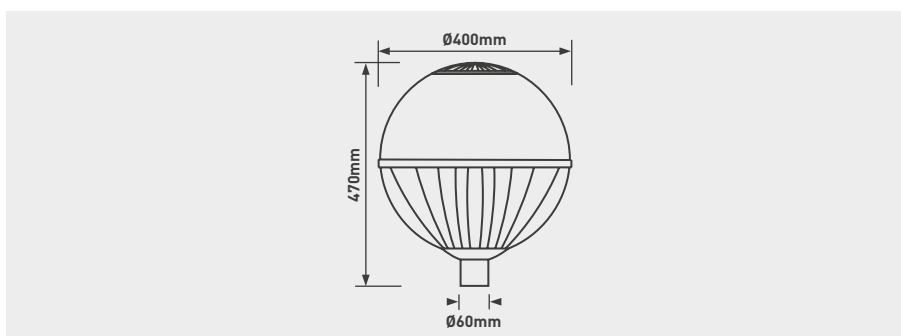
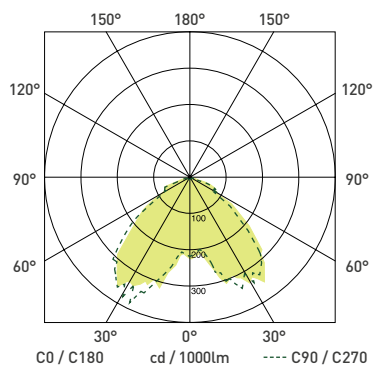
LUMINAIRE PERFORMANCE

Light Output Ratio: 100%
 Luminaire Efficacy: 66.44 lm/W
 Light Distribution: A41 ↓96.6% ↑3.4%
 CIE Flux Codes: 49 83 94 97 100



CAT NO.	LUMINAIRE LUMENS	WATTAGE	EFFICACY Llm/W
LEAMPT30G50	2000	30W	66

LUMINOUS INTENSITY



POST TOP AMENITY LANTERN

- No upward light pollution
- Aluminium and polycarbonate construction
- Contemporary design
- Recommended height 3-5 metre
- 89mm diameter post top entry



LEAMPT62V50

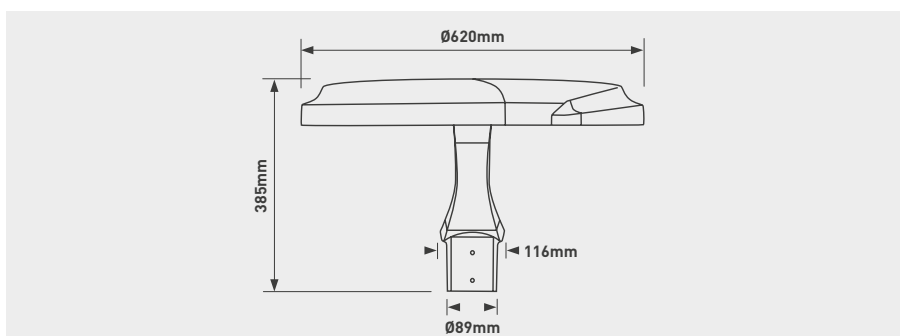
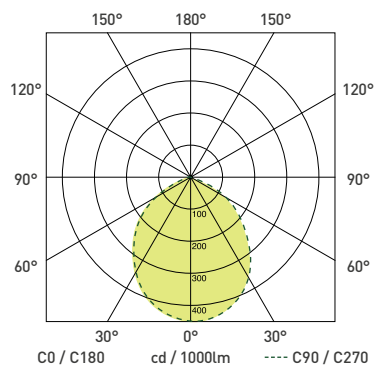
LUMINAIRE PERFORMANCE

Light Output Ratio: 100%
 Luminaire Efficacy: 38.1 lm/W
 Light Distribution: A50 ↓99.9% ↑0.1%
 CIE Flux Codes: 55 86 99 100 100



CAT NO.	LUMINAIRE LUMENS	WATTAGE	EFFICACY Llm/W
LEAMPT62V50	2500	62W	40

LUMINOUS INTENSITY



POST TOP AMENITY LANTERN



- Aluminium and polycarbonate construction
- Minimal upward light
- Recommended height 4-6 metre
- 76mm diameter post top entry

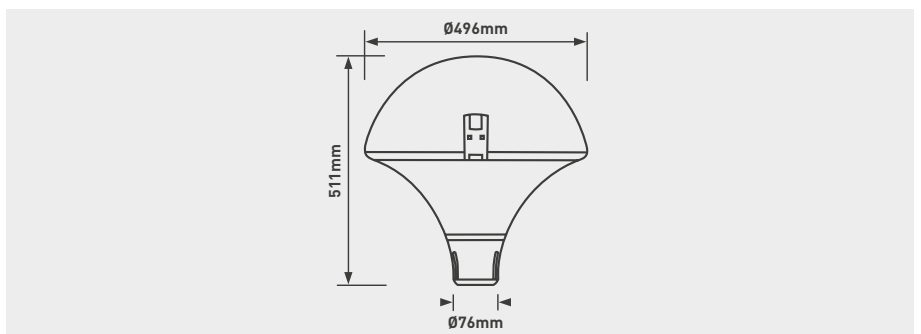
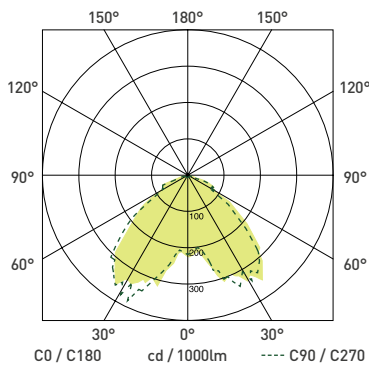
LEAMPT55D50 LUMINAIRE PERFORMANCE

Light Output Ratio: 100%
 Luminaire Efficacy: 94 lm/W
 Light Distribution: A41 ↓94.1% ↑5.9%
 CIE Flux Codes: 49 83 94 97 100



CAT NO.	LUMINAIRE LUMENS	WATTAGE	EFFICACY Llm/W
LEAMPT55D50	5200	55W	94

LUMINOUS INTENSITY



POST TOP ROAD LANTERN



- Aluminium and toughened glass
- Two part construction allowing easy 'first fix' installation
- No upward light pollution
- Modern slim design
- Accepts 48mm or 60mm diameter mounting bracket/arm horizontal or vertical

LES RTP59R50

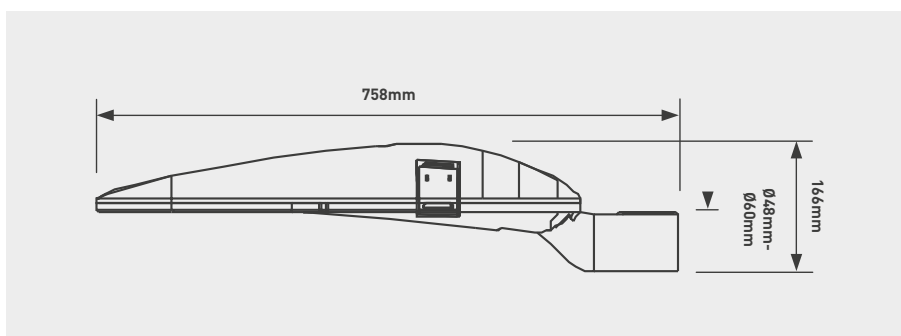
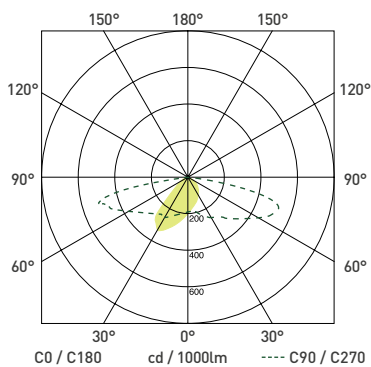
LUMINAIRE PERFORMANCE

Light Output Ratio: 100%
 Luminaire Efficacy: 102.95 lm/W
 Light Distribution: A30 ↓100.0% ↑0.0%
 CIE Flux Codes: 35 71 96 100 101



CAT NO.	LUMINAIRE LUMENS	WATTAGE	EFFICACY Llm/W
LES RTP59R50	6200	59W	105

LUMINOUS INTENSITY



POST TOP ROAD LANTERN

- Minimal upward light
- Aluminium and polycarbonate construction
- 48mm diameter side entry



LESRTB50R50

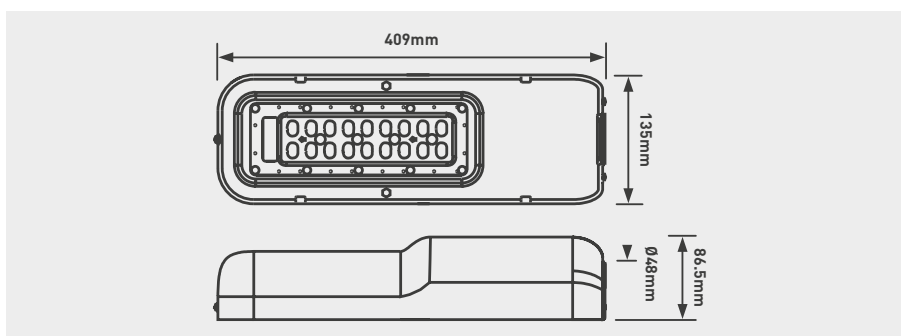
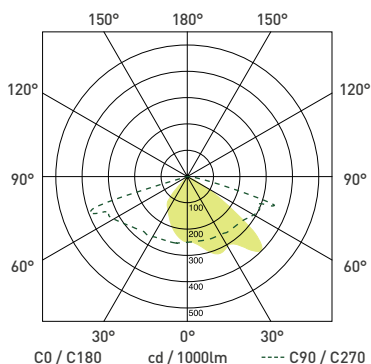
LUMINAIRE PERFORMANCE

Light Output Ratio: 100%
 Luminaire Efficacy: 96.86 lm/W
 Light Distribution: A40 ↓98.9% ↑1.1%
 CIE Flux Codes: 39 76 98 99 100



CAT NO.	LUMINAIRE LUMENS	WATTAGE	EFFICACY Llm/W
LESRTB50R50	4930	50W	99

LUMINOUS INTENSITY



COMMERCIAL BOLLARD

- Root mounted
- Aluminium and Polycarbonate



LEABD17B40

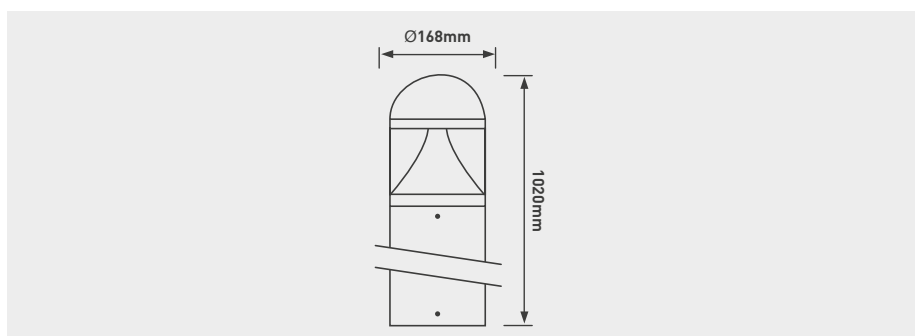
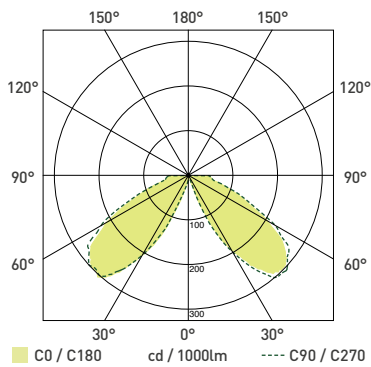
LUMINAIRE PERFORMANCE

Light Output Ratio: 100%
 Luminaire Efficacy: 68 lm/W
 Light Distribution: A20 ↓99.9% ↑0.1%
 CIE Flux Codes: 26 70 92 100 100



CAT NO.	LUMINAIRE LUMENS	WATTAGE	EFFICACY Llm/W	EQUIVALENT WATTAGE
LEABD17B40	1700	25W	68	70W MBI

LUMINOUS INTENSITY



DECORATIVE BOLLARD

- Root mounted
- Aluminium and Polycarbonate
- Indirect light distribution



LEABF6B40

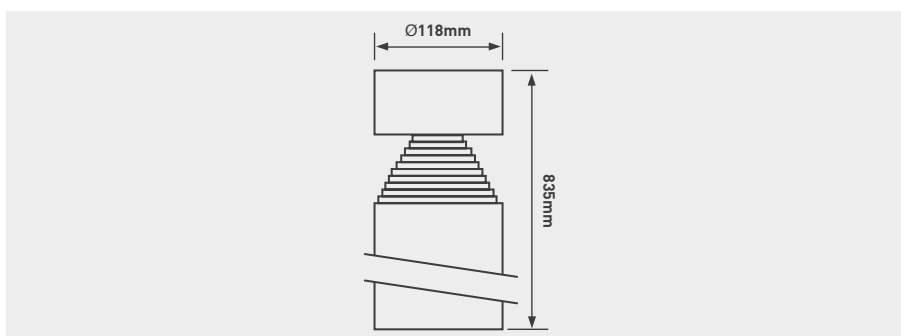
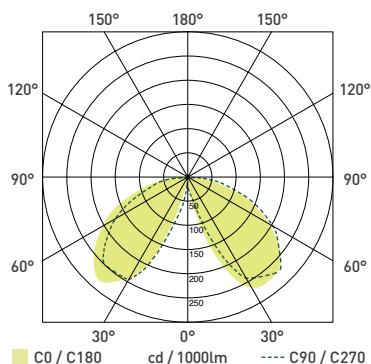
LUMINAIRE PERFORMANCE

Light Output Ratio: 100%
 Luminaire Efficacy: 66.67 lm/W
 Light Distribution: A30 ↓100.0% ↑0.0%
 CIE Flux Codes: 32 69 92 100 100



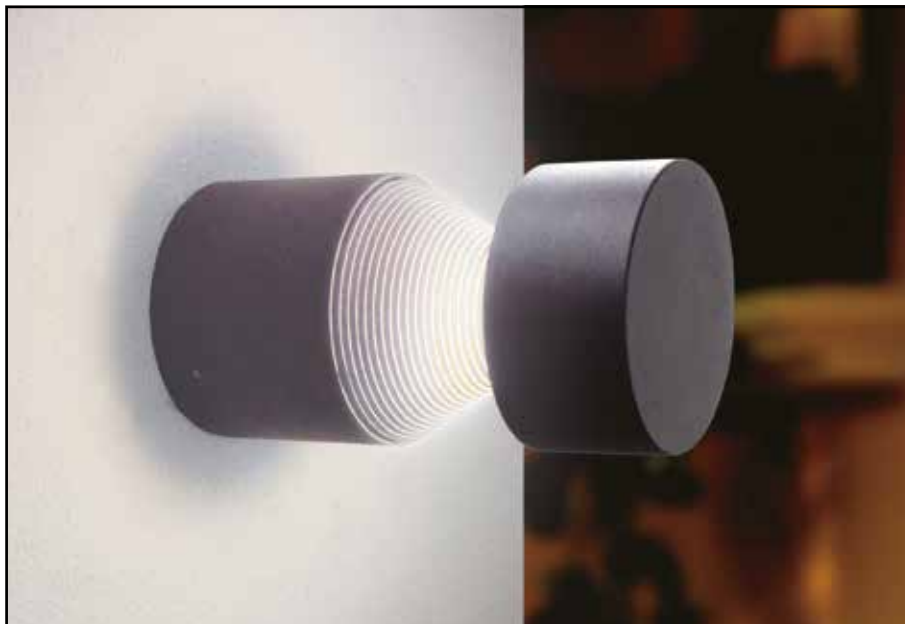
CAT NO.	LUMINAIRE LUMENS	WATTAGE	EFFICACY Llm/W	EQUIVALENT WATTAGE
LEABF6B40	650	10W	67	26W PL

LUMINOUS INTENSITY



DECORATIVE WALL

- Surface mounted
- Aluminium and Polycarbonate
- Indirect light distribution



LEABWF6B40

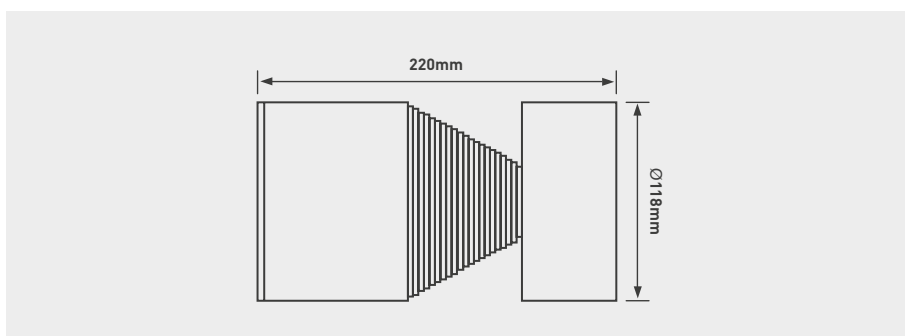
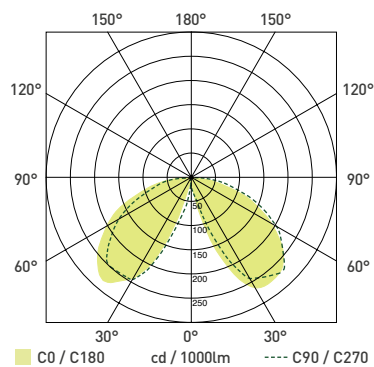
LUMINAIRE PERFORMANCE

Light Output Ratio: 100%
 Luminaire Efficacy: 66.67 lm/W
 Light Distribution: A30 ↓100.0% ↑0.0%
 CIE Flux Codes: 32 69 92 100 100



CAT NO.	LUMINAIRE LUMENS	WATTAGE	EFFICACY Llm/W	EQUIVALENT WATTAGE
LEABWF6B40	600	9W	67	26W PL

LUMINOUS INTENSITY



ARCHITECTURAL WALL

- Balanced 50/50 up/down light distribution
- Aluminium and polycarbonate construction



LEAWS17B40

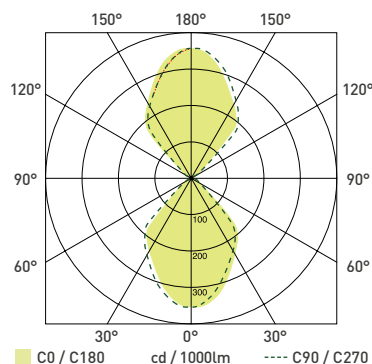
LUMINAIRE PERFORMANCE

Light Output Ratio: 100%
 Luminaire Efficacy: 85 lm/W
 Light Distribution: C64 ↓50.0% ↑50.0%
 CIE Flux Codes: 78 98 100 50 100



CAT NO.	LUMINAIRE LUMENS	WATTAGE	EFFICACY Lm/W	EQUIVALENT WATTAGE
LEAWS17B40	1700	20W	85	2 x 20W CDM-T
LEAWL38B40	3800	40W	95	2 x 35W CDM-T

LUMINOUS INTENSITY

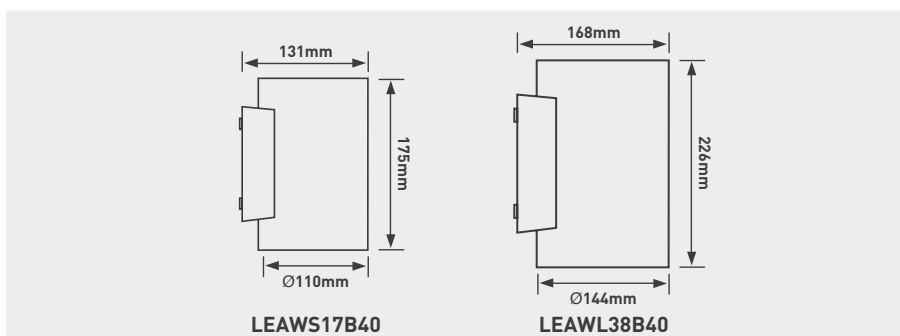
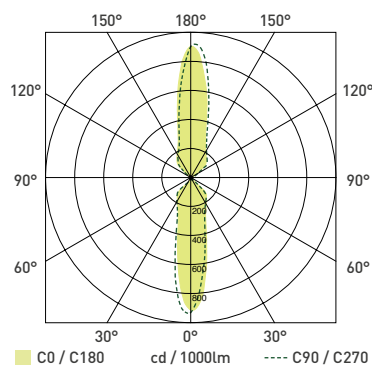


LEAWL38B40

LUMINAIRE PERFORMANCE

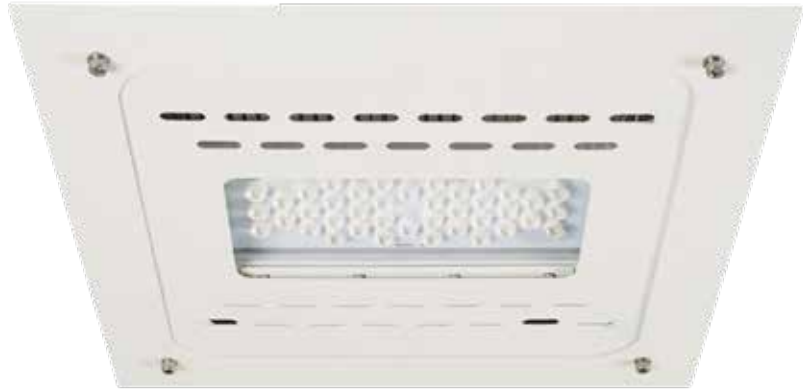
Light Output Ratio: 100%
 Luminaire Efficacy: 95 lm/W
 Light Distribution: C64 ↓50.0% ↑50.0%
 CIE Flux Codes: 82 98 100 50 100

LUMINOUS INTENSITY



CANOPY

- Replacement to HID luminaires
- Ideal for canopies, loading bays and petrol stations



LCRW17S40- 60°

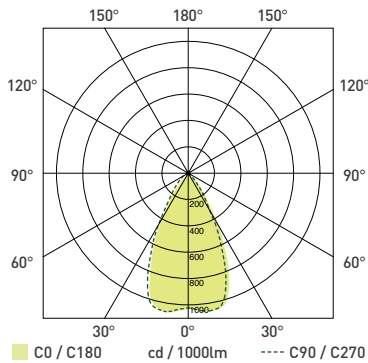
LUMINAIRE PERFORMANCE

Light Output Ratio: 100%
 Luminaire Efficacy: 109.08 lm/W
 Light Distribution: A70 ↓100.0% ↑0.0%
 CIE Flux Codes: 86 97 99 100 100



CAT NO.	LUMINAIRE LUMENS	WATTAGE	EFFICACY Llm/W
LCRW12S40	12000	110W	109
LCRW17S40	17000	170W	100

LUMINOUS INTENSITY

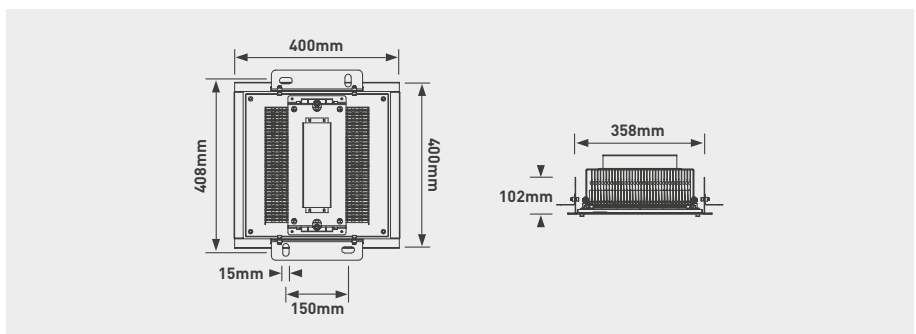
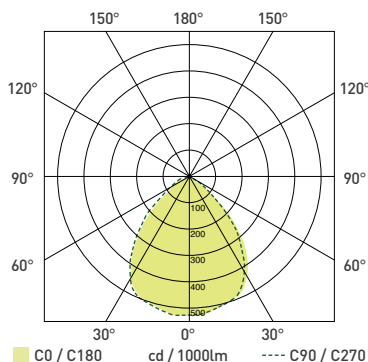


LCRW17S40- 90°

LUMINAIRE PERFORMANCE

Light Output Ratio: 100%
 Luminaire Efficacy: 107.98 lm/W
 Light Distribution: A50 ↓100.0% ↑0.0%
 CIE Flux Codes: 68 94 100 100 100

LUMINOUS INTENSITY



OUTDOOR SPECIFICATION

	ATLAS BULKHEAD								FORTIS BULKHEAD								FORTIS		GUARDIAN PRO						STADIUM FLOODS	
	LBH154K	LBH154K3M	LBH154KMW	LBH154KMW3M	LBH214K	LBH214K3M	LBH214KMW	LBH214KMW3M	LBF13L40	LBF13L40MW	LBF13E40	LBF13E40MW	LBF21L40	LBF21L40MW	LBF21E40	LBF21E40MW	LWF40S40**	LWF40E40**	LFP50B140F	LFP50B140F	LFP100B140F	LFP100B140F	LFP160B140F	LFP160B140F	LCSFL60S**	LCSFL120S**
PAGE NUMBER	119	119	119	119	119	119	119	119	122	122	122	122	122	122	122	122	123	123	124	124	125	125	126	126	128	129
LENGTH / DIA (mm)	317	317	317	317	317	317	317	317	313	313	313	313	313	313	313	313	315	315	335	335	415	415	468	468	400	708
WIDTH (mm)	-	-	-	-	-	-	-	-	313	313	313	313	313	313	313	313	315	315	252	252	310	310	332	332	518	518
HEIGHT/DEPTH (mm)	105	105	105	105	105	105	105	105	109	109	109	109	109	109	109	109	184	184	148	148	160	160	170	170	182	182
WEIGHT (kg)	1.25	2.1	1.45	2.35	1.25	2.1	1.45	2.35	1.7	1.9	2.6	2.8	1.7	1.9	2.6	2.8	2	2.2	4.5	4.5	6.4	6.4	7.2	7.2	16.5	29.6
L FIXING CENTRES (mm)	BESA	BESA	BESA	BESA	BESA	BESA	BESA	BESA	BESA	BESA	BESA	BESA	BESA	BESA	BESA	BESA	BESA	BESA	N/A	N/A	N/A	N/A	N/A	N/A	N/A	N/A
W FIXING CENTRES (mm)	N/A																									
CEILING CUT OUT (mm)	N/A																									
LUMINAIRE LUMENS (Lm)	1250	1250	1250	1250	2100	2100	2100	2100	1250	1250	1250	1250	2100	2100	2100	2100	4000	4000	5200	5200	10500	10500	16000	16000	60000	120000
LUMINAIRE WATTAGE (W)	14	14	15	15	24	24	25	25	14	14	15	15	24	24	25	25	45	47	50	50	100	100	160	160	500	1000
EFFICACY Llm/W	89	89	83	83	88	88	84	84	89	89	83	83	88	88	84	84	89	85	105	105	105	105	105	105	120	120
CCT (K)	4000																								5000	
CRI	>80																									
UGR	≤20	≤20	≤20	≤20	≤22	≤22	≤22	≤22	≤20	≤20	≤20	≤20	≤22	≤22	≤22	≤22	≤27	≤27	N/A	N/A	N/A	N/A	N/A	N/A	N/A	N/A
IP RATED	IP65																									
IK RATED	IK08																									
GLOW WIRE (°C)	650	650	650	650	650	650	650	650	650	650	650	650	650	650	650	650	650	650	N/A	N/A	N/A	N/A	N/A	N/A	N/A	N/A
RAL COLOUR	9016	9016	9016	9016	9016	9016	9016	9016	7021	7021	7021	7021	7021	7021	7021	7021	7021	7021	7021	7021	7021	7021	7021	7021	7045	7045
TEMP. RANGE (°C)	-20 + 40	0 + 40	-20 + 40	0 + 40	-20 + 40	0 + 40	-20 + 40	0 + 40	-20 + 40	-20 + 40	0 + 40	-20 + 40	-20 + 40	-20 + 40	0 + 40	-20 + 40	-20 + 40	-20 + 40	-20 + 40	-20 + 40	-20 + 40	-20 + 40	-20 + 40	-20 + 40	-20 + 40	-20 + 40
RATED LIFE (HR)	50,000																									
AMBIENT TEMP. RATED LIFE (°C)	25																40						25			
L AT RATED LIFE	70																									
B AT RATED LIFE	10	10	10	10	10	10	10	10	10	10	10	10	10	10	10	10	10	10	10	10	10	10	10	10	10	10
VOLTAGE RANGE	220-240V																									
FREQUENCY	50hz																									
EMERGENCY PACK CODE	N/A																									
WARRANTY (3/5 YEARS)	5 YEAR WARRANTY																									

OUTDOOR

All data/figures shown are for information and should be validated prior to any critical actions. Luceco reserve the right to change specifications without notice. Different specification parameters, such as CCT, B and L values are available, subject to quantity criteria for selected luminaires.

	UPLIGHTS			SPOT		POST TOP			ROAD LANTERN		BOLLARDS		WALL			CANOPY				
	LEAMBU1F50	LEAMBU4F50	LEAMBU12A50	LEAR42550	LEAR82550	LEAMPT30C50	LEAMPT30G50	LEAMPT62V50	LEAMPT55D50	LESRTP59R50	LESRTB50R50	LEABD17B40	LEABF6B40	LEABWF6B40	LEAWS17B40	LEAWL38B40	LCRW12S40	LCRW17S40		
PAGE NUMBER	130	130	131	132	132	133	134	135	136	137	138	139	140	141	142	142	143	143		
LENGTH / DIA (mm)	80	102	210	99	125	560	400	620	496	758	409	168	118	118	110	144	408	408		
WIDTH (mm)	-	-	-	206	228	-	-	-	-	332	135	-	-	-	-	-	400	400		
HEIGHT/ DEPTH (mm)	97	110	234	144	181	1320	470	385	511	166	86.5	1020	835	220	175	266	102	102		
WEIGHT (kg)	0.5	2	3.2	0.9	1.2	15.1	5	6	5.9	6.8	3.5	5.65	2.9	1.4	1.6	2.65	7	7.5		
L FIXING CENTRES (mm)	N/A	N/A	N/A	N/A	N/A	N/A	N/A	N/A	N/A	N/A	N/A	N/A	N/A	N/A	N/A	N/A	400	400		
W FIXING CENTRES (mm)	N/A	N/A	N/A	N/A	N/A	N/A	N/A	N/A	N/A	N/A	N/A	N/A	N/A	N/A	N/A	N/A	150	150		
CEILING CUT OUT (mm)	N/A	N/A	N/A	N/A	N/A	N/A	N/A	N/A	N/A	N/A	N/A	N/A	N/A	N/A	N/A	N/A	358	358		
LUMINAIRE LUMENS (Lm)	87	284	840	250	480	2250	2000	2500	5200	6200	4930	1700	650	600	1700	3800	12000	17000		
LUMINAIRE WATTAGE (W)	1.4	4	12.4	4.1	8.2	30	30	62	55	59	50	25	10	9	20	40	110	170		
EFFICACY Llm/W	62	71	67	60	58	75	67	40	95	105	99	68	65	67	85	95	109	100		
CCT (K)	5000										4000									
CRI	>80																			
UGR	N/A																			
IP RATED	IP67			IP65						IP66	IP65									
IK RATED	IK08																			
GLOW WIRE (°C)	N/A																			
RAL COLOUR	7040	7040	7040	7040	7040	7040	9023	9011	9023	9023	7040	7021	7021	7021	7021	7021	9016	9016		
TEMP. RANGE (°C)	-20 + 40																			
RATED LIFE (HR)	30,000																50,000			
AMBIENT TEMP. RATED LIFE (°C)	25																			
L AT RATED LIFE	70																			
B AT RATED LIFE	50																			
VOLTAGE RANGE	220-240V																			
FREQUENCY	50hz																			
EMERGENCY PACK CODE	N/A																			
WARRANTY (3 /5 YEARS)	3 YEAR WARRANTY																5 YEAR WARRANTY			

LIGHTING CONTROLS



147
Low
Profile PIR



148
Adjustable
Microwave



149
High Ceiling
Mounted
PIR



150
Ceiling/Wall
Mounted
Microwave



151
Batten
Mount PIR



151
Remote
Control

PRESENCE/ ABSENCE DETECTOR

LOW PROFILE PIR

SWITCHING DETECTOR

- Absence detection switching
- Manual on/off override via switch input

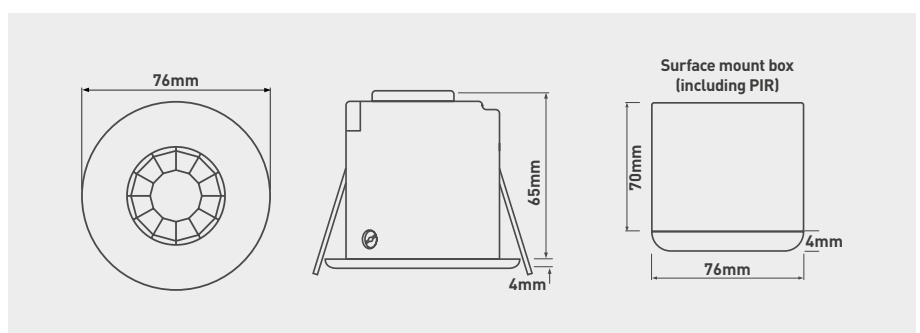
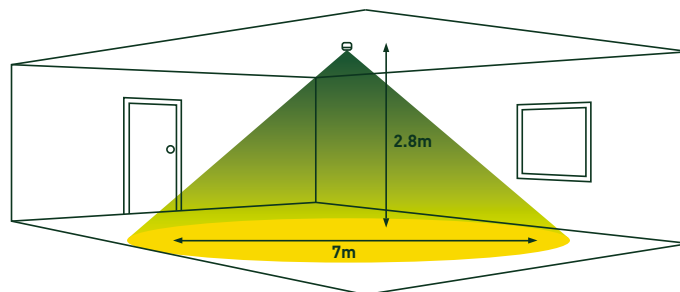
DIMMING DETECTOR

- Dimming functionality
- Two channel flexibility
- Scene setting and recall
- Integral relay to reduce parasitic power



CAT NO.	DESCRIPTION
LPCMPIRM	Switching PIR
LPCMPIRDSI	Switching Direct Dim DALI/DSI
LPCLRBOX	Surface mount box

DETECTION PATTERN



PRESENCE/ ABSENCE DETECTOR

ADJUSTABLE MICROWAVE

SWITCHING DETECTOR

- Absence detection switching
- Manual on/off override via switch input

DIMMING DETECTOR

- Dimming functionality
- Two channel flexibility
- Scene setting and recall
- Integral relay to reduce parasitic power
- Suitable for all lighting types
- Manual dimming with IR
- Manual dimming with switch input



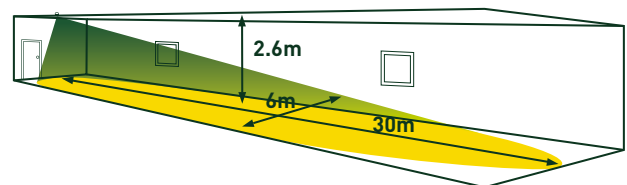
LOAD
RATING
10A

CAT NO.	DESCRIPTION
LPCLRPIRM	Switching PIR
LPCLRPIRDSI	Switching Direct Dim DALI/DSI
LPCLRCMBOX	Surface mount box

DETECTION PATTERN

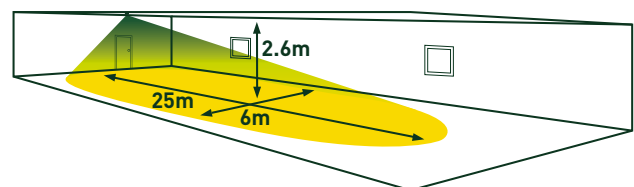
CORRIDORS

Sensitivity set to maximum
Detector head position set to 80°



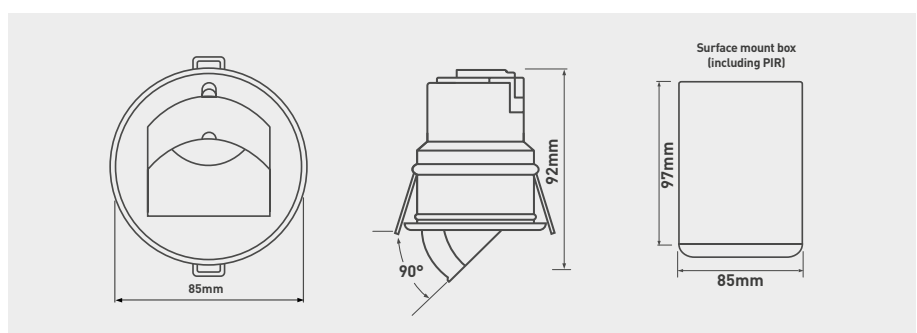
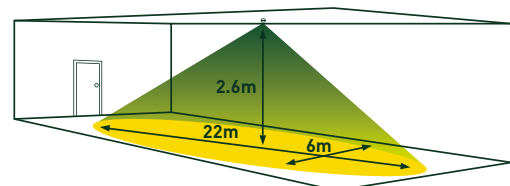
LARGE OFFICE/ CLASSROOM

Sensitivity set to 80°
Detector head position set to 80°



MID SIZED OFFICE

Sensitivity set to maximum
Detector head position set to 0°



PRESENCE/ ABSENCE DETECTOR

HIGH CEILING MOUNTED PIR

- Ground breaking detection range up to 40m (dependent on location)
- Mounting height up to 20m
- Unique lens technology – high sensitivity within the detection range
- Ideal for high mounting applications
- Adjustable masking shields to tailor detection zones (supplied)



1.



2.



3.



4.

SWITCHING DETECTOR

- Absence detection switching
- Manual on/off override via switch input
- Verify feature – reduce false triggering by ensuring detection from more than one of the internal sensors

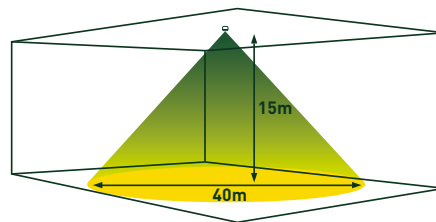


CAT NO.	DESCRIPTION
LPCMHPIRM65	Switching PIR
LPCMHPIRDSI65	Switching Direct Dim DALI/DSI

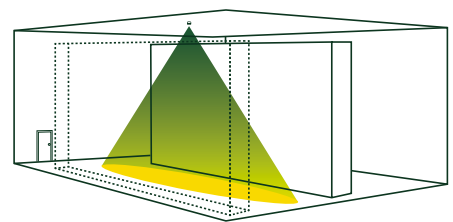
DIMMING DETECTOR

- Dimming functionality
- Two channel flexibility
- Scene setting and recall
- Integral relay to reduce parasitic power
- Suitable for all lighting types
- Manual dimming with IR
- Manual dimming with switch input

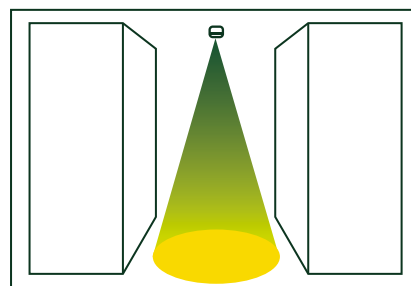
1. NO SHIELD DETECTION PATTERN



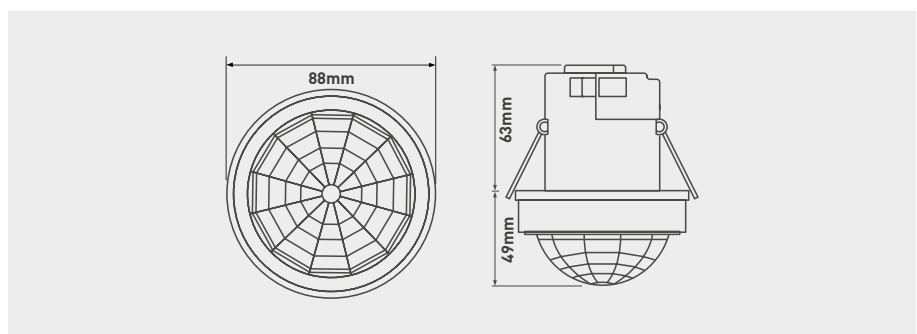
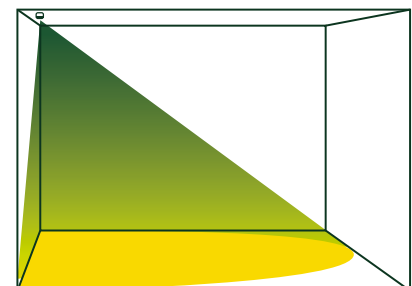
2. AISLE DETECTION PATTERN



3. FOCUSED DETECTION PATTERN



4. END OF AISLE DETECTION PATTERN



PRESENCE DETECTOR

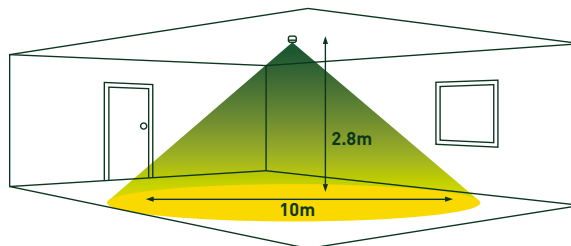
CEILING/WALL MOUNTED MICROWAVE

- Built in lux level sensing - enhanced energy saving
- Fixing screw cap covers - smooth plate finish
- Vandal resistant design
- Minimal parasitic power
- Override facility

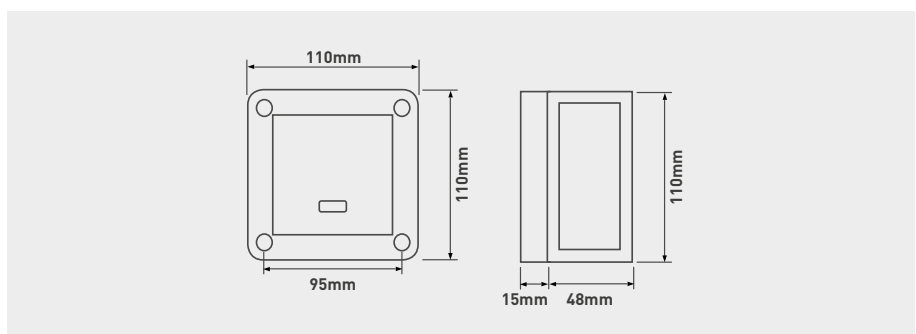
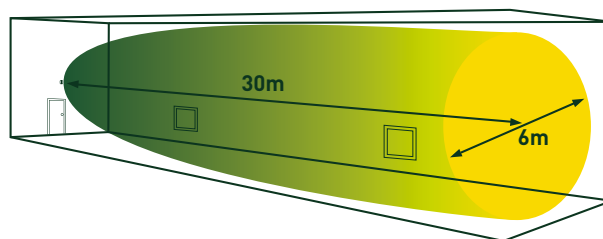


CAT NO.	DESCRIPTION
LPCSMP66	Switching PIR

CEILING MOUNTED DETECTION PATTERN



WALL MOUNTED DETECTION PATTERN



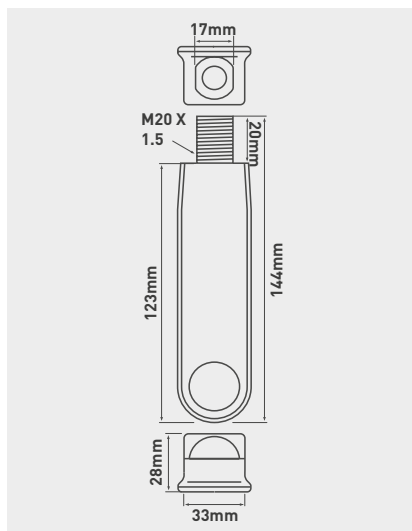
PRESENCE DETECTOR

BATTEN MOUNT PIR

- Integrated unit - no separate power supply required
- Suitable for a wide range of luminaires
- Supplied with comprehensive fitting kit
- Retrofit solution

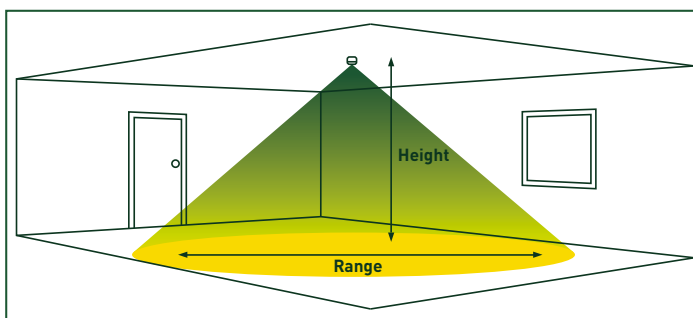
DIMMING DETECTOR

- Scene setting and recall
- Suitable for all lighting types
- Manual dimming with IR



CAT NO.	DESCRIPTION	LOAD RATING
LPC3BSP65	Switching PIR	2A
LPC3BDP65	Switching Direct Dim DALI/DSI	N/A

DETECTION PATTERN



REMOTE CONTROL

FOR CEILING MOUNT PIR

Our range of infrared (IR) handsets have been designed to allow simple configuration and maximum user convenience.

There's a handset to suit every user whether it's the contractor or building manager making a simple adjustment to a single detector, or a room user who simply wishes to override a setting or switch between pre-programmed scenes. Compatible with all Luceco sensors.



LPCUHC – Commissioning handset

- Compact infrared handset
- Basic programming of IR enabled products



LPCUSER – User handset

- Simple scene setting
- On/off, raise/lower

GLOSSARY OF TERMS

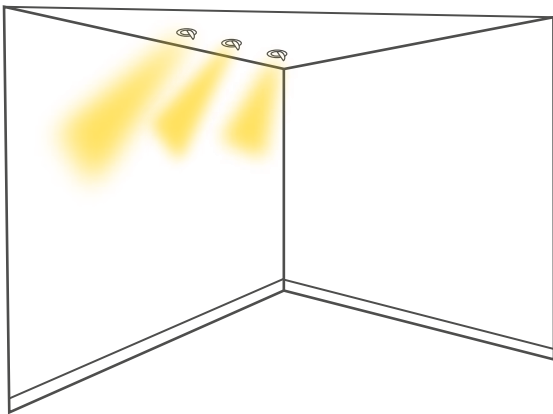
AC (~)

Alternating Current, as found in the mains power supply.



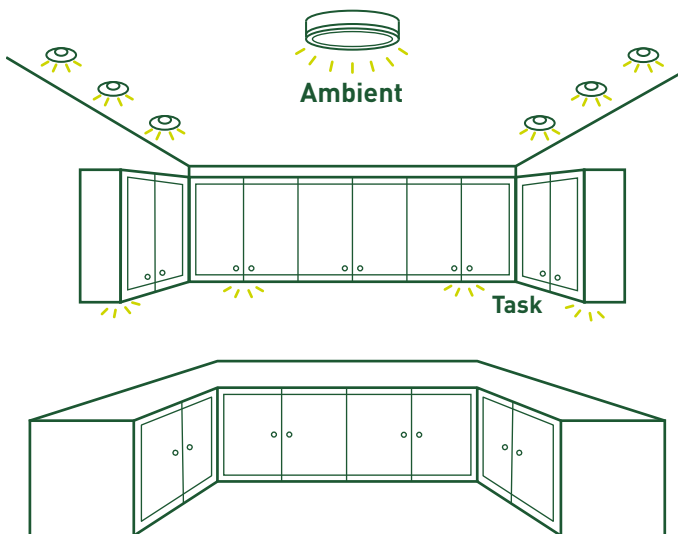
ACCENT LIGHTING

Also commonly called display or highlighting. Accent lighting is typically at a higher intensity to emphasise an object or area. A Ratio of 3:1 versus ambient lighting is recommended for accent lighting to be noticeable.



AMBIENT LIGHTING

The general background illuminance is usually at a low level and with task and/or accent lighting used for the task or display.



AMBIENT TEMPERATURE (TA)

The air temperature surrounding the luminaire or component. LED luminaires are particularly temperature sensitive with excess temperature affecting performance and rated life. See also Junction Temperature.

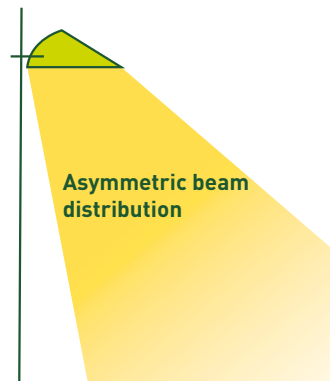


AMPERE (AMP)

The unit for measuring rate of flow of electrical current:
Current (Amps) = Power (Watts) / Voltage (Volts)

ASYMMETRIC LIGHT DISTRIBUTION

Where the distribution of light from a luminaire is not even in one plane. Common in display luminaires such as 'wall washers' where light is directed intentionally in one direction.



AZIMUTH

The 'swivel' angle, as used in floodlighting or display lighting designs and installations.

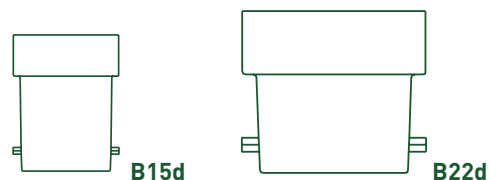


BALLAST LUMEN FACTOR (BLF)

The proportion of light emitted by a luminaire when in emergency mode, usually powered by batteries, compared to the normal mains powered output. BLF figures can be <10% or 0.1 as emergency lighting levels are far lower than those required for normal lighting.

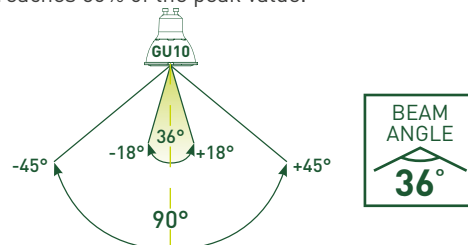
BAYONET CAP (BC)

A common lamp cap found on many lamps in domestic use in the UK. The lamp cap has two small pins that protrude from the base, these are inserted into the lamp holder and lock the lamp in place as it is rotated. B15 and B22 are the most common types.



BEAM ANGLE

Not, as commonly thought, the width or angle of light emitted from the lamp/luminaire. Instead, the point where intensity reaches 50% of the peak value.



GLOSSARY OF TERMS

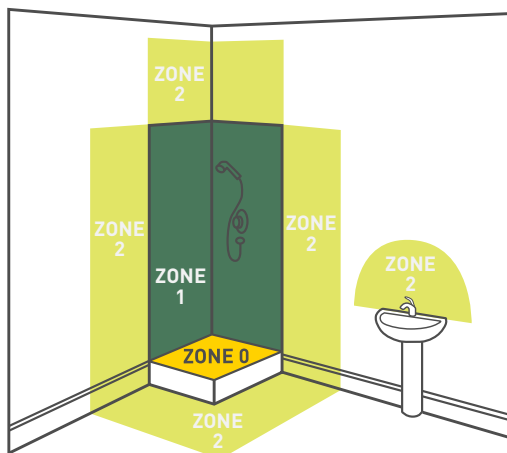
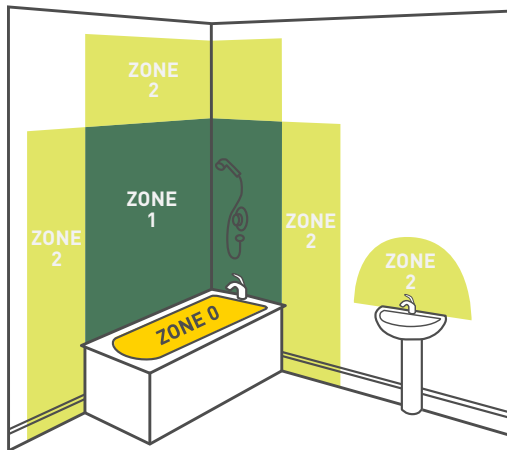
BRIGHTNESS

Whilst brightness is what people see and react to, luminance is the actual surface brightness of an object and is measured in candelas per metre².

BATHROOM ZONES

Bathroom lighting needs to be functional and safe. It is divided into zones where only suitable light fittings should be used.

- **ZONE 0** is inside the bath or shower. Any fitting used in this zone must be low voltage, (max 12v) and rated at least IP67 which is immersion proof.
- **ZONE 1** is the area above the bath to a height of 2.25m from floor. In this zone a minimum rating of IP65 is required.
- **ZONE 2** is the area stretching 0.6m outside the perimeter of the bath and the area between zone 1 and the ceiling upto 3m. Also the area around the wash basin, within a 60cm radius of any tap. In this zone a minimum rating of IP44 is required.



BRITISH BUILDING REGULATIONS

Various building regulations, usually referred to as the approved regulation document letter, exist not only to ensure that buildings are constructed safely but also that materials or equipment installed

is of the current requirement. Various products comply with:

- **DOCUMENT B** - Fire Safety
- **DOCUMENT C** - Resistance to contaminants and moisture
- **DOCUMENT E** - Resistance to sound
- **DOCUMENT L** - Conservation of fuel and power



BRITISH STANDARDS INSTITUTE (BSI)

The national standards organisation is responsible for publication of standards that ensure products are constructed and operated safely and efficiently. Standards are prefixed with BS for a British Standard, EN for a European Standard and BS EN where the European Standard has been adopted as a British Standard. All BG Electrical products are conceived and produced to comply with the relevant standards, key standards for the LED range include:

- **EN 60598-1** - Luminaires - General requirements
- **EN 55015** - Limits and methods of measurement of radio disturbance characteristics of electrical lighting and similar equipment
- **EN 61547** - Equipment for general lighting purposes - EMC immunity requirements
- **EN 61000-3-2** - Electromagnetic compatibility (EMC) - Part 3-2: Limits - Limits for Harmonic current emissions
- **EN 62471** - Photobiological safety of lamps and lamp systems
- **EN 62560** - Self-ballasted LED-lamps for general lighting services by voltage 50 V. Safety specifications
- **EN 61347-1** - Lamp control gear - Part 1: General and safety requirements
- **2002/96/EC** - Waste Electrical & Electronic Equipment (WEEE)
- **2002/95/EC** - Restriction of the use of certain Hazardous Substances in EEE (RoHS)
- **(EC) No 1907/2006** - The Registration, Evaluation, Authorisation and Restriction of Chemicals (REACH)

CANDELA (CD)

The SI unit for luminous intensity.

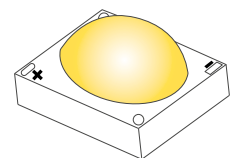
CE

The European Community mark 'Conformité Européenne' signifying all relevant standards and directives have been complied with.



CHIP

The LED Chip is the light source.



CHIP ON BOARD (COB)

Is the latest generation of LED light source. Many small LED chips are incorporated in one packaged light source to provide a more efficient solution that can be combined with a lens and/or reflector to maximise the light distribution.

CLASS I

Class one luminaires require an Earth connection for electrical safety.



GLOSSARY OF TERMS

CLASS II

Class two luminaires do not require an earth connection and are also referred to as double insulated.



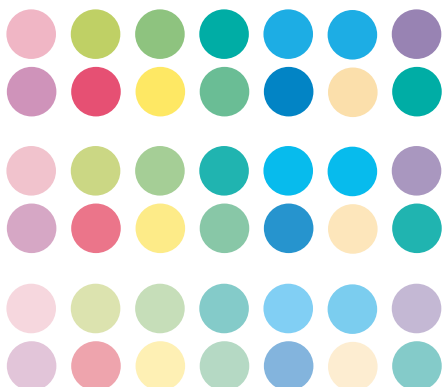
COLOUR APPEARANCE

Term used to describe how 'white' the emitted light looks. Commonly, warm, neutral, cool and daylight are used to categorise.



COLOUR RENDERING INDEX (CRI)

A measure of the degree of colour shift objects undergo when illuminated by the light source as compared with those same objects when illuminated by a reference source of comparable colour temperature. The reference source has a CRI of 100. Natural light (daylight) would also be 100.



**CRI > 90
EXCELLENT**

**CRI > 80
GOOD**

**CRI > 70
POOR**

CORRELATED COLOUR TEMPERATURE (CCT)

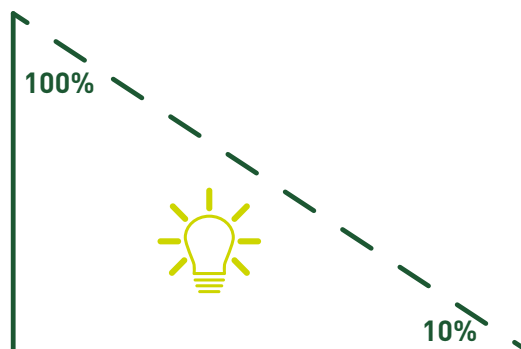
The description used to describe the effect of heating an object until it glows incandescently, the emitted radiation, and apparent colour, changes proportional to the temperature; easily envisioned when considering hot metal in a forge that glows red, then orange, and then white as the temperature increases. Measured in degrees Kelvin.

<3300K	WARM WHITE
3300K - 5300K	NEUTRAL WHITE
>5300K	COOL WHITE



CORRIDOR FUNCTION

Refers to luminaires that when not required to emit 100% light output, switch to 10% output. This 'standby mode' allows the luminaire to provide a low level of illumination for a feeling of security so the area is not totally dark. Upon sensing movement the output automatically and instantly switches to 100%. This is particularly useful in circulation areas such as corridors and stairwells.



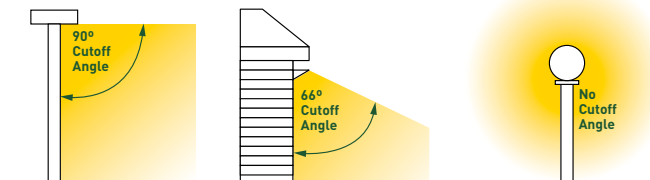
CUT-OUT DIMENSION

Size of hole required to install luminaire.



CUT OFF ANGLE

Small downlights can appear too intense and very glary, so cut off angle illustrates the point where the light source can't be seen.



DALI

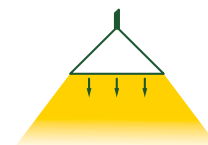
Stands for Digital Addressable Lighting Interface, where each driver and control component such as a sensor or switch has a unique address on the lighting installation. This allows for infinite configuration of the lighting installation and flexibility in the future.

DIMMING

Many Luceco luminaires are available as a dimmable version option. Generally this requires a different driver to the standard fixed output driver and also may require additional wiring on site to operate/control the dimming function.

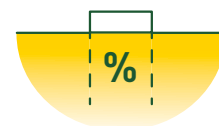
DIRECT LIGHTING

Luminous flux that reaches the working plane without being reflected from walls/ceiling or within the luminaire itself.



DLOR

Downward Light Output Ratio is the percentage of luminous flux output from the lamp/luminaire that is emitted in the 180° angle below horizontal.



GLOSSARY OF TERMS

DOUBLE INSULATION

Also known as Class II, where two levels of insulation (such as two cable coverings) protect live parts from exposure.



DRIVER

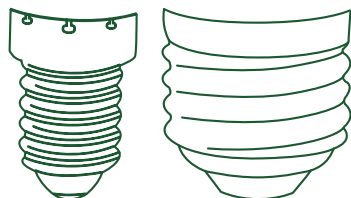
The driver is often the critical component in a LED luminaire or lamp, more so than the LED chip itself. The driver has to be matched to the power requirements of the LED chip and also have quality components. Drivers that use inferior components such as capacitors, will fail before the rated life of the LED chip, reducing the claimed life by as much as 50%.

EDGE LIT

All LuxPanels are edge lit; this means that the LED chips are positioned vertically around the perimeter of the panel. This provides an excellent uniformly illuminated panel in a fixture as slim as 8mm.

EDISON SCREW

A lamp cap that features a screw thread for a positive fit in the lampholder, common sizes include E15 and E27.



E15

E27

EFFICACY

Is the measure of how efficient a lamp or luminaire is. This can be expressed as (source) lumens per watt, which is the normal measure for lamps. Or, as luminaire lumens per circuit watt that is common for luminaires. The figure for luminaires will also include the LOR of the luminaire in the calculation.



EMERGENCY LIGHTING

Is to allow the safe evacuation of an area in the event of a mains failure. The positioning and number of emergency lighting luminaires is detailed in a British Standard, BS5266. It is vital that emergency lighting is maintained correctly to ensure batteries are conditioned so it operates when required.



ESCAPE ROUTE

Emergency lighting along a route such as a corridor or staircase to enable safe evacuation.

FIRE RATED

Where a luminaire is installed in a fire barrier such as into a ceiling, it must have the same resistance to fire rating as that barrier. For domestic installations there are ratings of 30, 60 and 90mins and each limit must be tested for. A 90min rated product does not automatically comply with 30 or 60mins due to the different ceiling constructions. Non domestic applications usually have a fire resistant barrier such as a concrete slab between floors. So, do not have the requirement in many cases.



FLUX / LUMINOUS FLUX

Luminous flux is the measure of the perceived power of light, adjusted to reflect the varying sensitivity of the human eye to different wavelengths of light and is expressed in Lumens (lm).

F MARK

Denotes luminaires that can be mounted on to flammable surfaces as the heat generated will not cause any combustion. Previously luminaires that were suitable had to be marked, but the most recent standard requires only luminaires that don't comply to be marked.

FREQUENCY

Is the rate that the power supply wavelength fluctuates and is measured in Hertz.



GENERAL LIGHTING

Lighting to illuminate the general area without supplementary task lighting.

GLARE

Is difficulty seeing in the presence of bright light such as direct or reflected sunlight or artificial light and is proportional to the background illuminance, a good example is a car headlight that provides glare at night time but not during the day.



GONIOPHOTOMETER

A photometric device for testing the luminous intensity distribution, efficiency, and luminous flux of luminaires.

HEAT SINK

A part of the thermal system that conducts or convects heat away from sensitive components, such as LEDs and electronics.

HERTZ (HZ)

The unit to measure frequency.

HIGH POWER LED

A high power LED, sometimes referred to as a power LED, is one that is driven at a current of 350mA or higher.

HIGH RISK AREA

A requirement in Emergency lighting where a process may require safe shut down or an increased hazard. Higher emergency lighting levels are therefore required local to the risk.



GLOSSARY OF TERMS

INGRESS PROTECTION (IP) RATING

A system that identifies the protection that a lamp or luminaire has against solid objects and water. The first digit being solid object protection and the second one resistance to water. All Luceco products IP20 unless otherwise stated.



PROTECTION AGAINST SOLID FOREIGN OBJECTS		PROTECTION AGAINST HARMFUL INGRESS OF WATER	
IP	TESTS	IP	TEST
0	No protection	0	No protection
1	Full penetration of 50mm diameter of sphere not allowed. Contact with hazardous parts not permitted.	1	Protected against vertically falling drops of water.
2	Full penetration of 12.5mm diameter of sphere not allowed. The jointed test finger shall have adequate clearance from hazardous parts.	2	Protected against vertically falling drops of water with enclosure tilted 15° from the vertical.
3	The access probe of 2.5mm diameter shall not penetrate.	3	Protected against sprays to 60° from the vertical.
4	The access probe of 1mm diameter shall not penetrate.	4	Protected against water splashed from all directions - limited ingress permitted.
5	Limited ingress of dust permitted (no harmful deposit).	5	Protected against low pressure jets of water from all directions - limited ingress permitted.
6	No ingress of dust.	6	Protected against strong jets of water e.g. for use on ship decks - limited ingress permitted.
		7	Protected against the effects of immersion between 150mm and 1m.
		8	Protected against continuous submersion at a specified depth.

IES

Illuminating Engineering Society, an American organisation that provides standards and recommendations. Photometric data files are common in .ies file format.

ILLUMINANCE

The intensity of light falling on a surface area. If the area is measured in square feet, the unit of illuminance is footcandles (fc). If measured in square meters, the unit of illuminance is lux (lx).

INDIRECT LIGHTING

Lighting that is reflected by room surfaces or within the luminaire before falling on to the working area. As a result of reflection it is often lower in intensity and glare.



INITIAL LUMENS

The output up to 100 hours use.

INRUSH CURRENT

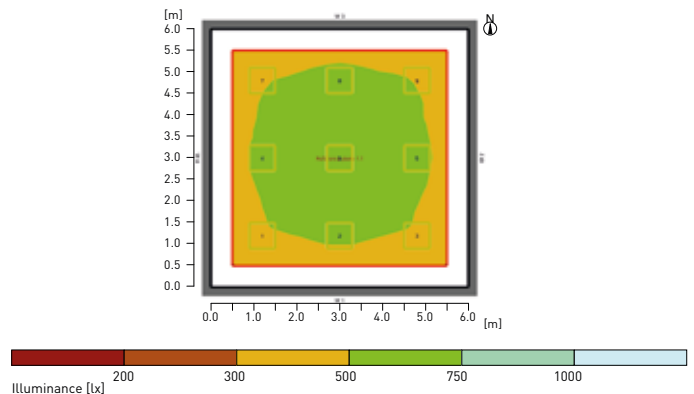
Components such as drivers can have high inrush currents for milliseconds due to the use of capacitors, this should be considered when specifying switching and breaker ratings.

INTEGRATING SPHERE

A device used for a variety of optical, photometric, or radiometric measurements.

ISOLUX DIAGRAM

A graphical representation of common illuminance levels to show lighting levels over a calculated area.



JUNCTION

The point at which the Positive and Negative conductors meet in a LED.

JUNCTION TEMPERATURE

A critical consideration in LED lamp or luminaire design. For every 10°C that the junction temperature exceeds the optimum figure, life of the LED chip is reduced by 50%. Overrunning LEDs by operating at higher amps will cause this to happen.

KELVIN

The SI unit used to measure and denote colour temperature, degrees Kelvin.

kWh

Kilo-Watt-hour is the typical billing unit for electricity costs and represents 1kW of power over a 1 hour duration.

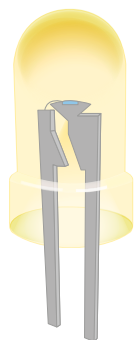
LAMP

A lamp converts electrical power into light and sometimes they are called 'bulbs' due to the traditional lamp shape.



LED

Light Emitting Diode. An LED is a solid-state semiconductor device that converts electrical energy directly into light. On its most basic level, the semiconductor is comprised of two regions. The p-region contains positive electrical charges while the n-region contains negative electrical charges. When voltage is applied and current begins to flow, the electrons move across the n-region into the p-region. The process of an electron moving through the p-n junction releases energy. The dispersion of this energy produces photons with visible wavelengths. Most LEDs emit a blue light as that is the most efficient format, a phosphor coating turns the blue light into the white light required.



LED RATED LIFE

LED chip figures are quoted by the chip manufacturer and in some cases these are not translated when the chip is used in a luminaire where it can run hotter. As heat affects the LED chip, the life can be reduced dramatically.



GLOSSARY OF TERMS

LIGHT OUTPUT RATIO (LOR)

Light Output Ratio is the percentage difference between the luminous flux emitted by the light source and the amount emitted from the fixture it is housed in.

$$\text{LOR} = \frac{\text{LUMEN OUTPUT (Luminaire)}}{\text{LUMEN OUTPUT (Lamp)}}$$

Llm/W

Luminaire lumens per circuit watt is total lumens emitted from the luminaire (source lumens x LOR) / total luminaire wattage including control gear.

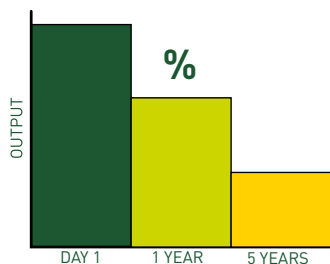


LUMENS (lm)

The international (SI) unit of luminous flux. Lumens will become the measure of light output as watts can not be a reliable measure due to the different efficacy of light sources and the ongoing improvement in LED efficacy through development.

LUMEN DEPRECIATION

Describes the percentage of light lost relative to the initial lumen output. LEDs depreciate at a far slower rate than other light sources, so a LED with a lower initial output can quickly provide more light than a faster depreciating light source.



LUMEN MAINTENANCE

The luminous flux at a given time in the life of the LED. This is expressed as a percentage of the initial luminous flux. This usually determines the rated life of a LED product as the point it should be replaced.

LUMINAIRE

A lighting fixture complete with installed lamps or light source.

LUMINAIRE LUMENS (Llm)

The light emitted from a luminaire will typically differ from the source lumens. This can be from losses within the luminaire housing. Also it is common for LED's to operate at a higher temperature in the luminaire, this can lead to the output increasing when compared to the source (chip) lumens. Luminaire lumens will be Source lumens x LOR.



LUMINAIRE WATTAGE

Is the total of the LED and any control gear included.

LUMINANCE

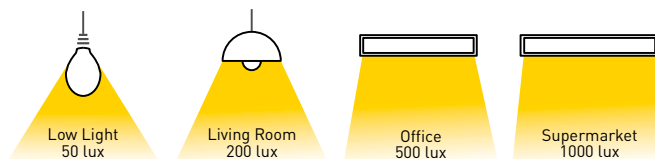
The surface brightness of an object and measured in candelas/m².

LUMINOUS EFFICIENCY

The percentage of total lamp lumens that a lighting fixture, luminaire, or system emits, minus any blocked or wasted light.

LUX (LX)

The SI (International) unit of illuminance, or luminous flux incident on a unit area, frequently defined as one lumen per square metre (lm/m²).

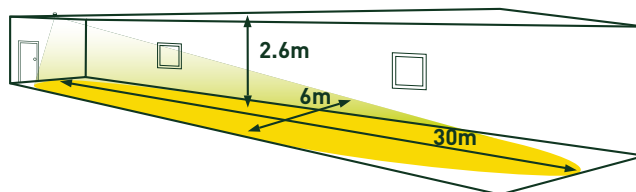


MAINTAINED EMERGENCY

A maintained emergency luminaire is able to be used for both general and emergency lighting, a second live cable allows it to be turned on/off as required and detect a mains power circuit failure.

MICROWAVE SENSOR

The sensor emits low power microwaves that form a pattern in the area covered. When movement disturbs the pattern, movement is detected and the sensor turns the light source on. microwave sensors are only recommended for indoor use as they are sensitive to movement and not heat.



NON-MAINTAINED EMERGENCY

A Non-Maintained emergency luminaire ONLY operates in emergency mode and is not for general lighting.

OPEN AREA

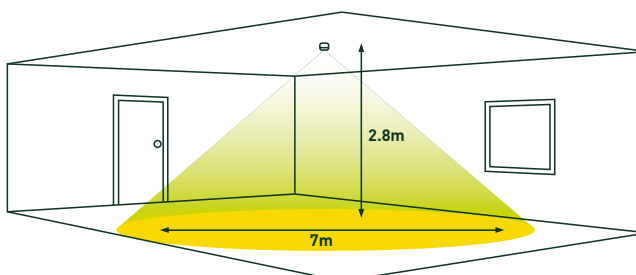
Lighting also called 'anti-panic' area lighting is emergency lighting where not a high risk area or escape route.

ORGANIC LIGHT-EMITTING DIODES (OLED)

Organic light-emitting diodes (OLEDs) are based on organic (carbon based) materials. In contrast to LEDs, which are small point sources, OLEDs are made in sheets which provide a diffuse area light source. OLED technology is developing rapidly and is increasingly used in display applications such as mobile phones and PDA screens. However, OLEDs are still some years away from becoming a practical general illumination source.

PIR

Passive Infra Red sensors detect movement by the change in background temperature as body heat moves into the area.



GLOSSARY OF TERMS

PHOSPHOR

A coating of phosphorescent material which photons from a royal blue LED pass through causing those photons to exit with a different colour property.

PHOTOMETRIC DATA

Is a generic term for light output and distribution data for a lamp or luminaire and can be shown in many formats. Generally data is produced following the IES or ELUMDAT method to provide a .ies or .ldt computer file for use in a lighting design program such as Relux or Dialux. Photometric data is available for a wide selection of Luceco luminaires from our website.

POWER FACTOR

The active power divided by the apparent power (i.e., product of the rms input voltage and rms input current of a driver).



POWER FACTOR CORRECTION

In an electronic device, such as an LED lighting fixture, a system of inductors, capacitors, or voltage converters to adjust the power factor of electronic devices toward the ideal power factor of 1.0.

REACH

Registration, Evaluation, Authorisation & restriction of Chemicals. The EU Directive covering the use of hazardous chemicals used in the manufacturing process and supply of products.

REMOTE LED DRIVER

Some LED lights in our range use a remote plug and play LED Driver, that offers flexibility to select either a fixed output, dimmable driver or emergency versions, with all being interchangeable.

REMOTE PHOSPHOR

A phosphor conversion technique in which photons from a royal blue LED pass through a phosphor material that is not attached to the LED chip.

RoHS

Restriction of Hazardous Substances (2002/95/EC) is an article 95 directive, meaning it is across all European Union member states. Since July 1st 2006 the use of hazardous substances is restricted in products, to prevent environmental harm. The prohibited substances are Lead, Mercury, Cadmium, Hexavalent Chromium, Polybrominated Biphenyls and Polybrominated Diphenyl Ethers. All relevant Luceco products comply.

RoHS

SELF-CONTAINED

The most common type of Emergency lighting luminaire, where all of the components are within one Emergency luminaire. This can include gear boxes connected directly to individual luminaires but outside the main luminaire housing. If within 1m, it is classed as self-contained.

SMDs

Surface-mount LEDs.

SOURCE LUMENS (LM)

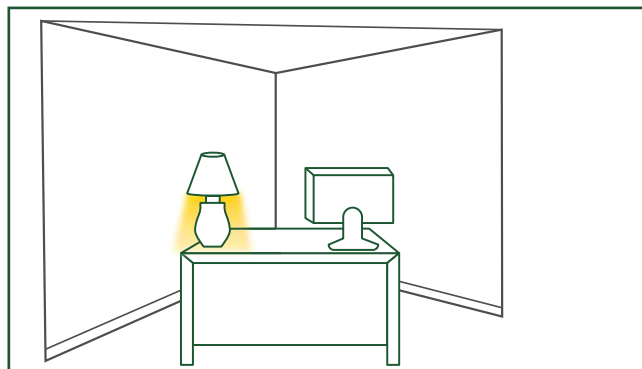
Source or Chip lumens is the output of the LED array and does not allow for any reduction or increase from the luminaire.

SOURCE WATTAGE

Also could be referred to as chip wattage is for the LED only and does not include any control gear.

TASK LIGHTING

Localised lighting intended for a specific task.



THERMAL MANAGEMENT

Controlling the operating temperature of the product through design, examples include heat sinks and improved airflow.

Tp(a)

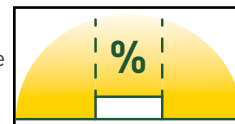
Diffusers used in recessed luminaires are classified in relevance to their resistance to fire and spread of flame. TP(a) is the highest classification but has lower efficacy due to the compromise in light transmittance.

Tp(b)

Diffusers are acceptable for the majority of applications, following the 2013 revision of the building regulations. Approved Document B – Fire Safety: Volume: Building other than dwellinghouses, includes further detail.

ULOR

Upward Light Output Ratio, the percentage of light emitted from a lamp or luminaire above the horizontal plane.



ULTRAVIOLET (UV)

Electromagnetic radiation with wavelength shorter than that of visible light. LEDs emit minimal UV and therefore do not attract insects or potentially damage sensitive materials illuminated by them.



UTILISATION FACTOR

In lighting design, the proportion of the luminous flux emitted by a light source, which reaches the working plane.

VOLTAGE

The term used to describe the electrical potential difference between oppositely charged conductors.

WATTAGE

The power consumed by the LED.



CAT NO.	SECTION	PAGE
LEP66W025IS40	COMMERCIAL/EDUCATION	15
LEP66W025IE40	COMMERCIAL/EDUCATION	15
LEP66W025ID40	COMMERCIAL/EDUCATION	15
LEP66W025IED40	COMMERCIAL/EDUCATION	15
LEP66W025ID40PIR	COMMERCIAL/EDUCATION	15
LEP66W025IED40PIR	COMMERCIAL/EDUCATION	15
LEP66W035IS40	COMMERCIAL/EDUCATION	15
LEP66W035IE40	COMMERCIAL/EDUCATION	15
LEP66W035ID40	COMMERCIAL/EDUCATION	15
LEP66W035IED40	COMMERCIAL/EDUCATION	15
LEP66W035ID40PIR	COMMERCIAL/EDUCATION	15
LEP66W035IED40PIR	COMMERCIAL/EDUCATION	15
LPB66H25S40	COMMERCIAL/EDUCATION	16
LPB66H25D40	COMMERCIAL/EDUCATION	16
LPB66H35S40	COMMERCIAL/EDUCATION	16
LPB66H35D40	COMMERCIAL/EDUCATION	16
LPB312H25S40	COMMERCIAL/EDUCATION	17
LPB312H25D40	COMMERCIAL/EDUCATION	17
LPB312H35S40	COMMERCIAL/EDUCATION	17
LPB312H35D40	COMMERCIAL/EDUCATION	17
LPB612H50S40	COMMERCIAL/EDUCATION	18
LPB612H50D40	COMMERCIAL/EDUCATION	18
LPB612H70S40	COMMERCIAL/EDUCATION	18
LPB612H70D40	COMMERCIAL/EDUCATION	18
LP66W28S40	COMMERCIAL/EDUCATION	19
LP66W28D40	COMMERCIAL/EDUCATION	19
LP66W35S40	COMMERCIAL/EDUCATION	19
LP66W35D40	COMMERCIAL/EDUCATION	19
LP312W28S40	COMMERCIAL/EDUCATION	20
LP312W28D40	COMMERCIAL/EDUCATION	20
LP312W35S40	COMMERCIAL/EDUCATION	20
LP312W35D40	COMMERCIAL/EDUCATION	20
LP612W50S40	COMMERCIAL/EDUCATION	21
LP612W50D40	COMMERCIAL/EDUCATION	21
LPF66W	COMMERCIAL/EDUCATION	22
LPF612W	COMMERCIAL/EDUCATION	22
LPF312W	COMMERCIAL/EDUCATION	22
LPF66SCRF	COMMERCIAL/EDUCATION	22
LWSK415	COMMERCIAL/EDUCATION	22
LED3EP80-OJ	COMMERCIAL/EDUCATION	23
LPS66W28S40	COMMERCIAL/EDUCATION	24
LPS66W28D40	COMMERCIAL/EDUCATION	24
LPS66W35S40	COMMERCIAL/EDUCATION	24
LPS66W35D40	COMMERCIAL/EDUCATION	24
LPS312W28S40	COMMERCIAL/EDUCATION	25
LPS312W28D40	COMMERCIAL/EDUCATION	25
LPS312W35S40	COMMERCIAL/EDUCATION	25
LPS312W35D40	COMMERCIAL/EDUCATION	25
LPS612W50S40	COMMERCIAL/EDUCATION	26
LPS612W50D40	COMMERCIAL/EDUCATION	26
LP240WS40	COMMERCIAL/EDUCATION	27
LP240WD40	COMMERCIAL/EDUCATION	27
LP180WS40	COMMERCIAL/EDUCATION	28
LP180WD40	COMMERCIAL/EDUCATION	28
LP150WS40	COMMERCIAL/EDUCATION	29
LP150WD40	COMMERCIAL/EDUCATION	29
LP120WS40	COMMERCIAL/EDUCATION	30
LP120WD40	COMMERCIAL/EDUCATION	30
LP66IP35S40	COMMERCIAL/EDUCATION	31
LP66IP35D40	COMMERCIAL/EDUCATION	31
LP612IP50S40	COMMERCIAL/EDUCATION	32
LP612IP50D40	COMMERCIAL/EDUCATION	32
LPPIP240WS40	COMMERCIAL/EDUCATION	33
LPPIP240WD40	COMMERCIAL/EDUCATION	33
LPA16W22S40	COMMERCIAL/EDUCATION	37
LPA16W22D40	COMMERCIAL/EDUCATION	37
LPA112W44S40	COMMERCIAL/EDUCATION	37
LPA112W44D40	COMMERCIAL/EDUCATION	37
LAC12P22S40	COMMERCIAL/EDUCATION	38
LAC12P22E40	COMMERCIAL/EDUCATION	38
LAC12P22D40	COMMERCIAL/EDUCATION	38
LAC12P22ED40	COMMERCIAL/EDUCATION	38
LAC12P22S40MW	COMMERCIAL/EDUCATION	38
LAC12P40S40	COMMERCIAL/EDUCATION	38

CAT NO.	SECTION	PAGE
LAC12P40E40	COMMERCIAL/EDUCATION	38
LAC12P40D40	COMMERCIAL/EDUCATION	38
LAC12P40ED40	COMMERCIAL/EDUCATION	38
LAC12P40S40MW	COMMERCIAL/EDUCATION	38
LAC15P32S40	COMMERCIAL/EDUCATION	38
LAC15P32E40	COMMERCIAL/EDUCATION	38
LAC12P22D40	COMMERCIAL/EDUCATION	38
LAC15P32D40	COMMERCIAL/EDUCATION	38
LAC15P32S40MW	COMMERCIAL/EDUCATION	38
LAC15P60S40	COMMERCIAL/EDUCATION	38
LAC15P60E40	COMMERCIAL/EDUCATION	38
LAC15P60D40	COMMERCIAL/EDUCATION	38
LAC15P60ED40	COMMERCIAL/EDUCATION	38
LAC15P60S40MW	COMMERCIAL/EDUCATION	38
LAC18P45S40	COMMERCIAL/EDUCATION	38
LAC18P45E40	COMMERCIAL/EDUCATION	38
LAC18P45D40	COMMERCIAL/EDUCATION	38
LAC18P45ED40	COMMERCIAL/EDUCATION	38
LAC18P45S40MW	COMMERCIAL/EDUCATION	38
LAC18P80S40	COMMERCIAL/EDUCATION	38
LAC18P80E40	COMMERCIAL/EDUCATION	38
LAC18P80D40	COMMERCIAL/EDUCATION	38
LAC18P80ED40	COMMERCIAL/EDUCATION	38
LAC18P80S40MW	COMMERCIAL/EDUCATION	38
LACT12P38S40	COMMERCIAL/EDUCATION	39
LACT12P38E40	COMMERCIAL/EDUCATION	39
LACT15P51S40	COMMERCIAL/EDUCATION	39
LACT15P51E40	COMMERCIAL/EDUCATION	39
LACT18P64S40	COMMERCIAL/EDUCATION	39
LACT18P64E40	COMMERCIAL/EDUCATION	39
LCN12TS	COMMERCIAL/EDUCATION	40
LCN15TS	COMMERCIAL/EDUCATION	40
LCN24TS	COMMERCIAL/EDUCATION	40
LCN30TS	COMMERCIAL/EDUCATION	40
LCN12D40L30	COMMERCIAL/EDUCATION	40
LCN12D40L60	COMMERCIAL/EDUCATION	40
LCN12D40L90	COMMERCIAL/EDUCATION	40
LCN12D40L120	COMMERCIAL/EDUCATION	40
LCN15D40L30	COMMERCIAL/EDUCATION	40
LCN15D40L60	COMMERCIAL/EDUCATION	40
LCN15D40L90	COMMERCIAL/EDUCATION	40
LCN15D40L120	COMMERCIAL/EDUCATION	40
LCNL12D40	COMMERCIAL/EDUCATION	41
LCNL15D40	COMMERCIAL/EDUCATION	41
LCNL12TK	COMMERCIAL/EDUCATION	41
LCNL15TK	COMMERCIAL/EDUCATION	41
LCNLE7	COMMERCIAL/EDUCATION	41
LCNECB	COMMERCIAL/EDUCATION	41
LCNLSUS	COMMERCIAL/EDUCATION	41
LCNLCHS	COMMERCIAL/EDUCATION	41
LLN12W60D40	COMMERCIAL/EDUCATION	42
LLN12W60ED40	COMMERCIAL/EDUCATION	42
LER12W52S40	COMMERCIAL/EDUCATION	43
LER12W52E40	COMMERCIAL/EDUCATION	43
LER12W52D40	COMMERCIAL/EDUCATION	43
LER12W52ED40	COMMERCIAL/EDUCATION	43
LIC312W42S40	COMMERCIAL/EDUCATION	44
LIC312W42D40	COMMERCIAL/EDUCATION	44
LICS24S40	COMMERCIAL/EDUCATION	45
LFR5WH475D40	ACCENT/DISPLAY	51
LFR5PC475D40	ACCENT/DISPLAY	51
LFR5BS475D40	ACCENT/DISPLAY	51
LFR5WH450D27	ACCENT/DISPLAY	51
LFR5PC450D27	ACCENT/DISPLAY	51
LFR5BS450D27	ACCENT/DISPLAY	51
LDP15W11GS40	ACCENT/DISPLAY	52
LDP15W11GD40	ACCENT/DISPLAY	52
LDP15W15GS40	ACCENT/DISPLAY	52
LDP15W15GD40	ACCENT/DISPLAY	52
LDP15W21GS40	ACCENT/DISPLAY	52
LDP15W21GD40	ACCENT/DISPLAY	52
LDP15W11MS40	ACCENT/DISPLAY	52
LDP15W11MD40	ACCENT/DISPLAY	52
LDP15W15MS40	ACCENT/DISPLAY	52

INDEX

CAT NO.	SECTION	PAGE
LDP15W15MD40	ACCENT/DISPLAY	52
LDP15W21MS40	ACCENT/DISPLAY	52
LDP15W21MD40	ACCENT/DISPLAY	52
LDP15BWHM	ACCENT/DISPLAY	53
LDP15BPC	ACCENT/DISPLAY	53
LDP15BBS	ACCENT/DISPLAY	53
LDP15BSQWH	ACCENT/DISPLAY	53
LDP15BSQPC	ACCENT/DISPLAY	53
LDP15BSQBS	ACCENT/DISPLAY	53
LDP15BWHDF	ACCENT/DISPLAY	53
LDP15BPCDF	ACCENT/DISPLAY	53
LDP15BBSDF	ACCENT/DISPLAY	53
LDP15BWHIP	ACCENT/DISPLAY	53
LDP20W32GS40	ACCENT/DISPLAY	54
LDP20W32GD40	ACCENT/DISPLAY	54
LDP20W22GS40	ACCENT/DISPLAY	54
LDP20W22GD40	ACCENT/DISPLAY	54
LDP20W16GS40	ACCENT/DISPLAY	54
LDP20W16GD40	ACCENT/DISPLAY	54
LDP20W12GS40	ACCENT/DISPLAY	54
LDP20W12GD40	ACCENT/DISPLAY	54
LDP20W31MS40	ACCENT/DISPLAY	54
LDP20W31MD40	ACCENT/DISPLAY	54
LDP20W21MS40	ACCENT/DISPLAY	54
LDP20W21MD40	ACCENT/DISPLAY	54
LDP20W15MS40	ACCENT/DISPLAY	54
LDP20W15MD40	ACCENT/DISPLAY	54
LDP20W11MS40	ACCENT/DISPLAY	54
LDP20W11MD40	ACCENT/DISPLAY	54
LDP20BWH	ACCENT/DISPLAY	55
LDP20BPC	ACCENT/DISPLAY	55
LDP20BBS	ACCENT/DISPLAY	55
LDP20WHDH	ACCENT/DISPLAY	55
LDP20WHDF	ACCENT/DISPLAY	55
LDP20PCDH	ACCENT/DISPLAY	55
LDP20PCDF	ACCENT/DISPLAY	55
LDP20BSDH	ACCENT/DISPLAY	55
LDP20BSDF	ACCENT/DISPLAY	55
LDPWHIPF	ACCENT/DISPLAY	55
LDPWHIP	ACCENT/DISPLAY	55
LBDL8S40	ACCENT/DISPLAY	56
LBDL8D40	ACCENT/DISPLAY	56
LBDL6S40	ACCENT/DISPLAY	57
LBDL6D40	ACCENT/DISPLAY	57
LBDL4S40	ACCENT/DISPLAY	58
LBDL4D40	ACCENT/DISPLAY	58
LT1MW3T	ACCENT/DISPLAY	60
LT2MW3T	ACCENT/DISPLAY	60
LTWSK215	ACCENT/DISPLAY	60
LTLEW	ACCENT/DISPLAY	60
LTLEW	ACCENT/DISPLAY	60
LTIMW	ACCENT/DISPLAY	61
LTIEW	ACCENT/DISPLAY	61
LTFCW	ACCENT/DISPLAY	61
LTSCW	ACCENT/DISPLAY	61
LT90W	ACCENT/DISPLAY	61
LT90RW	ACCENT/DISPLAY	61
LTTW	ACCENT/DISPLAY	61
LTTL2W	ACCENT/DISPLAY	61
LTTR1W	ACCENT/DISPLAY	61
LTTR2W	ACCENT/DISPLAY	61
LTXW	ACCENT/DISPLAY	61
LTECW	ACCENT/DISPLAY	61
LTCW20S40	ACCENT/DISPLAY	62
LTCW28S40	ACCENT/DISPLAY	62
LTSW20S40	ACCENT/DISPLAY	63
LTSW28S40	ACCENT/DISPLAY	63
LSSW20S40	ACCENT/DISPLAY	64
LSRW20S40	ACCENT/DISPLAY	65
LSPW20S40	ACCENT/DISPLAY	66
LWCW20S40	ACCENT/DISPLAY	67
LWCW34S40	ACCENT/DISPLAY	67
LMSRW20S40	ACCENT/DISPLAY	68
LMSRW40S40	ACCENT/DISPLAY	68

CAT NO.	SECTION	PAGE
LUCL300CW	ACCENT/DISPLAY	70
LUCL300WW	ACCENT/DISPLAY	70
LUCL500CW	ACCENT/DISPLAY	70
LUCL500WW	ACCENT/DISPLAY	70
LUCLACCL	ACCENT/DISPLAY	71
LUCLACSC	ACCENT/DISPLAY	71
LUCLAC90	ACCENT/DISPLAY	71
LUCLACSW	ACCENT/DISPLAY	71
LUCLACPIR	ACCENT/DISPLAY	71
LBC13S40	AMBIENT/AMENITY	75
LBC13E40	AMBIENT/AMENITY	75
LBC13S40MW	AMBIENT/AMENITY	75
LBC13D40	AMBIENT/AMENITY	75
LBC13ED40	AMBIENT/AMENITY	75
LBC13D40MW	AMBIENT/AMENITY	75
LBC13ED40MW	AMBIENT/AMENITY	75
LBC22S40	AMBIENT/AMENITY	75
LBC22E40	AMBIENT/AMENITY	75
LBC22S40MW	AMBIENT/AMENITY	75
LBC22D40	AMBIENT/AMENITY	75
LBC22ED40	AMBIENT/AMENITY	75
LBC22D40MW	AMBIENT/AMENITY	75
LBC22ED40MW	AMBIENT/AMENITY	75
LBC32S40	AMBIENT/AMENITY	75
LBC32E40	AMBIENT/AMENITY	75
LBC32S40MW	AMBIENT/AMENITY	75
LBC32D40	AMBIENT/AMENITY	75
LBC32ED40	AMBIENT/AMENITY	75
LBC32D40MW	AMBIENT/AMENITY	75
LBC32ED40MW	AMBIENT/AMENITY	75
LBCTBS	AMBIENT/AMENITY	75
LBCTPC	AMBIENT/AMENITY	75
LBCWSK315	AMBIENT/AMENITY	75
LBCHIRE	AMBIENT/AMENITY	75
LBCHIGR	AMBIENT/AMENITY	75
LBCHIYE	AMBIENT/AMENITY	75
LBCHIBL	AMBIENT/AMENITY	75
LBM290B11S40	AMBIENT/AMENITY	76
LBM290B11S40MW	AMBIENT/AMENITY	76
LBM290B11E40	AMBIENT/AMENITY	76
LBM290B11E40MW	AMBIENT/AMENITY	76
LBM290W11S40	AMBIENT/AMENITY	76
LBM290W11S40MW	AMBIENT/AMENITY	76
LBM290W11E40	AMBIENT/AMENITY	76
LBM290W11E40MW	AMBIENT/AMENITY	76
LBM200B7S40	AMBIENT/AMENITY	76
LBM200W7S40	AMBIENT/AMENITY	76
LBM33B11S40	AMBIENT/AMENITY	77
LBM33B11S40MW	AMBIENT/AMENITY	77
LBM33B11E40	AMBIENT/AMENITY	77
LBM33B11E40MW	AMBIENT/AMENITY	77
LBM33W11S40	AMBIENT/AMENITY	77
LBM33W11S40MW	AMBIENT/AMENITY	77
LBM33W11E40	AMBIENT/AMENITY	77
LBM33W11E40MW	AMBIENT/AMENITY	77
LBM22B7S40	AMBIENT/AMENITY	77
LBM22W7S40	AMBIENT/AMENITY	77
LBF13L40	AMBIENT/AMENITY	78
LBF13L40MW	AMBIENT/AMENITY	78
LBF13E40	AMBIENT/AMENITY	78
LBF13E40MW	AMBIENT/AMENITY	78
LBF21L40	AMBIENT/AMENITY	78
LBF21L40MW	AMBIENT/AMENITY	78
LBF21E40	AMBIENT/AMENITY	78
LBF21E40MW	AMBIENT/AMENITY	78
LBH154K	AMBIENT/AMENITY	79
LBH154K3M	AMBIENT/AMENITY	79
LBH154KMW	AMBIENT/AMENITY	79
LBH154KMW3M	AMBIENT/AMENITY	79
LBH214K	AMBIENT/AMENITY	79
LBH214K3M	AMBIENT/AMENITY	79
LBH214KMW	AMBIENT/AMENITY	79
LBH214KMW3M	AMBIENT/AMENITY	79
LBH154APE	AMBIENT/AMENITY	79

CAT NO.	SECTION	PAGE
LLBW11S40	INDUSTRIAL	83
LLBW11E40	INDUSTRIAL	83
LLBW16S40	INDUSTRIAL	83
LLBW16E40	INDUSTRIAL	83
LLBW21S40	INDUSTRIAL	83
LLBW21E40	INDUSTRIAL	83
LLBN11S40	INDUSTRIAL	83
LLBN11E40	INDUSTRIAL	83
LLBN16S40	INDUSTRIAL	83
LLBN16E40	INDUSTRIAL	83
LLBN21S40	INDUSTRIAL	83
LLBN21E40	INDUSTRIAL	83
LLBXDIFF	INDUSTRIAL	83
LLBXWIRE	INDUSTRIAL	83
LHBC11S60	INDUSTRIAL	84
LHBC11E60	INDUSTRIAL	84
LHBC22S60	INDUSTRIAL	84
LHBC22E60	INDUSTRIAL	84
LHBC11S90	INDUSTRIAL	84
LHBC11E90	INDUSTRIAL	84
LHBC22S90	INDUSTRIAL	84
LHBC22E90	INDUSTRIAL	84
LHBC11S120	INDUSTRIAL	84
LHBC11E120	INDUSTRIAL	84
LHBC22S120	INDUSTRIAL	84
LHBC22E120	INDUSTRIAL	84
LHBCX11D60	INDUSTRIAL	85
LHBCX11DED60	INDUSTRIAL	85
LHBCX16D60	INDUSTRIAL	85
LHBCX22D60	INDUSTRIAL	85
LHBCX22DED60	INDUSTRIAL	85
LHBCX27D60	INDUSTRIAL	85
LHBCX11D90	INDUSTRIAL	85
LHBCX11DED90	INDUSTRIAL	85
LHBCX16D90	INDUSTRIAL	85
LHBCX22D90	INDUSTRIAL	85
LHBCX22DED90	INDUSTRIAL	85
LHBCX27D90	INDUSTRIAL	85
LHBCX11D120	INDUSTRIAL	85
LHBCX11DED120	INDUSTRIAL	85
LHBCX16D120	INDUSTRIAL	85
LHBCX22D120	INDUSTRIAL	85
LHBCX22DED120	INDUSTRIAL	85
LHBCX27D120	INDUSTRIAL	85
LHB120W	INDUSTRIAL	86
LHB200W	INDUSTRIAL	86
LHBRFL60	INDUSTRIAL	87
LHBRFT	INDUSTRIAL	87
LHBRFL90	INDUSTRIAL	87
LHOL95S40	INDUSTRIAL	89
LHOL115S40	INDUSTRIAL	89
LCL12W22S40	INDUSTRIAL	90
LCL12W22E40	INDUSTRIAL	90
LCL12W22D40	INDUSTRIAL	90
LCL12W22ED40	INDUSTRIAL	90
LCL12W22S40MW	INDUSTRIAL	90
LCL12W22D40MW	INDUSTRIAL	90
LCL15W34S40	INDUSTRIAL	90
LCL15W34E40	INDUSTRIAL	90
LCL15W34D40	INDUSTRIAL	90
LCL15W34ED40	INDUSTRIAL	90
LCL15W34S40MW	INDUSTRIAL	90
LCL15W34D40MW	INDUSTRIAL	90
LCL18W44S40	INDUSTRIAL	90
LCL18W44E40	INDUSTRIAL	90
LCL18W44D40	INDUSTRIAL	90
LCL18W44ED40	INDUSTRIAL	90
LCL18W44S40MW	INDUSTRIAL	90
LCL18W44D40MW	INDUSTRIAL	90
LCL12W44S40	INDUSTRIAL	91
LCL12W44E40	INDUSTRIAL	91
LCL12W44D40	INDUSTRIAL	91
LCL12W44ED40	INDUSTRIAL	91
LCL12W44S40MW	INDUSTRIAL	91

CAT NO.	SECTION	PAGE
LCL12W44D40MW	INDUSTRIAL	91
LCL15W66S40	INDUSTRIAL	91
LCL15W66E40	INDUSTRIAL	91
LCL15W66D40	INDUSTRIAL	91
LCL15W66ED40	INDUSTRIAL	91
LCL15W66S40MW	INDUSTRIAL	91
LCL15W66D40MW	INDUSTRIAL	91
LCL18W87S40	INDUSTRIAL	91
LCL18W87E40	INDUSTRIAL	91
LCL18W87D40	INDUSTRIAL	91
LCL18W87ED40	INDUSTRIAL	91
LCL18W87S40MW	INDUSTRIAL	91
LCL18W87D40MW	INDUSTRIAL	91
LCL12022S40	INDUSTRIAL	92
LCL12022E40	INDUSTRIAL	92
LCL12022D40	INDUSTRIAL	92
LCL12022ED40	INDUSTRIAL	92
LCL12022S40MW	INDUSTRIAL	92
LCL12022E40MW	INDUSTRIAL	92
LCL12022D40MW	INDUSTRIAL	92
LCL12022ED40MW	INDUSTRIAL	92
LCL15034S40	INDUSTRIAL	92
LCL15034E40	INDUSTRIAL	92
LCL15034D40	INDUSTRIAL	92
LCL15034ED40	INDUSTRIAL	92
LCL15034S40MW	INDUSTRIAL	92
LCL15034E40MW	INDUSTRIAL	92
LCL15034D40MW	INDUSTRIAL	92
LCL15034ED40MW	INDUSTRIAL	92
LCL18044S40	INDUSTRIAL	92
LCL18044E40	INDUSTRIAL	92
LCL18044D40	INDUSTRIAL	92
LCL18044ED40	INDUSTRIAL	92
LCL18044S40MW	INDUSTRIAL	92
LCL18044E40MW	INDUSTRIAL	92
LCL18044D40MW	INDUSTRIAL	92
LCL18044ED40MW	INDUSTRIAL	92
LCL12044S40	INDUSTRIAL	93
LCL12044E40	INDUSTRIAL	93
LCL12044D40	INDUSTRIAL	93
LCL12044ED40	INDUSTRIAL	93
LCL12044S40MW	INDUSTRIAL	93
LCL12044E40MW	INDUSTRIAL	93
LCL12044D40MW	INDUSTRIAL	93
LCL12044ED40MW	INDUSTRIAL	93
LCL15066S40	INDUSTRIAL	93
LCL15066E40	INDUSTRIAL	93
LCL15066D40	INDUSTRIAL	93
LCL15066ED40	INDUSTRIAL	93
LCL15066S40MW	INDUSTRIAL	93
LCL15066E40MW	INDUSTRIAL	93
LCL15066D40MW	INDUSTRIAL	93
LCL15066ED40MW	INDUSTRIAL	93
LCL18087S40	INDUSTRIAL	93
LCL18087E40	INDUSTRIAL	93
LCL18087D40	INDUSTRIAL	93
LCL18087ED40	INDUSTRIAL	93
LCL18087S40MW	INDUSTRIAL	93
LCL18087E40MW	INDUSTRIAL	93
LCL18087D40MW	INDUSTRIAL	93
LCL18087ED40MW	INDUSTRIAL	93
LCLT12W21S40	INDUSTRIAL	94
LCLT12W21E40	INDUSTRIAL	94
LCLT15W28S40	INDUSTRIAL	94
LCLT15W28E40	INDUSTRIAL	94
LCLT18W35S40	INDUSTRIAL	94
LCLT18W35E40	INDUSTRIAL	94
LCLT12W43S40	INDUSTRIAL	95
LCLT12W43E40	INDUSTRIAL	95
LCLT15W57S40	INDUSTRIAL	95
LCLT15W57E40	INDUSTRIAL	95
LCLT18W71S40	INDUSTRIAL	95
LCLT18W71E40	INDUSTRIAL	95
LXB12W25L40	INDUSTRIAL	96

INDEX

CAT NO.	SECTION	PAGE
LXB12W25EL40	INDUSTRIAL	96
LXB12W48L40	INDUSTRIAL	96
LXB12W48EL40	INDUSTRIAL	96
LXB15W38L40	INDUSTRIAL	96
LXB15W38EL40	INDUSTRIAL	96
LXB15W72L40	INDUSTRIAL	96
LXB15W72EL40	INDUSTRIAL	96
LXB18W48L40	INDUSTRIAL	96
LXB18W48EL40	INDUSTRIAL	96
LXB18W92L40	INDUSTRIAL	96
LXB18W92EL40	INDUSTRIAL	96
LXB12R28L40	INDUSTRIAL	97
LXB12R28EL40	INDUSTRIAL	97
LXB12R53L40	INDUSTRIAL	97
LXB12R53EL40	INDUSTRIAL	97
LXB15R42L40	INDUSTRIAL	97
LXB15R42EL40	INDUSTRIAL	97
LXB15R79L40	INDUSTRIAL	97
LXB15R79EL40	INDUSTRIAL	97
LXB18R53L40	INDUSTRIAL	97
LXB18R53EL40	INDUSTRIAL	97
LXB18R98L40	INDUSTRIAL	97
LXB18R98EL40	INDUSTRIAL	97
LEMEXM3	EMERGENCY	103
LEMEXUA	EMERGENCY	103
LEMEXLA	EMERGENCY	103
LEMEXRA	EMERGENCY	103
LEMDEM3	EMERGENCY	104
LEMDEM3UA	EMERGENCY	104
LEMDEM3LA	EMERGENCY	104
LEMDEM3RA	EMERGENCY	104
LEMBHM3	EMERGENCY	105
LEM5DLNM3	EMERGENCY	106
LEMIPTWNM3	EMERGENCY	107
LEMEXM3LG	EMERGENCY	108
LEMEXM3LST	EMERGENCY	108
LEMEXM3LDA	EMERGENCY	108
LEMDEMELG	EMERGENCY	109
LEMDEMEST	EMERGENCY	109
LEMDEMEDA	EMERGENCY	109
LEMREMELG	EMERGENCY	110
LEMREMEST	EMERGENCY	110
LEMREMEDA	EMERGENCY	110
LEMBHM3LG	EMERGENCY	111
LEMBHM3ST	EMERGENCY	111
LEMBHM3DA	EMERGENCY	111
LEM6DLM3LG	EMERGENCY	112
LEM8DLM3ST	EMERGENCY	112
LEM6DLM3DA	EMERGENCY	112
LEM2DLNM3LG	EMERGENCY	112
LEM6DLM3WA	EMERGENCY	113
LEM8DLM3WS	EMERGENCY	113
LEM6DLM3WD	EMERGENCY	113
LEM2DLNM3WA	EMERGENCY	113
LEM6DLM3CA	EMERGENCY	114
LEM8DLM3CS	EMERGENCY	114
LEM6DLM3CD	EMERGENCY	114
LEM2DLNM3CA	EMERGENCY	114
LBH154K	OUTDOOR	119
LBH154K3M	OUTDOOR	119
LBH154KMW	OUTDOOR	119
LBH154KMW3M	OUTDOOR	119
LBH214K	OUTDOOR	119
LBH214K3M	OUTDOOR	119
LBH214KMW	OUTDOOR	119
LBH214KMW3M	OUTDOOR	119
LBH154AME	OUTDOOR	120
LBH154AMG	OUTDOOR	120
LBH154AMP	OUTDOOR	120
LBH154AMS	OUTDOOR	120
LBH154APE	OUTDOOR	120
LBF13L40	OUTDOOR	122
LBF13L40MW	OUTDOOR	122
LBF13E40	OUTDOOR	122

CAT NO.	SECTION	PAGE
LBF13E40MW	OUTDOOR	122
LBF21L40	OUTDOOR	122
LBF21L40MW	OUTDOOR	122
LBF21E40	OUTDOOR	122
LBF21E40MW	OUTDOOR	122
LWF40S40	OUTDOOR	123
LWF40S40PC	OUTDOOR	123
LWF40E40	OUTDOOR	123
LWF40E40PC	OUTDOOR	123
LFP50B140F	OUTDOOR	124
LFPL50B140F	OUTDOOR	124
LFP100B140F	OUTDOOR	125
LFPL100B140F	OUTDOOR	125
LFP160B140F	OUTDOOR	126
LFPL160B140F	OUTDOOR	126
LCSFL60S15	OUTDOOR	128
LCSFL60S30	OUTDOOR	128
LCSFL60S60	OUTDOOR	128
LCSFL120S15	OUTDOOR	129
LCSFL120S30	OUTDOOR	129
LCSFL120S60	OUTDOOR	129
LEAMBU1F50	OUTDOOR	130
LEAMBU4F50	OUTDOOR	130
LEAMBU12A50	OUTDOOR	131
LEAR42550	OUTDOOR	132
LEAR82550	OUTDOOR	132
LEAMPT30C50	OUTDOOR	133
LEAMPT30G50	OUTDOOR	134
LEAMPT62V50	OUTDOOR	135
LEAMPT55D50	OUTDOOR	136
LES RTP59R50	OUTDOOR	137
LES RTB50R50	OUTDOOR	138
LEABD17B40	OUTDOOR	139
LEABF6B40	OUTDOOR	140
LEABWF6B40	OUTDOOR	141
LEAWS17B40	OUTDOOR	142
LEAWL38B40	OUTDOOR	142
LCRW12S40	OUTDOOR	143
LCRW17S40	OUTDOOR	143
LPCMPIRM	LIGHTING CONTROLS	147
LPCMPIRDSI	LIGHTING CONTROLS	147
LPCLRBOX	LIGHTING CONTROLS	147
LPCLRPIRM	LIGHTING CONTROLS	148
LPCLRPIRDSI	LIGHTING CONTROLS	148
LPCLRRCBOX	LIGHTING CONTROLS	148
LPCMHPIRM65	LIGHTING CONTROLS	149
LPCMHPIRDSI65	LIGHTING CONTROLS	149
LPC SMP66	LIGHTING CONTROLS	150
LPC3BSP65	LIGHTING CONTROLS	151
LPC3BDP65	LIGHTING CONTROLS	151
LPCUHC	LIGHTING CONTROLS	151
LPCUSER	LIGHTING CONTROLS	151

	PAGE		PAGE
A			
Academy	38-39	E	
-Academy Clear Prism	39	Edgelit Framed	19-21
-Academy Opal Prism	38	Emergency	102-117
Accent/Display	50-73	Emergency Pack	23, 115
Accent/Display Specification	72-73	Emergency Specification	116
Adjustable Buried	131	ENEC Testing	10
Adjustable Microwave	148	Enhanced Capital Allowance	8
Ambient/Amenity	74-81	Epsilon	15
Ambient/Amenity Specification	80-81	Exit Box	103, 108
Architectural Spot	132	F	
Architectural Wall	142	Fixed Buried	130
Atlas	79, 119-120	Floodlights	124-129
Atom	51	-Guardian Pro	124-127
B			
Backlit Frameless LuxPanel	16-18	-Stadium	128-129
Batten Mount PIR	149	Fortis	78, 122
BIM	10	Fortis Wallpack	123
Bollards	137-138	G	
-Commercial	139	Glossary of Terms	152-158
-Decorative	140	Guardian Pro	124-127
Bulkheads	119-123	H	
-Atlas	119-120	Hanging Blade	107
-Fortis	122	High Ceiling Mounted PIR	147
-Mosi Round	76	I	
-Mosi Square	77	Ice Circular	45
C			
Carbon	56-58	Ice Linear	44
Carbon Trust	8	Indus	89
Ceiling Compatibility Matrix	34-35	Industrial	82-99
Ceiling/Wall Mounted Microwave	148	Industrial Specification	96-98
Celeste	75	Introduction	6
Ceres	84	IP65 Bulkhead Emergency	105 & 111
Ceres Extra	85	IP65 Edgelit Framed LuxPanel	31-33
Circular Edgelit	27-30	IP65 Twin-Spot Emergency	107
Circular Pendant	66	L	
Circular Spotlight Surface Mounted	64	Lanterns	133-138
Climate	90-95	Leren	43
-Climate LED Array Single	90	Lighting Controls	146-151
-Climate LED Array Twin	91	Lighting Design & Technical Support	10
-Climate Extra Array Single	92	Lighting Industry Association	9
-Climate Extra Array Twin	92	Linea	42
-Climate T8 Single	92	Low Profile PIR	147
-Climate T8 Twin	93	Luxbay	83
Commercial/Education	14-49	Luxpack Batten	96-97
Commercial/Education Specification	46-49	-Narrow Clear Lens	96
Contech	40	-Wide Opal Lens	97
-Contech Trunking System	41	Luxpanel Asymmetric	37
Contents	2,3,& 4	Luxpanels	16-33
D			
Decorative	140	-Backlit Frameless	16-18
Decorative Exit	104	-Edgelit Framed	19-21
Decorative Wall	141	-Surface Mounting Frame	22
Downlight	106	-Recess Frame	22
Downlight Emergency	112	-Wire Suspension Kit	22
Downlights	51-58	-Emergency Pack	23
-Atom	51	-Surface Modular	24-26
-Platinum Mini	52-53	-Circular Edgelit	27-30
-Platinum	54-55	-IP65 Edgelit Framed	31-33
-Carbon	56-58	-Luxpanel Asymmetric	37

INDEX

	PAGE
M	
Mosi Round	76
Mosi Square	77
O	
Office Lighting Compliant	13
Outdoor	118-145
Outdoor Specification	144-145
P	
Platinum	54-55
Platinum Mini	52-53
Post Top Amenity	133-136
Post Top Road Lantern	137-138
Presence/Absence Detectors	147-151
Pullout Spotlight Recessed	65
R	
Recess Frame	22
Recessed Blade Emergency	110
Remote Control	151
Remote Downlight	113
Remote Downlight, Linear Distribution	114
S	
Spotlights	62-65
-Trackspot Circular	62
-Trackspot Square	63
-Circular Spotlight Surface Mounted	64
Pullout Spotlight Recessed	65
Square Modules Recessed Downlight	68
Stadium Floodlights	128-129
Surface Modular LuxPanel	24-26
Surface Mounting LuxPanel Frame	22
T	
Taska Under Cabinet	70-71
Titan Highbay	86-87
Trackspot Circular	62
Trackspot Square	63
U	
Uplights	130-131
-Fixed Buried	130
-Adjustable Buried	131
W	
Wallwasher Recessed	67
Warranty	13
Wire Suspension Kit	22
3 Circuit Track & Accessories	60-61

NOTES

NOTES



UK:**HEAD OFFICE:**

Email: info@luceco.com
Luceco plc, Caparo House
103 Baker Street, London
England, W1U 6LN

DISTRIBUTION CENTRE:

Tel: +44 (0) 1952 238 100
Email: uk_sales@luceco.com
Luceco plc
Luceco Distribution Centre
Stafford Park 1, Telford
Shropshire, England, TF3 3BD

GERMANY:

Tel: +49 40 89066 878 - 0
Email: eu_sales@luceco.com
Luceco GmbH
Holstenplatz 20b
22765 Hamburg, Germany

FRANCE:

Tel: +33 (0)1 61 10 10 35
Email: fr_sales@luceco.com
Luceco SAS France & Belux
3 Rue de Courtalin
Magny Le Hongre 77700
Paris, France

ITALY:

Tel: +39 0434 1696795
Email: it_sales@luceco.com
Nexus Italia, Via Amman 10
33170 Pordenone, Italy

SPAIN:

Tel: +34 93 829 55 75
Email: es_sales@luceco.com
Nexus Industries LTD
C/ Bobinadora 1-5
08302 Mataró
Barcelona (SPAIN)

MIDDLE EAST:

Tel: +971 4 609 1867
Email: mea_sales@luceco.com
Luceco Middle East FZCO
Bldg. 5EB, Office 342
PO Box 371128, DAFZA
Dubai, UAE

ASIA PACIFIC:**JIAXING:**

Tel: +86 (0) 573 8357 0200
Email: asia_sales@luceco.com
No 1438, Jiachuang Road
Xiuzhou Industrial Park, Jiaxing
Zhejiang, China, P.C. 314031

HONG KONG:

Tel: +852 3520 2622
Email: hk_sales@luceco.com
Luceco (Hong Kong) plc
Unit D, 15th Floor MG Tower
133 Hoi Bun Road
Kwun Tong, Kowloon
Hong Kong

UNITED STATES:

Tel: +1 281 978 2509
Email: us_sales@luceco.com
Luceco Inc, 11050 W Little York Road
Building C-2, Houston, TX 77041, USA

MEXICO & LATIN AMERICA:

Tel: +52 (81) 5000 9437
Email: ventas@luceco.com
Luceco México S. de R.L. de C.V.
Batallón de San Patricio #109 Sur, Col.
Valle Oriente, San Pedro Garza García
N.L. México CP 66260
(Torre Avalanz, Piso #20, Oficina 2009)

AFRICA:

Tel: +27 11 432 6779
Email: africa_sales@luceco.com
Unit 2, Cedarwood Office Park
Cnr. Western Service and
Mount Lebanon Road, Woodmead
South Africa, 2144

TECHNICAL SUPPORT:

Tel: 0330 0249 279
Email: technical@luceco.com
Lines open Monday to Friday
8.30am to 5pm, with answer
phone service outside these hours.



www.luceco.com