



Intelligent Lighting

VOLUME 5



www.saturnled.eu



Volume 5 of the Saturnled Catalogue

With our constant drive for evolution and innovation our catalogue has been extended to include a new range of lighting solutions.

Volume 5 proves that we listen to the industry and react to meet their needs. We have added a whole host of new products to our list of popular LED solutions.

We also continue to deliver the highest possible standards, with fast and efficient service and high-quality products. Our distribution centres in Northern Ireland and England and a positive new distribution partner, ensure total flexibility to provide direct to your door deliveries in a timely fashion.

This is part of the superb, all-around approach to customer service that we have developed to perfectly merge the integral factors of price, quality and service into one cohesive philosophy.

We are confident that you will find the LED solutions you need and look forward to working with you.

Mark O'Connor,
Managing Director



INDEX

EASILITE



6-7

WAVE STREET LIGHTS



8-11

PRINCE STREET LIGHTS



12-13

APOLLO STREET LIGHTS



14-15

SPHERE STREET LIGHTS



16-17

FILO BULKHEAD



18-19

CRYSTAL SLIMLINE BULKHEAD



20-21

CLUB BULKHEAD



22-23

COBRA AND KING COBRA BULKHEADS



24-29

VIPER BULKHEAD



30-33

VITO DIECAST BULKHEAD



34-35

ASH BULKHEAD



36-37

MILAN BULKHEAD



38-39

JACOB BULKHEAD



40-41

HALO BULKHEAD



42-43

NEMO BATHROOM BULKHEAD



44-45

DIAMOND DOWNLIGHTS



46-47

RUBY SLIMLINE DOWNLIGHTS



48-49

BONO DOWNLIGHTS



50-51

EMERALD DOWNLIGHTS



52-53

JETTO DISPLAY LIGHTING



54-55

JETTO DISPLAY LIGHTING



56-57

WINSTON SURFACE CYLINDER



58-59

CYCLONE LED PANEL



60-61

MARS BACKLIT LED PANEL



62-63

CLARITY LED TROFFER



64-65

INFINITY LED TROFFER



66-67

AXIS LED FIRE RATED DOWNLIGHT



68-69

AXIS GU10 FIRE RATED DOWNLIGHT



70-71

ANTI GLARE LED DOWNLIGHT



72-73

EVO LED DOWNLIGHT



74-75

NYLA LED STRIPLIGHT



76-77

UNI CURVE LUMINAIRE



78-79

PRINCIPAL SPORTS HALL LOWBAYS



80-81

DYNAMO LED BATTENS



82-83

BREEN LED LIGHTING



84-85

INTACT LED LIGHTING



86-87

ECLIPSE LED LIGHTING



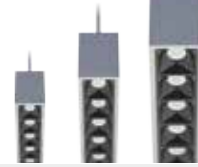
88-89

TAO ONE, TWO, THREE



90-95

STATUS ONE, TWO, THREE



96-101

BRUNO LINKABLE



102-103

ASTRO LED LINK LIGHTS



104-105

SALFORD DESK LIGHT



106-107

SATURN SHAVER BATHROOM LIGHT



108-109

HARMONY BESPOKE LIGHTING



110-111

HARMONY BESPOKE LIGHTING



112-113

HARMONY BEDSIDE LIGHT



114-115

HARMONY BEDSIDE LIGHT



116-117

ICE SLIMLINE LED FLOODLIGHTS



118-123

EDGE DIECAST LED FLOODLIGHT



124-125

HERCULES LED STADIUM FLOODLIGHTS



126-127

INVICTUS HIGHBAY WAREHOUSE



128-129

VECTOR LED LOWBAY



130-131

GLADIATOR LED CORRISON PROOF



132-133

HUNTER LED CORRISON PROOF



134-135

NAVY EXTERIOR LIGHTING



136-137

NAVY WALKOVER AND BRICK



138-139

IMPACT EXTERIOR LIGHTING



140-141

IMPACT EXTERIOR LIGHTING



142-143

IMPACT EXTERIOR LIGHTING



144-145

FLYNN EXTERIOR BOLLARD



146-147

ZIO EXTERIOR BOLLARD



148-149

DEVO EXTERIOR BOLLARD



150-151

WARRIOR LED WALL PACK



152-153

PHOENIX EMERGENCY LIGHTING



154-159

PHOENIX EMERGENCY LIGHTING TWINSPOT



160-161

PHOENIX EMERGENCY LIGHTING BULKHEAD



162-163

PHOENIX EMERGENCY LIGHTING DOWNLIGHT



164-165

PHOENIX EMERGENCY LIGHTING DOWNLIGHT



166-167

PHOENIX EMERGENCY LIGHTING DOWNLIGHT



168-169

LIGHTING ACCESSORIES



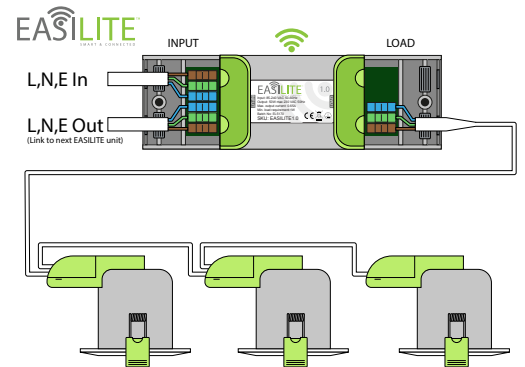
170-171

EASILITE™

SMART & CONNECTED

BLUETOOTH CONTROLLABLE DIMMER

Easilite 1.0 is an easy-to-install lighting module that transforms existing lighting into a smart lighting system that is controlled by a smart device through Bluetooth connectivity.



PRODUCT CODE

DESCRIPTION

EASILITE1.0

EASILITE BLUETOOTH DIMMER





THE NUMBERS

EASILITE™
SMART & CONNECTED

EasiliteV1.0

Dimming method
Trailing-edge phase control

Input

85-240 VAC 50-60 HZ
0,65 A

Output

Incandescent and high voltage halogen
bulbs:
150 W @ 230 V AC
70 W @ 110 V AC

High voltage AC LED modules:

150 W @ 230 V AC
70 W @ 110 V AC

Dimmable LED and CFL bulbs:

50 W @ 230 V AC
25 W @ 110 V AC

Dimmable electronic transformers:

50 W @ 230 V AC
25 W @ 110 V AC

Max. output current:

0,65 A

Min. load requirement

1W

Max. inrush current

4 A

Protection

IP20

Easilite Network Figures

Network Size

127 Modules

BLE Range Between Units

30M

No# of Networks

Each easilite can only be linked to one
network

Cross Platforming on Devices

If your family are on either side of the
Apple/Andriod fence don't
worry the modules can be
controlled simultaneously from either
device.

WAVE

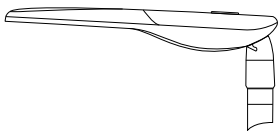
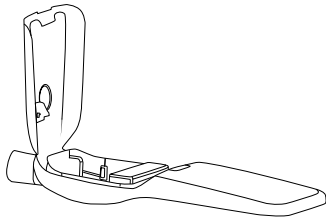
STREET LIGHTS

With the Wave's unique diecast mould, it offers precision design as well as excellent lumen packages. Manufactured using Cree chips, it also comes with an adjustable spigot.

Key Features

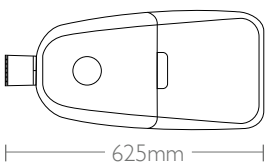
- 50,000 hours lifespan
- IP66
- IK09
- CREE CHIPS
- Meanwell Driver
- Tool-Free Access
- 60mm Spigot





Ø60mm SPIGOT

Ø60mm



290mm

625mm



105mm

PRODUCT CODE

DESCRIPTION

PRODUCT CODE	DESCRIPTION	LUMEN OUTPUT	LUMEN/WATT	COLOUR TEMP	IP RATING
WAVE3900	WAVE 40W LED STREETLIGHT IK09 3900LM	3900	98	4K	IP66
WAVE5700	WAVE 60W LED STREETLIGHT IK09 5700LM	5700	95	4K	IP66
WAVE7600	WAVE 80W LED STREETLIGHT IK09 7600LM	7600	95	4K	IP66

WAVE

STREET LIGHTS

We offer the WAVE with a larger Lumen package, more suitable for transport applications

Key Features

- 50,000 hours lifespan
- IP66
- IK09
- CREE CHIPS
- Meanwell Driver
- Tool-Free Access
- 60mm Spigot



FIVE YEAR
WARRANTY



IP
66



VANDAL
RESISTANT



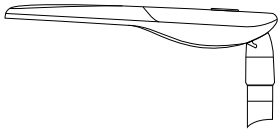
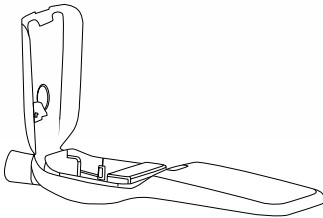
PRODUCT CODE

DESCRIPTION

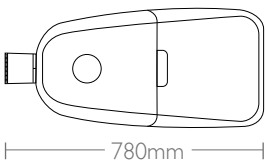
PRODUCT CODE	DESCRIPTION	LUMEN OUTPUT	LUMEN/WATT	COLOUR TEMP	IP RATING
WAVE I 1000	WAVE I 20W LED STREETLIGHT IK09 I 1000LM	11000	91	4K	IP66
WAVE I 4000	WAVE I 50W LED STREETLIGHT IK09 I 4000LM	14000	93	4K	IP66



Ø60mm



Ø60mm SPIGOT



325mm

780mm



105mm

 **SATURNLED.EU**[®]
Intelligent Lighting

PRINCE

STREET LIGHT

The unique diecast mould, offers precision design as well as excellent lumen packages. Manufactured using Cree chips and a Meanwell driver.

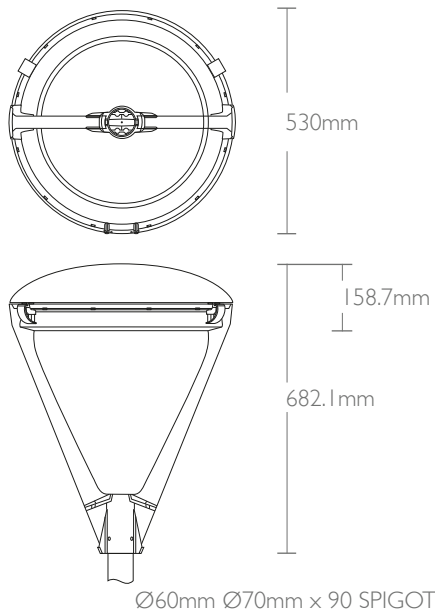
Key Features

- 50,000 hours lifespan
- IP66
- IK09
- CREE CHIPS
- Meanwell Driver
- Tool-Free Access

5 FIVE YEAR WARRANTY

IP
66

VANDAL
RESISTANT



PRODUCT CODE

DESCRIPTION

PRODUCT CODE	DESCRIPTION	LUMEN OUTPUT	LUMEN/WATT	COLOUR TEMP	IP RATING
PRINCE7200	PRINCE 80W LED STREETLIGHT IK09	7200	90	4K	IP66



 **SATURNLED.EU**[®]
Intelligent Lighting

APOLLO

STREET LIGHT

A distinctive streetlight suitable for more architectural applications.

Key Features

- 50,000 hours lifespan
- IP65
- IK09
- CREE CHIPS
- Meanwell Driver



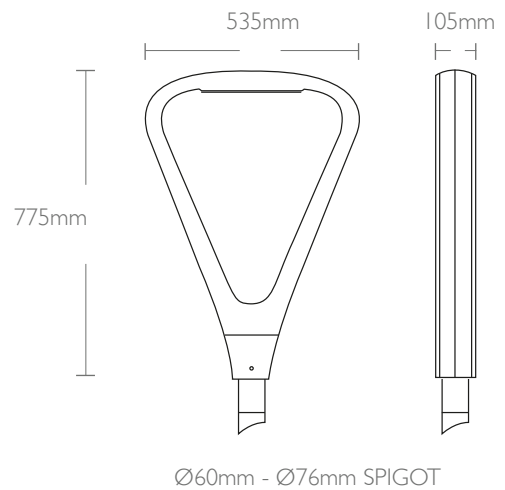
FIVE YEAR
WARRANTY



IP
65



VANDAL
RESISTANT



PRODUCT CODE

DESCRIPTION

		LUMEN OUTPUT	LUMEN/ WATT	COLOUR TEMP	IP RATING
APOLLO7500	APOLLO 80W STREETLIGHT IK09	7500	94	4K	IP65





SPHERE

STREET LIGHT

An original streetlight design that offers a 360° illumination. Ideal for residential areas, parks and recreation.

Key Features

- 50,000 hours lifespan
- IP65
- IK09
- CREE CHIPS
- Meanwell Driver



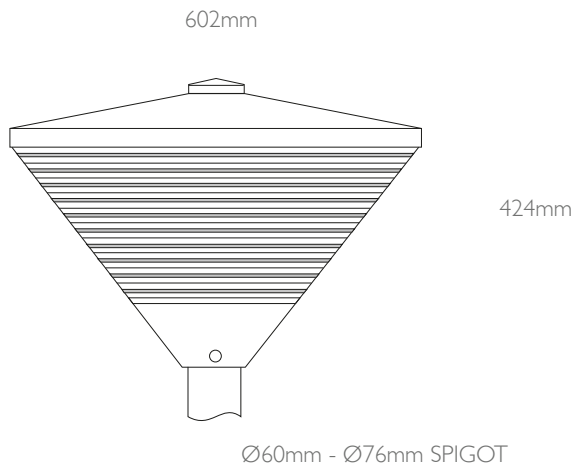
FIVE YEAR
WARRANTY



IP
65



VANDAL
RESISTANT



PRODUCT CODE

SPHERE3800

50W LED STREETLIGHT IK09

DESCRIPTION

LUMEN OUTPUT	LUMEN/WATT	COLOUR TEMP	IP RATING
3800	76	4K	IP65

FILO

BULKHEADS

A decorative bulkhead that can be used for both commercial and residential lighting and has been designed to cover a variety of lighting applications.

Key Features

- 30,000 hour lifespan (LED)
- IP65 bulkhead
- Polycarbonate diffuser
- Emergency and microwave sensor available
- White as standard with optional chrome trim



FIVE YEAR
WARRANTY



IP
65

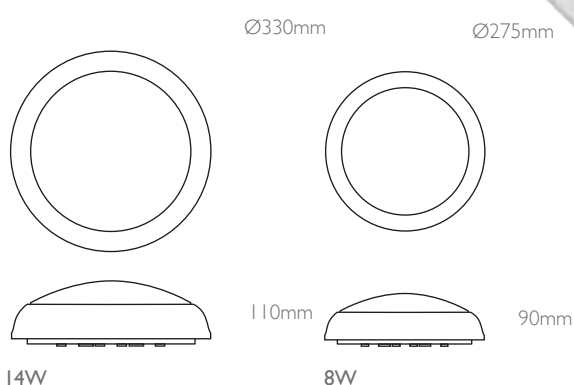


MICROWAVE
SENSOR AVAILABLE



EMERGENCY
AVAILABLE





PRODUCT CODE

FILO8W
 FILO14W
 FILO14W/EM3
 FILO14W/MWS
 FILO14W/EM3/MWS

FILO 8W LED BULKHEAD
 FILO 14W LED BULKHEAD
 FILO 14W LED BULKHEAD EMERGENCY
 FILO 14W LED BULKHEAD MICROWAVE
 FILO 14W LED BULKHEAD EM3 & MICRO

DESCRIPTION

LUMEN OUTPUT	LUMEN/WATT	COLOUR TEMP	IP RATING
560	70	4K	IP65
1100	80	4K	IP65
1100	80	4K	IP65
1100	80	4K	IP65
1100	80	4K	IP65

ACCESSORIES

FILO/CT
 FILO14/GTO
 FILO14/EM3/GTO

FILO CHROME TRIM
 FILO 14W LED GEAR TRAY ONLY
 FILO 14W LED EMERGENCY GEAR TRAY ONLY

CRYSTAL

SLIMLINE LED BULKHEADS

A variation on a classic design, with a flat diffuser and bevelled trim suitable for commercial and residential lighting

Key Features

- 30,000 hour lifespan (LED)
- IP65 bulkhead
- Polycarbonate diffuser
- Emergency and Microwave sensor available
- White as standard



FIVE YEAR
WARRANTY



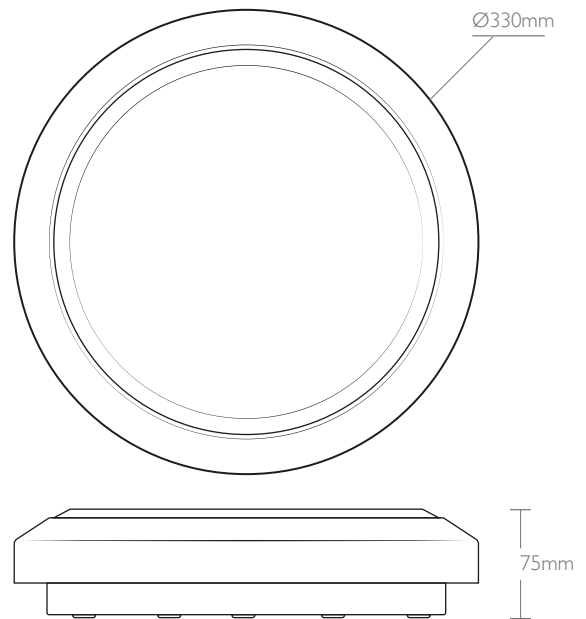
IP
65



MICROWAVE
SENSOR AVAILABLE



EMERGENCY
AVAILABLE



 **SATURNLED.EU**[®]

Intelligent Lighting

PRODUCT CODE

DESCRIPTION

PRODUCT CODE	DESCRIPTION	LUMEN OUTPUT	LUMEN/WATT	COLOUR TEMP	IP RATING
CRYS14W	CRYSTAL 14W LED BULKHEAD	1100	80	4K	IP65
CRYS14W/EM3	CRYSTAL 14W LED BULKHEAD EMERGENCY	1100	80	4K	IP65
CRYS14W/MWS	CRYSTAL 14W LED BULKHEAD MICROWAVE	1100	80	4K	IP65
CRYS14W/EM3/MWS	CRYSTAL 14W LED BULKHEAD EM3 & MICRO	1100	80	4K	IP65

ACCESSORIES

CRYS/GT	CRYSTAL 14W LED BULKHEAD GEAR TRAY ONLY	1100	80	4K	IP65
CRYS/EM3/GT	CRYSTAL 14W LED BULKHEAD EMERGENCY GEAR TRAY ONLY	1100	80	4K	IP65

CLUB

BULKHEADS

The Club LED anti-vandal bulkhead can be used for both commercial and residential lighting and has been designed to cover a variety of lighting applications.

Key Features

- 30,000 hours lifespan
- IP 65 bulkhead
- Opal diffuser
- Emergency and microwave sensor available
- Vandal resistant



FIVE YEAR
WARRANTY



IP
65



VANDAL
RESISTANT

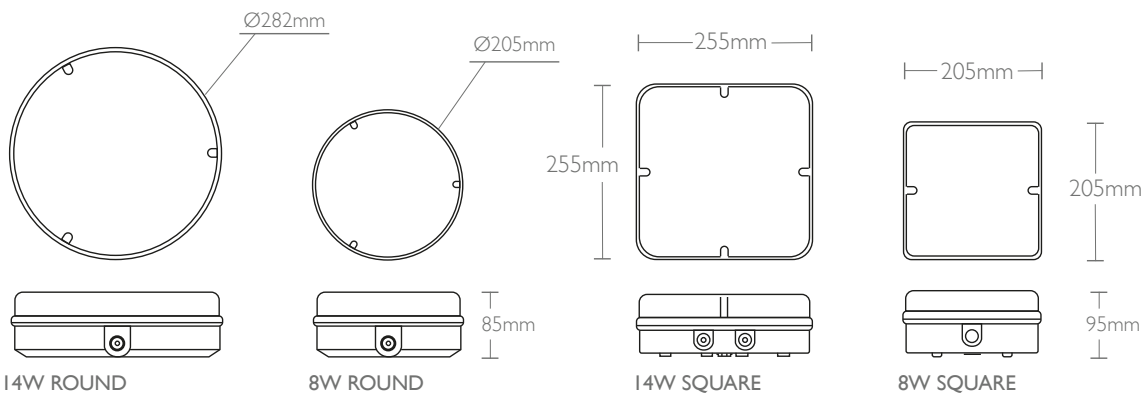


MICROWAVE
SENSOR AVAILABLE



EMERGENCY
AVAILABLE





PRODUCT CODE

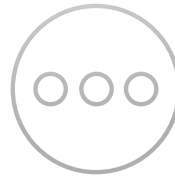
DESCRIPTION

PRODUCT CODE	DESCRIPTION	LUMEN OUTPUT	LUMEN/WATT	COLOUR TEMP	IP RATING
CLUB7W/RO/WB	8W SMALL ROUND/ WHITE BASE/OPAL DIFFUSER	600	85	4K	IP65
CLUB7W/RO/BB	8W SMALL ROUND/BLACK BASE/OPAL DIFFUSER	600	85	4K	IP65
CLUB14W/RO/WB	14W ROUND/WHITE BASE/OPAL DIFFUSER	1200	85	4K	IP65
CLUB14W/RO/BB	14W ROUND/ BLACK BASE/OPAL DIFFUSER	1200	85	4K	IP65
CLUB7W/SQ/WB	8W SMALL SQUARE/WHITE BASE/OPAL DIFFUSER	600	85	4K	IP65
CLUB7W/SQ/BB	8W SMALL SQUARE/ BLACK BASE/OPAL DIFFUSER	600	85	4K	IP65
CLUB14W/SQ/WB	14W SQUARE/WHITE BASE/OPAL DIFFUSER	1200	85	4K	IP65
CLUB14W/SQ/BB	14W SQUARE/ BLACK BASE/OPAL DIFFUSER	1200	85	4K	IP65

/EM3 ADD **/EM3** TO THE END OF ANY PRODUCT CODES FOR EMERGENCY
CLUB14W/EM3/MWS/GT 14W ROUND/LED EMERGENCY AND MICROWAVE SENSOR GEAR TRAY ONLY

LUMEN OUTPUT	LUMEN/WATT	COLOUR TEMP	IP RATING
1200	85	4K	IP65

KING COBRA & COBRA



3-IN-1
TRIMS

BULKHEADS

The unique, decorative Cobra (10W) and King Cobra (22W) polycarbonate bulkhead includes all three trims and are available in anthracite, silver and white.

Key Features

- 50,000 hour lifespan
- IP65 3-in-1 bulkhead
- Polycarbonate body
- Anti-tamper screws
- Emergency and microwave available
- Vandal resistant
- Screw cap covers
- Ultra slim



FIVE YEAR
WARRANTY



IP
65



VANDAL
RESISTANT



MICROWAVE
SENSOR AVAILABLE



EMERGENCY
AVAILABLE



3-IN-1
TRIMS

 **SATURNLED.EU**[®]

Intelligent Lighting

EYELID



GRILLE



PLAIN





WHITE



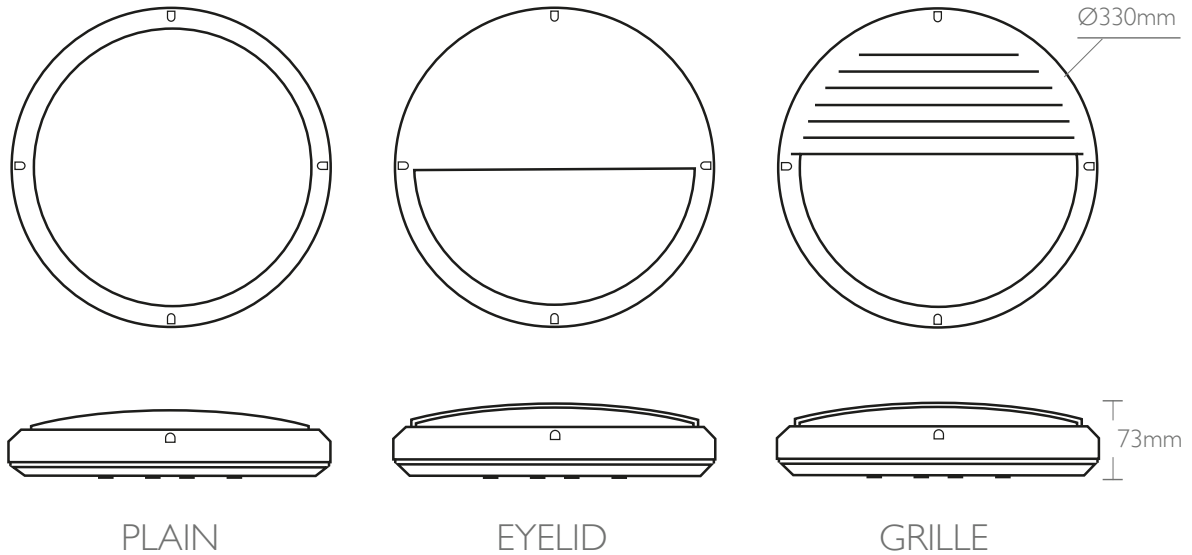
SILVER



ANTHRACITE

KING COBRA

BULKHEADS



PRODUCT CODE

DESCRIPTION

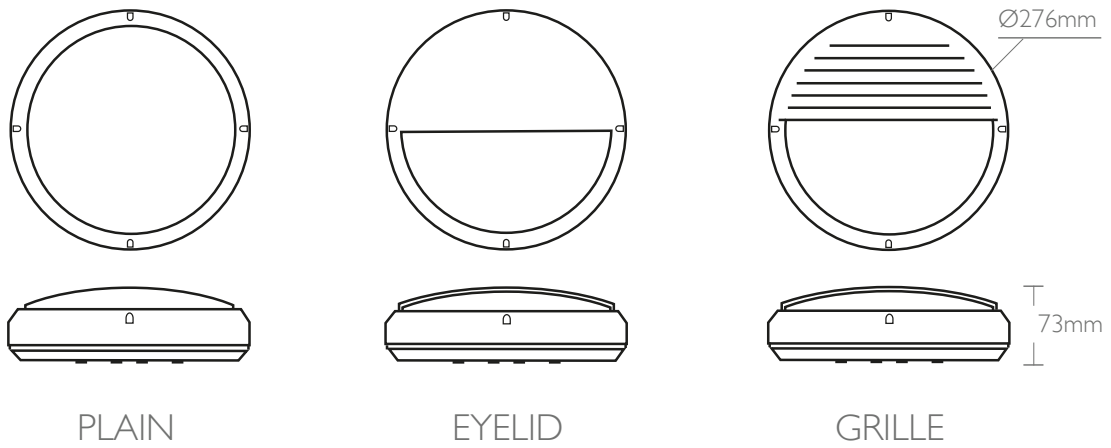
PRODUCT CODE	DESCRIPTION	LUMEN OUTPUT	LUMEN/WATT	COLOUR TEMP	IP RATING
COBRA22W/WH	22W WHITE C/W TRIMS	2200	100	4K	IP65
COBRA22W/SIL	22W SILVER C/W TRIMS	2200	100	4K	IP65
COBRA22W/ANT	22W ANTHRACITE C/W TRIMS	2200	100	4K	IP65

/EM3
/MWS

ADD /EM3 TO THE END OF ANY PRODUCT CODES FOR EMERGENCY
ADD /MWS TO THE END OF ANY PRODUCT CODES FOR MICROWAVE SENSOR

COBRA

BULKHEADS



PRODUCT CODE

DESCRIPTION

PRODUCT CODE	DESCRIPTION	LUMEN OUTPUT	LUMEN/WATT	COLOUR TEMP	IP RATING
COBRA 10W/WH	10W WHITE C/W 3 TRIMS	1000	100	4K	IP65
COBRA 10W/SIL	10W SILVER C/W 3 TRIMS	1000	100	4K	IP65
COBRA 10W/ANT	10W ANTHRACITE C/W 3 TRIMS	1000	100	4K	IP65

/EM3
/MWS

ADD **/EM3** TO THE END OF ANY PRODUCT CODES FOR EMERGENCY
ADD **/MWS** TO THE END OF ANY PRODUCT CODES FOR MICROWAVE SENSOR



WHITE



SILVER

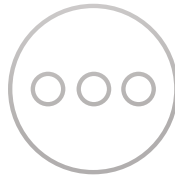


ANTHRACITE



Intelligent Lighting

VIPER BULKHEADS



3-IN-1
TRIMS

LED BULKHEADS

The unique, decorative Viper polycarbonate bulkhead includes all three trims and is available in anthracite, silver and white.

Key Features

- IP65 3-in-1 bulkhead
- Polycarbonate body
- Anti-tamper screws
- Vandal resistant



FIVE YEAR
WARRANTY



IP
65



VANDAL
RESISTANT



MICROWAVE
SENSOR AVAILABLE



3-IN-1
TRIMS

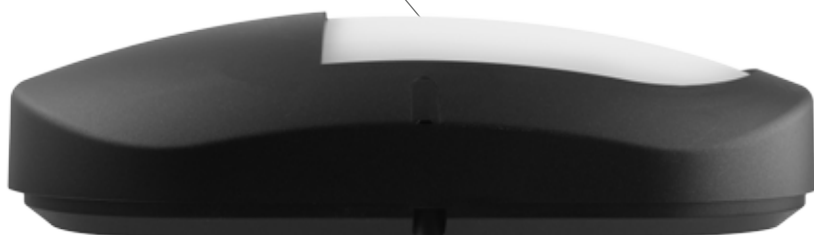
PLAIN



GRILLE

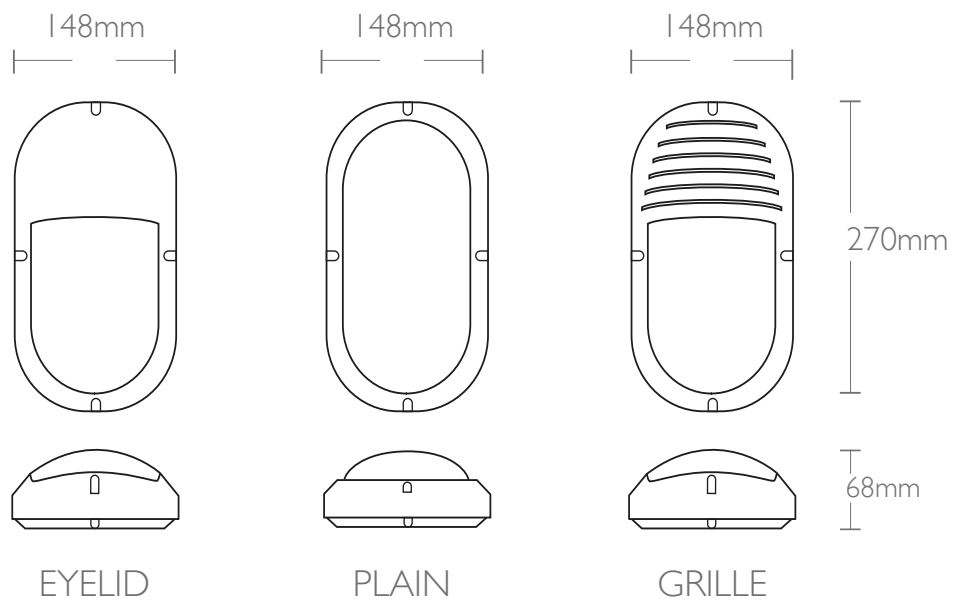


EYELID



VIPER

BULKHEADS



PRODUCT CODE

DESCRIPTION

PRODUCT CODE	DESCRIPTION	LUMEN OUTPUT	LUMEN/WATT	COLOUR TEMP	IP RATING
VIPER5W/WH	5W WHITE C/W 3 TRIMS	500	100	4K	IP65
VIPER5W/SIL	5W SILVER C/W 3 TRIMS	500	100	4K	IP65
VIPER5W/ANT	5W ANTHRACITE C/W 3 TRIMS	500	100	4K	IP65

/MWS

ADD **/MWS** TO THE END OF ANY PRODUCT CODES FOR MICROWAVE SENSOR



WHITE



SILVER



ANTHRACITE



Intelligent Lighting



 **SATURNLED.EU**[®]
Intelligent Lighting



VITO

DIECAST BULKHEADS

High quality diecast circular bulkheads with integral emergency options, the Vito is suitable for vandal-resistant areas.

Key Features

- 30,000 hour lifespan (LED)
- IP65 bulkhead
- Diecast aluminium casing
- Polycarbonate diffuser
- Emergency and microwave sensor available
- Anti-vandal design



FIVE YEAR
WARRANTY



IP
65



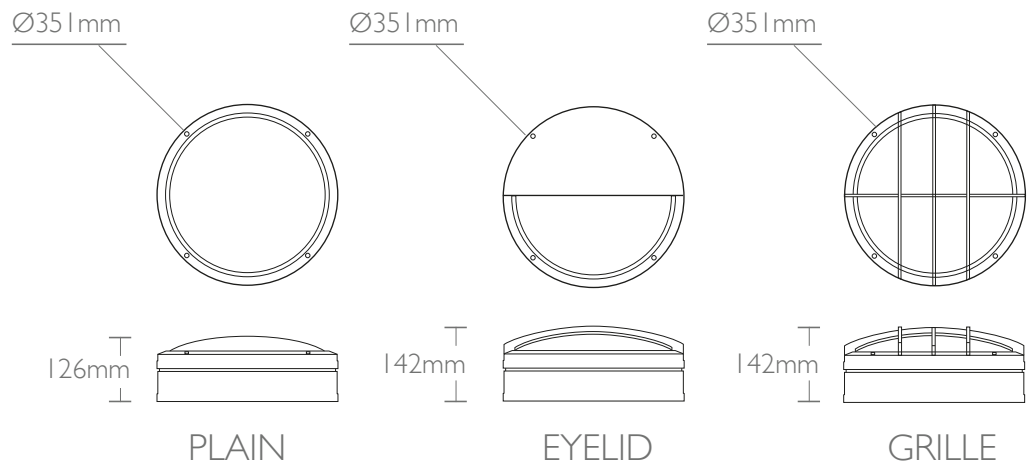
VANDAL
RESISTANT



MICROWAVE
SENSOR AVAILABLE



EMERGENCY
AVAILABLE



PRODUCT CODE

DESCRIPTION

PRODUCT CODE	DESCRIPTION	LUMEN OUTPUT	LUMEN/WATT	COLOUR TEMP	IP RATING
VITOLEDPL	VITO 14W LED PLAIN	950	68	4K	IP65
VITOLEDGR	VITO 14W LED GRILLE	800	57	4K	IP65
VITOLEDEL	VITO 14W LED EYELID	475	34	4K	IP65

ACCESSORIES

DESCRIPTION

VITOLED/EM3/GT	VITO 14W EMERGENCY LED GEAR TRAY	950	68	4K	N/A
----------------	----------------------------------	------------	----	-----------	-----



 **SATURNLED.EU**[®]
Intelligent Lighting

ASH

LED BULKHEADS

High quality polycarbonate circular bulkheads, the Ash is suitable for vandal-resistant areas.

Key Features

- 30,000 hour lifespan (LED)
- IP65 bulkhead
- Polycarbonate casing & diffuser
- Emergency and microwave sensor available
- Anti-vandal design

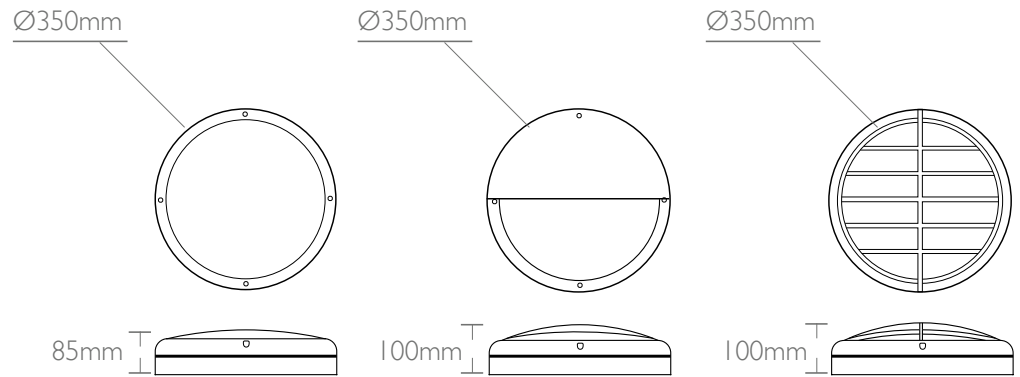
5 FIVE YEAR WARRANTY

IP
65

VANDAL
RESISTANT

MICROWAVE
SENSOR AVAILABLE

EMERGENCY
AVAILABLE



PRODUCT CODE

DESCRIPTION

PRODUCT CODE	DESCRIPTION	LUMEN OUTPUT	LUMEN/WATT	COLOUR TEMP	IP RATING
ASH19PL	ASH 19W POLYCARBONATE LED PLAIN BULKHEAD	1600	85	4K	IP65
ASH19GR	ASH 19W POLYCARBONATE LED GRILLE BULKHEAD	1450	76	4K	IP65
ASH19EY	ASH 19W POLYCARBONATE LED EYELID BULKHEAD	900	47	4K	IP65

/EM3 ADD **/EM3** TO THE END OF ANY PRODUCT CODES FOR EMERGENCY
/MWS ADD **/MWS** TO THE END OF ANY PRODUCT CODES FOR MICROWAVE SENSOR





 **SATURNLED.EU**[®]
Intelligent Lighting

MILAN

BULKHEADS

The Milan bulkhead features snaplock diffuser clips making it ideal for residential and communal areas.

Key Features

- 30,000 hour lifespan (LED)
- IP65 bulkhead
- Fully polycarbonate
- Maintenance friendly maintained diffuser



FIVE YEAR
WARRANTY



IP
65



VANDAL
RESISTANT

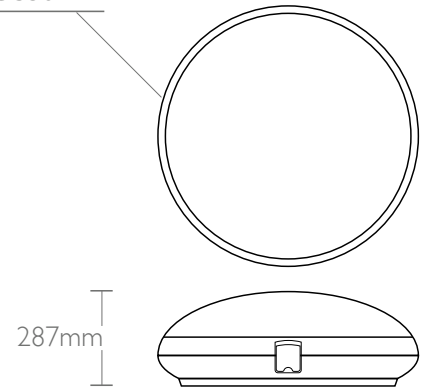


MICROWAVE
SENSOR AVAILABLE



EMERGENCY
AVAILABLE

Ø350mm



PRODUCT CODE

DESCRIPTION

PRODUCT CODE	DESCRIPTION	LUMEN OUTPUT	LUMEN/WATT	COLOUR TEMP	IP RATING
MILAN22W	MILAN 22W POLYCARBONATE LED PLAIN BULKHEAD	1800	80	4K	IP65

/EM3
/MWS

ADD **/EM3** TO THE END OF ANY PRODUCT CODES FOR EMERGENCY
ADD **/MWS** TO THE END OF ANY PRODUCT CODES FOR MICROWAVE SENSOR

Powered by **TRIDONIC**





 **SATURNLED.EU[®]**

Intelligent Lighting

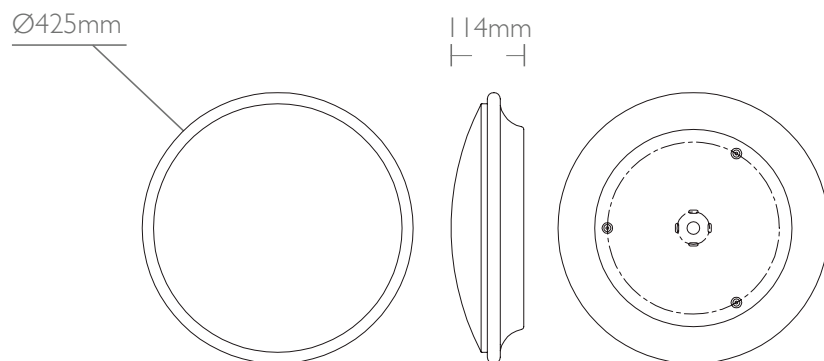
JACOB

BULKHEADS

A decorative surface fitting suitable for indoor corridor & stairwell applications

Key Features

- 30,000 hour lifespan (LED)
- IP20 bulkhead
- Aluminium base
- Polycarbonate diffuser
- Emergency and microwave sensor available



PRODUCT CODE

DESCRIPTION

PRODUCT CODE	DESCRIPTION	LUMEN OUTPUT	LUMEN/WATT	COLOUR TEMP	IP RATING
JACOB22W	JACOB 22W 2200LM METALBASE POLYCARBONATE	2200	100	4K	IP20

/EM3
/MWS

ADD **/EM3** TO THE END OF ANY PRODUCT CODES FOR EMERGENCY
ADD **/MWS** TO THE END OF ANY PRODUCT CODES FOR MICROWAVE SENSOR

Powered by **TRIDONIC**

HALO

BULKHEADS

Halo LED bulkheads are over twice as efficient as TC-DD equivalents. Creating a dramatic halo effect on the wall or ceiling, they are further complemented by a range of trim accessories.

Key Features

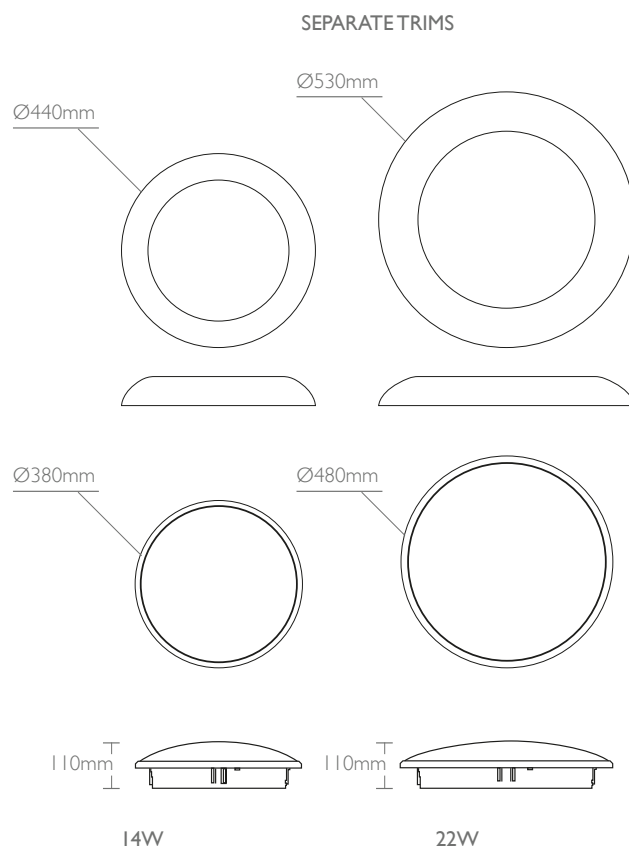
- 30,000 hour lifespan (LED)
- IP20 bulkhead
- Halo effect
- Polycarbonate base/diffuser
- Emergency and microwave sensor available
- Trim attachments, chrome, satin chrome, white
- Corridor and stairwell applications

5 FIVE YEAR WARRANTY

IP 20

MICROWAVE SENSOR AVAILABLE

EMERGENCY AVAILABLE



PRODUCT CODE

DESCRIPTION

PRODUCT CODE	DESCRIPTION	LUMEN OUTPUT	LUMEN/WATT	COLOUR TEMP	IP RATING
HALO15W	HALO 15W LED BULKHEAD	1100	80	4K	IP20
HALO25W	HALO 25W LED BULKHEAD	1800	80	4K	IP20
/EM3	ADD /EM3 TO THE END OF ANY PRODUCT CODE FOR EMERGENCY				
/MWS	ADD /MWS TO THE END OF ANY PRODUCT CODE FOR MICROWAVE SENSOR				

ACCESSORIES

DESCRIPTION

HALO15W/CT	HALO 15W CHROME TRIM ONLY
HALO15W/SCT	HALO 15W SATIN CHROME TRIM ONLY
HALO15W/WT	HALO 15W WHITE TRIM ONLY
HALO25W/CT	HALO 25W CHROME TRIM ONLY
HALO25W/SCT	HALO 25W SATIN CHROME TRIM ONLY
HALO25W/WT	HALO 25W WHITE TRIM ONLY

Powered by **TRIDONIC**



NEMO

LED BATHROOM BULKHEADS

Nemo LED bulkheads are over twice as efficient as TC-DD equivalents.

Key Features

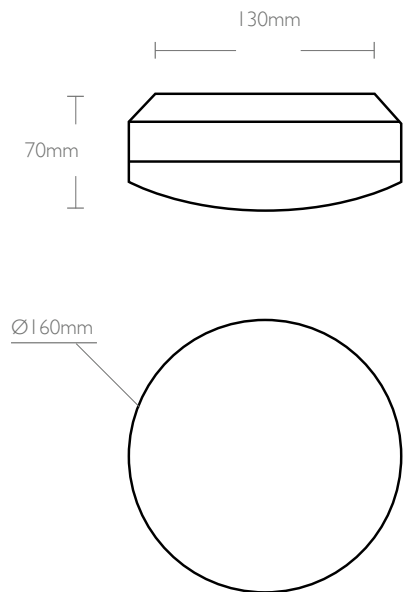
- 30,000 hour lifespan (LED)
- IP44 bulkhead
- Polycarbonate base/diffuser
- Low maintenance
- Chrome made to order
- instant illumination



FIVE YEAR
WARRANTY



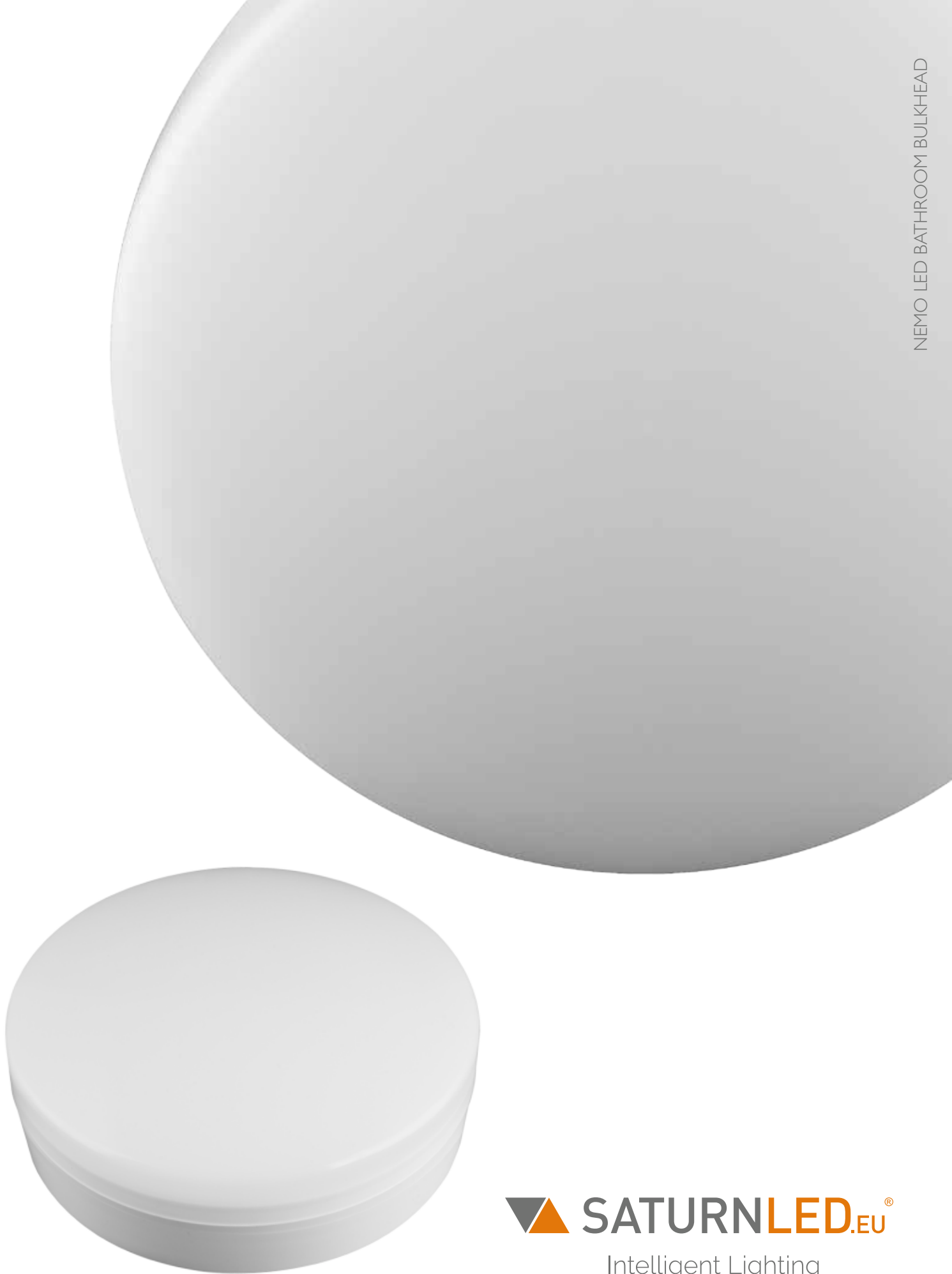
IP
44



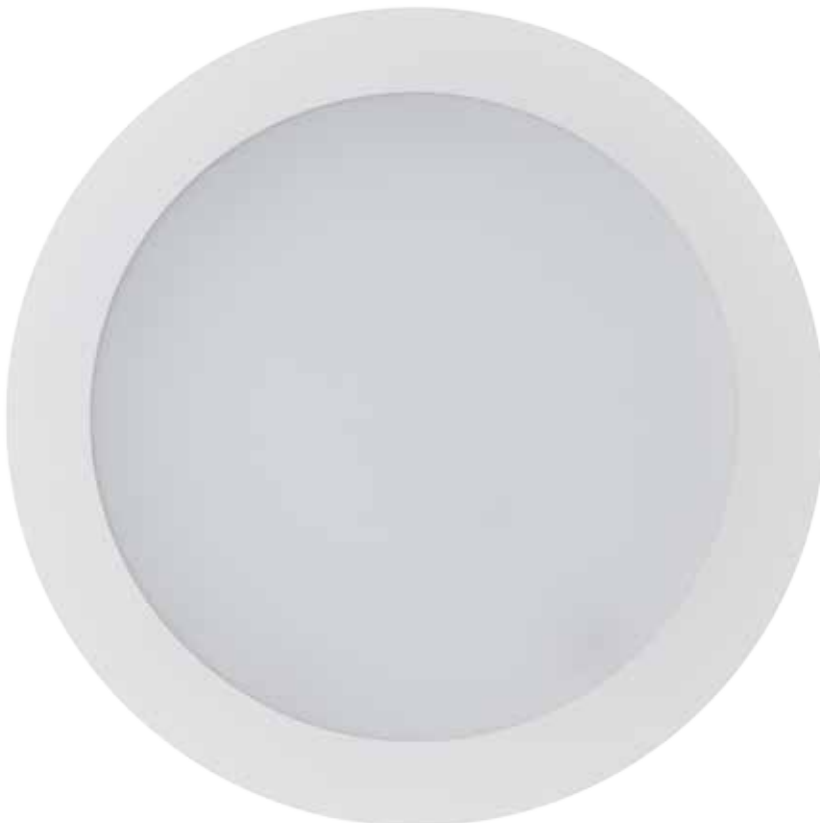
PRODUCT CODE

DESCRIPTION

		LUMEN OUTPUT	LUMEN/ WATT	COLOUR TEMP	IP RATING
NEMO6	NEMO 6W LED BATHROOM BULKHEAD	450	75	4K	IP44



 **SATURNLED.EU**[®]
Intelligent Lighting



DIAMOND

DOWNLIGHTS

This high quality compact LED downlight outperforms comparable traditional style PL fittings, with the added advantage of having the same size cutouts.

Key Features

- 50,000 hour lifespan
- IP44
- Compact, ultra-slim fitting
- Matt white
- Emergency option available

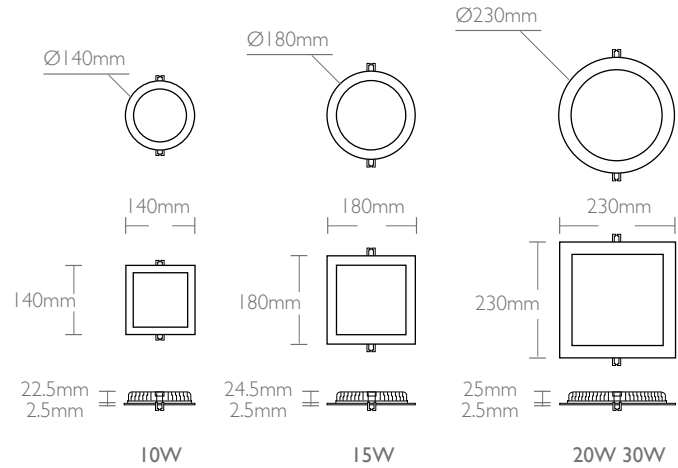
5 FIVE YEAR WARRANTY

IP 44

DALI DIMMABLE AVAILABLE

EMERGENCY AVAILABLE

BEAM 90°



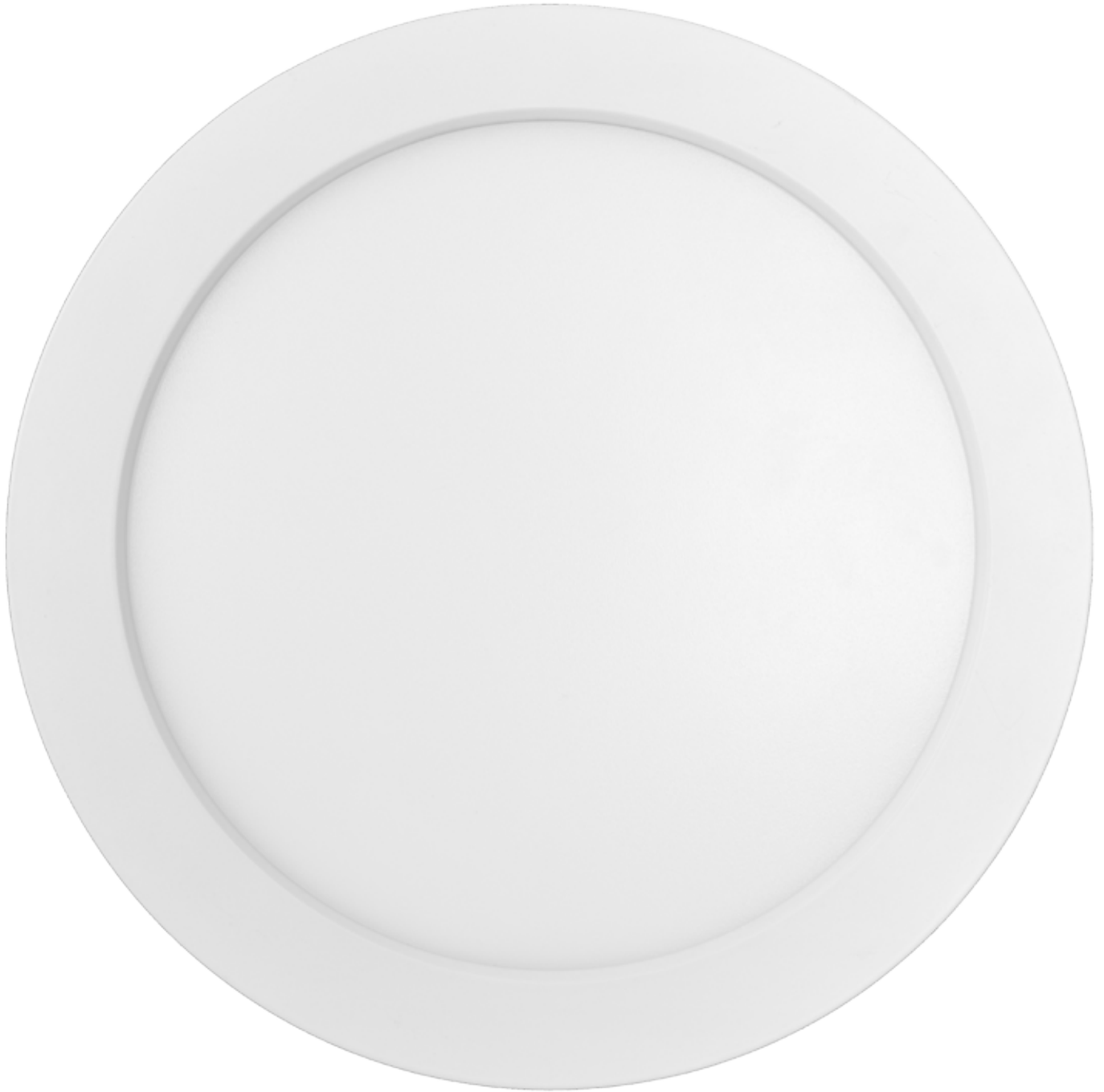
PRODUCT CODE

DESCRIPTION

PRODUCT CODE	DESCRIPTION	LUMEN OUTPUT	LUMEN/WATT	CUT OUT Ø	COLOUR TEMP	IP RATING
DIA10W/RO/4K	ROUND 10W DIMMABLE DOWNLIGHT	900	90	ø125	4K	IP44
DIA10W/RO/3K	ROUND 10W DIMMABLE DOWNLIGHT	880	88	ø125	3K	IP44
DIA15W/RO/4K	ROUND 15W DIMMABLE DOWNLIGHT	1500	100	ø160	4K	IP44
DIA15W/RO/3K	ROUND 15W DIMMABLE DOWNLIGHT	1425	95	ø160	3K	IP44
DIA20W/RO/4K	ROUND 20W DIMMABLE DOWNLIGHT	1890	94	ø200	4K	IP44
DIA20W/RO/3K	ROUND 20W DIMMABLE DOWNLIGHT	1800	90	ø200	3K	IP44
DIA30W/RO/4K	ROUND 30W DIMMABLE DOWNLIGHT	2875	96	ø200	4K	IP44
DIA30W/RO/3K	ROUND 30W DIMMABLE DOWNLIGHT	2800	93	ø200	3K	IP44
DIA10W/SQ/4K	SQUARE 10W DIMMABLE DOWNLIGHT	900	90	125 x 125	4K	IP44
DIA10W/SQ/3K	SQUARE 10W DIMMABLE DOWNLIGHT	880	88	125 x 125	3K	IP44
DIA15W/SQ/4K	SQUARE 15W DIMMABLE DOWNLIGHT	1500	100	160 x 160	4K	IP44
DIA15W/SQ/3K	SQUARE 15W DIMMABLE DOWNLIGHT	1425	95	160 x 160	3K	IP44
DIA20W/SQ/4K	SQUARE 20W DIMMABLE DOWNLIGHT	1890	94	200 x 200	4K	IP44
DIA20W/SQ/3K	SQUARE 20W DIMMABLE DOWNLIGHT	1800	90	200 x 200	3K	IP44
DIA30W/SQ/4K	SQUARE 30W DIMMABLE DOWNLIGHT	2875	96	200 x 200	4K	IP44
DIA30W/SQ/3K	SQUARE 30W DIMMABLE DOWNLIGHT	2800	93	200 x 200	3K	IP44

/SATEM3
/DALI

SATURN UNIVERSAL EMERGENCY PACK
ADD /DALI TO THE END OF ANY PRODUCT CODES FOR DALI DIMMABLE



RUBY

SLIMLINE LED DOWNLIGHTS

This high quality compact LED downlight outperforms comparable traditional style PL fittings, with the added advantage of having the same size cutouts.

Key Features

- 50,000 hour lifespan
- IP20
- Compact, ultra-slim fitting
- Matt white



THREE YEAR
WARRANTY



IP
20



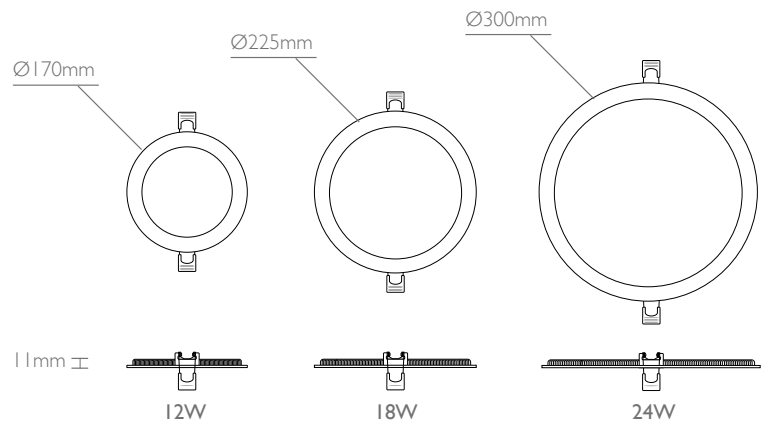
DALI DIMMABLE
AVAILABLE



EMERGENCY
AVAILABLE



BEAM
90°



PRODUCT CODE

DESCRIPTION

PRODUCT CODE	DESCRIPTION	LUMEN OUTPUT	LUMEN/WATT	CUT OUT	COLOUR TEMP	IP RATING
RUBY12W4K	ROUND 12W DIMMABLE DOWNLIGHT	960	80	ø160	4K	IP20
RUBY18W4K	ROUND 18W DIMMABLE DOWNLIGHT	1620	90	ø215	4K	IP20
RUBY24W4K	ROUND 24W DIMMABLE DOWNLIGHT	2160	90	ø290	4K	IP20

[/SATEM3](#)
[/DALI](#)

SATURN UNIVERSAL EMERGENCY PACK
ADD [/DALI](#) TO THE END OF ANY PRODUCT CODES FOR DALI DIMMABLE



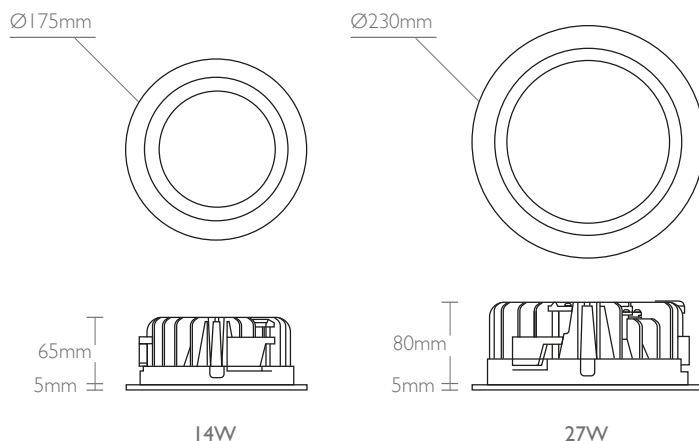
BONO

DOWNLIGHTS

Bono LED downlights are perfect for both new build and retrofit projects. With high performance and easy installation as standard, the added benefit of Bono LED Downlights is the four-in-one attachment that offers alternative styles for enhanced aesthetics.

Key Features

- 50,000 hour lifespan
- IP44
- Matt white
- Range of attachments available
- Emergency and dimmable options available
- Twist and lock attachments for ease of installation



PRODUCT CODE

DESCRIPTION

PRODUCT CODE	DESCRIPTION	LUMEN OUTPUT	LUMEN/WATT	CUT OUT	COLOUR TEMP	IP RATING
BONO14W/4K	BONO 14W ROUND DOWNLIGHT 4000K	1350	95	ø150	4K	IP44
BONO27W/4K	BONO 27W ROUND DOWNLIGHT 4000K	2450	90	ø200	4K	IP44

/SATEM3
/DALI

SATURN UNIVERSAL EMERGENCY PACK
ADD /DALI TO THE END OF ANY PRODUCT CODES FOR DIMMABLE

ACCESSORIES

DESCRIPTION

BONO14W/ROD	ROUND DROPGLASS ATTACHMENT 14W
BONO14W/SQD	SQUARE DROPGLASS ATTACHMENT 14W
BONO14W/SQ	SQUARE ATTACHMENT 14W
BONO27W/ROD	ROUND DROPGLASS ATTACHMENT 27W
BONO27W/SQD	SQUARE DROPGLASS ATTACHMENT 27W
BONO27W/SQ	SQUARE ATTACHMENT 27W



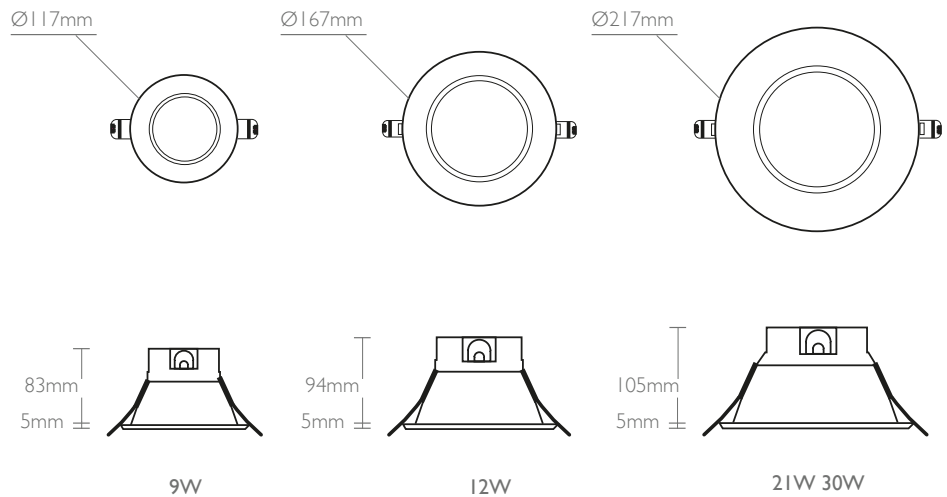
EMERALD

DOWNLIGHTS

Emerald UGR downlights are ideal replacements for traditional PL downlights. The unique design gives Emerald a low UGR rating for use in commercial applications.

Key Features

- 50,000 hour lifespan
- IP20
- Matt white
- Anti-glare/ UGR 22
- Integral driver
- Emergency option available
- Dimmable available
- IP44 versions available
- Mirror reflector versions available



PRODUCT CODE

DESCRIPTION

PRODUCT CODE	DESCRIPTION	LUMEN OUTPUT	LUMEN/WATT	CUT OUT	COLOUR TEMP	IP RATING
EMERALD9W	EMERALD 9W 900LM UGR 4000K	900	100	Ø117mm	4K	IP20
EMERALD12W	EMERALD 12W 1200LM UGR 4000K	1200	100	Ø167mm	4K	IP20
EMERALD21W	EMERALD 21W 2100LM UGR 4000K	2100	100	Ø217mm	4K	IP20
EMERALD30W	EMERALD 30W 3000LM UGR 4000K	3000	100	Ø217mm	4K	IP20

/3K ADD **/3K** TO THE END OF ANY PRODUCT CODES FOR 3K VARIANT



JETTO

DISPLAY LIGHTING

High performance retail LED scoop downlights, in both circular and rectangular, with minimal heat outputs. Complete with high performance LED chips.

Key Features

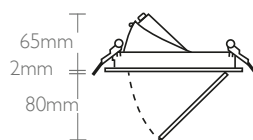
- 30,000 hour lifespan
- IP20
- Instant brightness compared with traditional CDMT
- Matt white
- 45° tiltable and 360° rotatable (22&40W)

5 FIVE YEAR WARRANTY

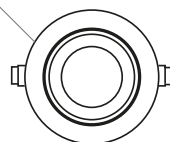
IP
20



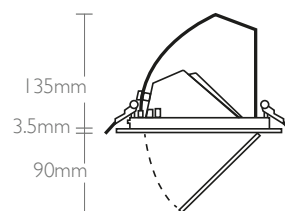
22W



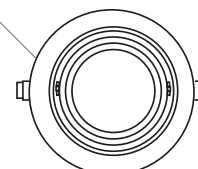
Ø157mm



40W



Ø190mm

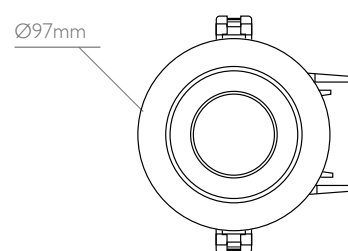
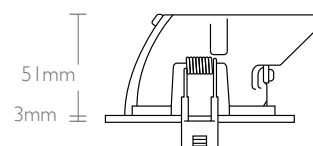


SATURNLED.EU[®]

Intelligent Lighting



12W MINI SCOOP



PRODUCT CODE

DESCRIPTION

PRODUCT CODE	DESCRIPTION	LUMEN OUTPUT	LUMEN/WATT	CUT OUT	COLOUR TEMP	IP RATING
JT/12W/3K	JETTO 12W MINI SCOOP	600	50	ø83mm	2700K	IP20
JT/12W/4K	JETTO 12W MINI SCOOP	900	75	ø83mm	4000K	IP20
JT/22/RO	JETTO 22W SWIVEL AND SCOOP	1600	72	ø157mm	4000K	IP20
JT/40/RO	JETTO 40W SWIVEL AND SCOOP	3050	76	ø190mm	4000K	IP20

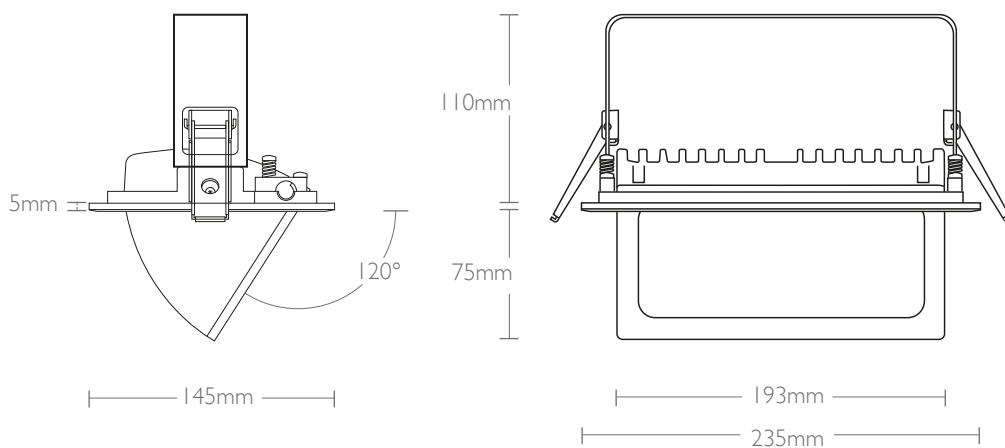
JETTO

DISPLAY LIGHTING

High performance retail LED scoop downlights, in both circular and rectangular with minimal heat outputs. Complete with high performance LED chips.

Key Features

- 30,000 hour lifespan
- IP20
- Instant brightness compared with traditional CDMT
- SMD and COB available
- Matt white
- 60° tiltable rectangle scoop



PRODUCT CODE

DESCRIPTION

PRODUCT CODE	DESCRIPTION	LUMEN OUTPUT	LUMEN/WATT	CUT OUT	COLOUR TEMP	IP RATING
JT/35/SMD	JETTO 35W OPAL SCOOP	3200	91	225 X 135mm	4K	IP20
JT/35/COB	JETTO 35W CLEAR SCOOP	2800	80	225 X 135mm	4K	IP20



 **SATURNLED.EU**[®]
Intelligent Lighting

WINSTON

SURFACE CYLINDER FITTINGS

Winston is a range of high performance surface mounted LED downlights for use where recessing is not an option.

Key Features

- 50,000 hour lifespan
- IP54
- Surface mounting
- Low glare
- Aluminium
- Dimmable



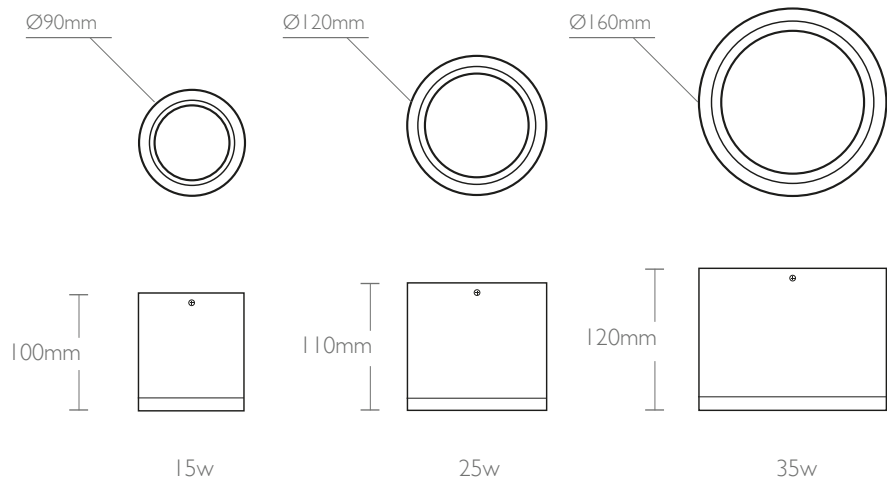
FIVE YEAR
WARRANTY



IP
54



DALI DIMMABLE
AVAILABLE



PRODUCT CODE

DESCRIPTION

		LUMEN OUTPUT	LUMEN/ WATT	COLOUR TEMP	IP RATING
WINSTON15W	WINSTON 15W 90X100MM SURFACE CYLINDER	1500	100	4K	IP54
WINSTON25W	WINSTON 25W 120X110MM SURFACE CYLINDER	2500	100	4K	IP54
WINSTON35W	WINSTON 35W 160X120MM SURFACE CYLINDER	3500	100	4K	IP54

/DALI

ADD **/DALI** TO THE END OF ANY PRODUCT CODES FOR DALI DIMMABLE

35W



25W



15W



CYCLONE

LED PANELS

Our LED panels have been designed and manufactured using the latest LED technology and components to offer a stylish solution. They provide savings over traditional fittings through their simplicity and ease of installation. Often installed in commercial environments such as offices, meeting rooms and shops.

Key Features

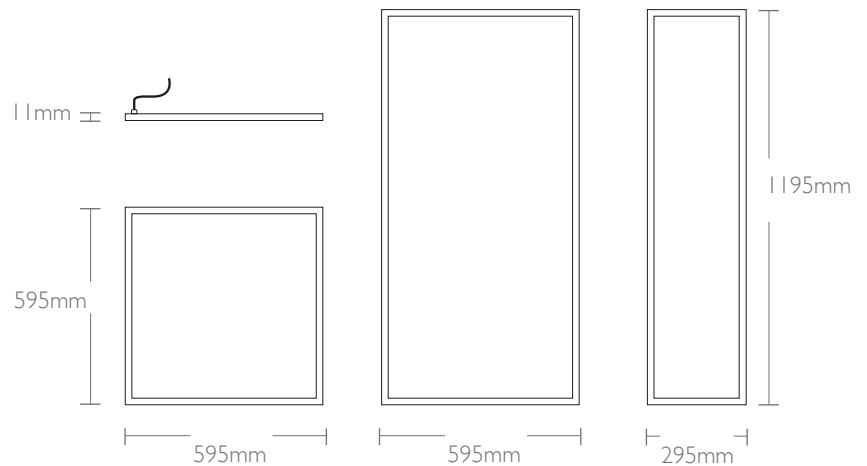
- 50,000 hour lifespan
- IP20
- Compact, ultra-slim fitting
- Matt white diffuser
- Anodised aluminium frame
- Emergency option available
- Zero maintenance

5 FIVE YEAR WARRANTY

IP
20

DALI DIMMABLE
AVAILABLE

EMERGENCY
AVAILABLE





PRODUCT CODE

DESCRIPTION

PRODUCT CODE	DESCRIPTION	LUMEN OUTPUT	LUMEN/WATT	COLOUR TEMP	IP RATING
CYC662800	WHITE 600X600 LED PANEL	2800	100	4K	IP20
CYC663200	WHITE 600X600 LED PANEL	3200	100	4K	IP20
CYC1232800	WHITE 1200X300 LED PANEL	2800	100	4K	IP20
CYC1266000	WHITE 1200X600 LED PANEL	6000	100	4K	IP20

ACCESSORIES

CYC66SUR	600X600 SURFACE BOX WHITE
CYC123/SUR	1200X300 SURFACE BOX WHITE
CYC126/SUR	1200X600 SURFACE KITS WHITE
CYCSUS	SUSPENSION KIT

/SATEM3
/DALI

SATURN UNIVERSAL EMERGENCY PACK
ADD **/DALI** TO THE END OF ANY PRODUCT CODES FOR DALI DIMMABLE

Powered by **TRIDONIC**



MARS

LED BACKLIT PANELS

Suitable for recessed installation in commercial applications where a suspended grid ceiling is installed, Mars Backlit LED Panels deliver excellent savings over traditional fluorescent light fittings while delivering improved lumen output.

Key Features

- 50,000 hour lifespan
- IP20
- Emergency option available
- Dimmable option available
- Zero maintenance



FIVE YEAR
WARRANTY



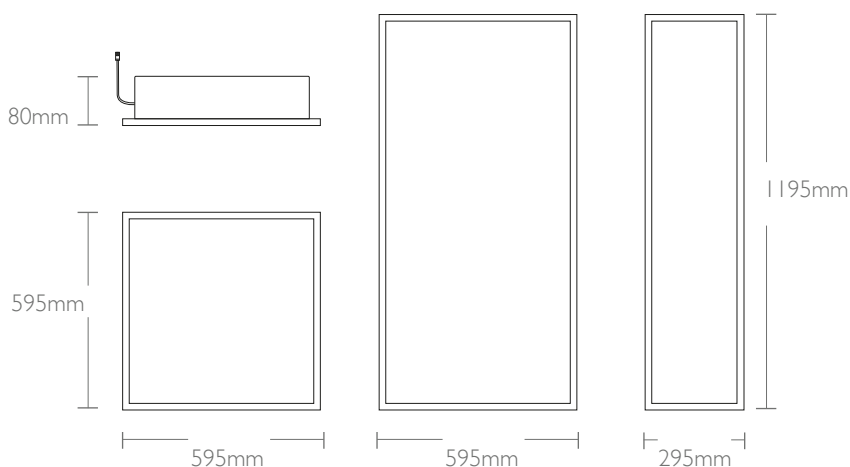
IP
20



DALI DIMMABLE
AVAILABLE



EMERGENCY
AVAILABLE



PRODUCT CODE

DESCRIPTION

PRODUCT CODE	DESCRIPTION	LUMEN OUTPUT	LUMEN/WATT	COLOUR TEMP	IP RATING
MARS66	35W (600X600) BACKLIT PANEL	3500	100	4K	IP20
MARS123	35W (1200X300) BACKLIT PANEL	3500	100	4K	IP20
MARS126	60W (1200X600) BACKLIT PANEL	6800	113	4K	IP20

/SATEM3
/DALI

SATURN UNIVERSAL EMERGENCY PACK
ADD **DALI** TO THE END OF ANY PRODUCT CODES FOR DALI DIMMABLE

Powered by **TRIDONIC**



 **SATURNLED.EU**[®]
Intelligent Lighting



CLARITY

LED TROFFER

Our LED troffer panels have been designed and manufactured using the latest LED technology and components to offer a stylish solution. They provide savings over traditional fittings through their simplicity and ease of installation. Often installed in commercial environments such as offices, meeting rooms and shops.

Key Features

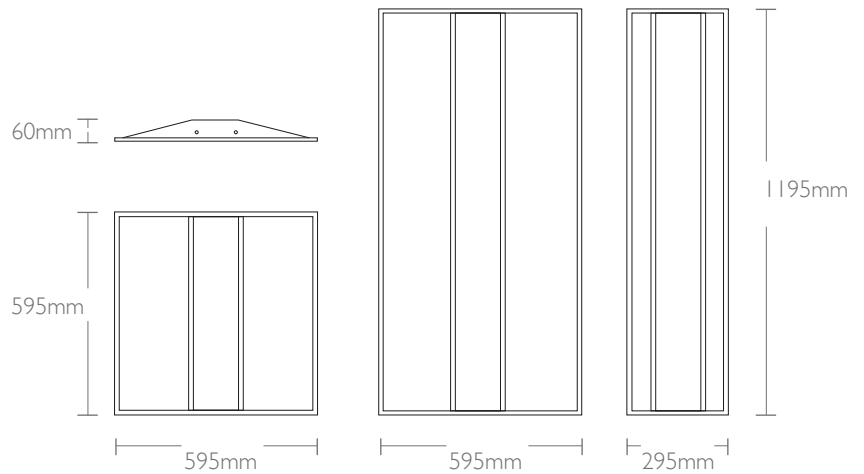
- 50,000 hour lifespan
- IP20
- Matt white diffuser
- Anodised aluminium frame
- Emergency option available
- Zero maintenance

5 FIVE YEAR WARRANTY

IP
20

DALI DIMMABLE
AVAILABLE

EMERGENCY
AVAILABLE



PRODUCT CODE

DESCRIPTION

PRODUCT CODE	DESCRIPTION	LUMEN OUTPUT	LUMEN/WATT	COLOUR TEMP	IP RATING
CLARITY66	40W (600X600) WHITE TROFFER	3700	92	4K	IP20
CLARITY126	50W (1200X600) WHITE TROFFER	5300	106	4K	IP20
CLARITY123	40W (1200X300) WHITE TROFFER	4100	102	4K	IP20

/SATEM3
/DALI

SATURN UNIVERSAL EMERGENCY PACK
ADD **/DALI** TO THE END OF ANY PRODUCT CODES FOR DALI DIMMABLE

Powered by **TRIDONIC**

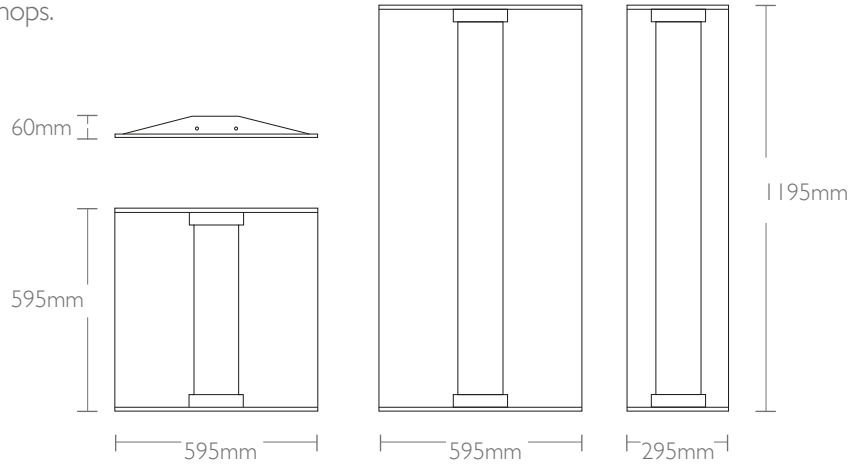
INFINITY

LED TROFFER

Our LED troffer panels have been designed and manufactured using the latest LED technology and components to offer a stylish solution. They provide savings over traditional fittings through their simplicity and ease of installation. Often installed in commercial environments such as offices, meeting rooms and shops.

Key Features

- 50,000 hour lifespan
- IP20
- Matt white diffuser
- Anodised aluminium frame
- Emergency option available
- Zero maintenance



PRODUCT CODE

DESCRIPTION

PRODUCT CODE	DESCRIPTION	LUMEN OUTPUT	LUMEN/WATT	COLOUR TEMP	IP RATING
INFINITY66	34W (600X600) WHITE TROFFER	3400	92	4K	IP20
INFINITY126	50W (1200X600) WHITE TROFFER	5500	110	4K	IP20
INFINITY123	34W (1200X300) WHITE TROFFER	3400	101	4K	IP20

/SATEM3
/DALI

SATURN UNIVERSAL EMERGENCY PACK
ADD /DALI TO THE END OF ANY PRODUCT CODES FOR DALI DIMMABLE

Powered by **TRIDONIC**

- FIVE YEAR WARRANTY**
- IP20**
- DALI DIMMABLE AVAILABLE**
- EMERGENCY AVAILABLE**



AXIS

LED FIRE RATED DOWNLIGHTS

With a newly developed, sleek design, Axis LEDs have been independently fire tested for 30, 60 and 90 minutes. Axis is one of the few downlights on the market which does not use an intumescent material. Complete with loop-in loop-out push-fit terminals, this fire rated downlight gives a true halogen appearance.

Key Features

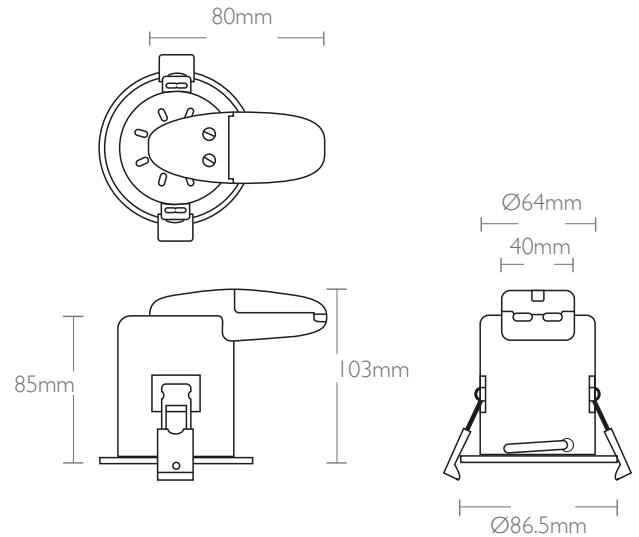
- 30,000 hour lifespan
- IP65
- 6W dimmable LED Downlight
- 30, 60 and 90-minutes fire rating
- Loop-in / loop-out push terminals
- 38° beam angle
- UKAS accredited and tested
- Range of diecast attachments available
- Tested to BS476

5 FIVE YEAR WARRANTY

IP
65

FIRE
RATED

BEAM
38°



PRODUCT CODE

DESCRIPTION

PRODUCT CODE	DESCRIPTION	LUMEN OUTPUT	LUMEN/ WATT	CUT OUT	COLOUR TEMP	IP RATING
AXIS/5W/WW	5W DIMMABLE FIRE RATED W/W WHITE TRIM	550	110	ø67mm	3K	IP65
AXIS/5W/CW	5W DIMMABLE FIRE RATED C/W WHITE TRIM	550	110	ø67mm	4K	IP65

ACCESSORIES

DESCRIPTION

AXIS/LED/MWHTO
AXIS/LED/MBKHTO
AXIS/LED/SCHTO
AXIS/LED/CHTO

MATT WHITE TRIM ONLY
MATT BLACK TRIM ONLY
SATIN CHROME TRIM ONLY
CHROME TRIM ONLY





AXIS GU10

GU10 FIRE RATED DOWNLIGHTS

With a newly developed, sleek design, Axis GU10 have been independently fire tested for 30, 60 and 90 minutes. Axis is one of the few downlights on the market which does not use an intumescent material. Complete with loop-in loop-out push-fit terminals and a reflector, when paired with Saturn LED's Relo Lamp gives a true halogen appearance.

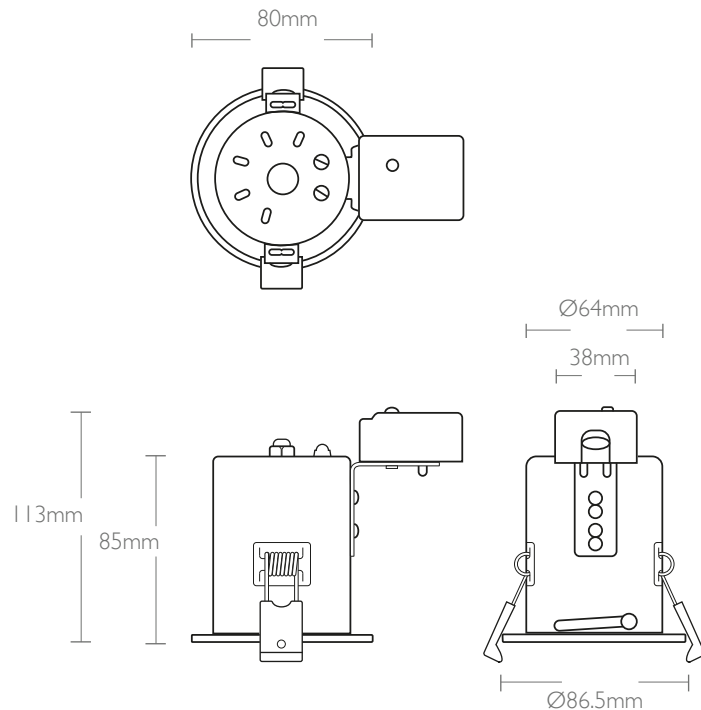
Key Features

- IP65
- GU10 fire rated
- 30, 60 and 90-minutes fire rating
- Loop-in / loop-out push terminals
- UKAS accredited and tested
- Range of diecast attachments available
- Tested to BS476

5 FIVE YEAR WARRANTY

IP
65

FIRE
RATED



PRODUCT CODE

DESCRIPTION

PRODUCT CODE	DESCRIPTION	CUT OUT	IP RATING
AXIS/GU10/WH	AXIS GU10 FIRE RATED DOWNLIGHT C/W WHITE TRIM	ø70mm	IP65

ACCESSORIES

DESCRIPTION

AXIS/MWHTO	MATT WHITE TRIM ONLY
AXIS/MBKTO	MATT BLACK TRIM ONLY
AXIS/SCHTO	SATIN CHROME TRIM ONLY
AXIS/CHTO	CHROME TRIM ONLY

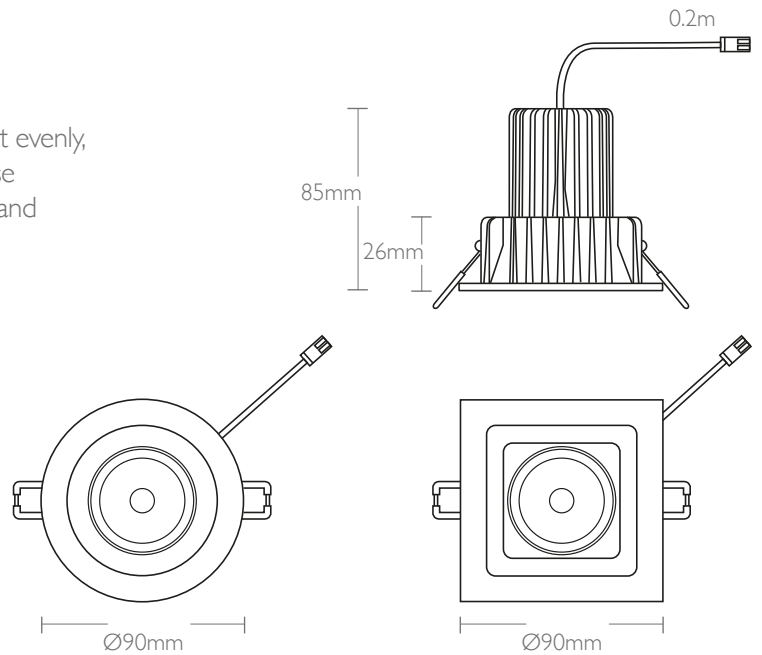
ANTI G

ANTI GLARE LED DOWNLIGHTS

Our technology uses a unique lens that distributes the light evenly, whilst at the same time eliminating the LED glare. For those looking for a sleek anti glare downlight. Great for kitchens and livingrooms.

Key Features

- 30,000 hour lifespan
- IP20
- Matt white
- High power Cree COB
- Dimmable
- Round or square available
- Tiltable



PRODUCT CODE

DESCRIPTION

		LUMEN OUTPUT	LUMEN/ WATT	CUT OUT	COLOUR TEMP	IP RATING	CRI
ANTIG/8W/SQ/CW	8W DIMMABLE SQUARE/ COOL WHITE	550	68	ø75mm	4K	IP20	RA80
ANTIG/8W/SQ/WW	8W DIMMABLE SQUARE/ WARM WHITE	480	60	ø75mm	3K	IP20	RA80
ANTIG/8W/RO/CW	8W DIMMABLE ROUND/ COOL WHITE	550	68	ø75mm	4K	IP20	RA80
ANTIG/8W/RO/WW	8W DIMMABLE ROUND/ WARM WHITE	480	60	ø75mm	3K	IP20	RA80



5 FIVE YEAR WARRANTY

IP 20

DALI DIMMABLE AVAILABLE

BEAM 38°



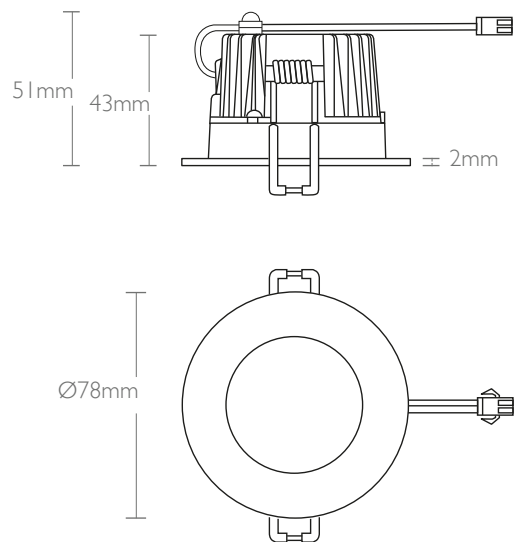
EVO

LED DOWNLIGHTS

Evo LED downlights are the ideal alternative to traditional downlights, and come complete with and optical diffuser to reduce glare.

Key Features

- 30,000 hour lifespan
- IP20
- Matt white
- 4.5W and 7W available
- Opal diffuser
- Complete with driver



PRODUCT CODE

DESCRIPTION

		LUMEN OUTPUT	LUMEN/ WATT	CUT OUT	COLOUR TEMP	IP RATING	CRI	DIMMABLE
EVO4.5W/WW	4.5W DOWNLIGHT WARM WHITE	430	95	ø65mm	4K	IP20	RA80	No
EVO4.5W/CW	4.5W DOWNLIGHT COOL WHITE	430	95	ø65mm	4K	IP20	RA80	No
EVO7W/D/WW	7W DOWNLIGHT WARM WHITE	550	78	ø65mm	4K	IP20	RA80	Yes
EVO7W/D/CW	7W DOWNLIGHT COOL WHITE	550	78	ø65mm	4K	IP20	RA80	Yes



7W



4.5W





NYLA

LED TAPE

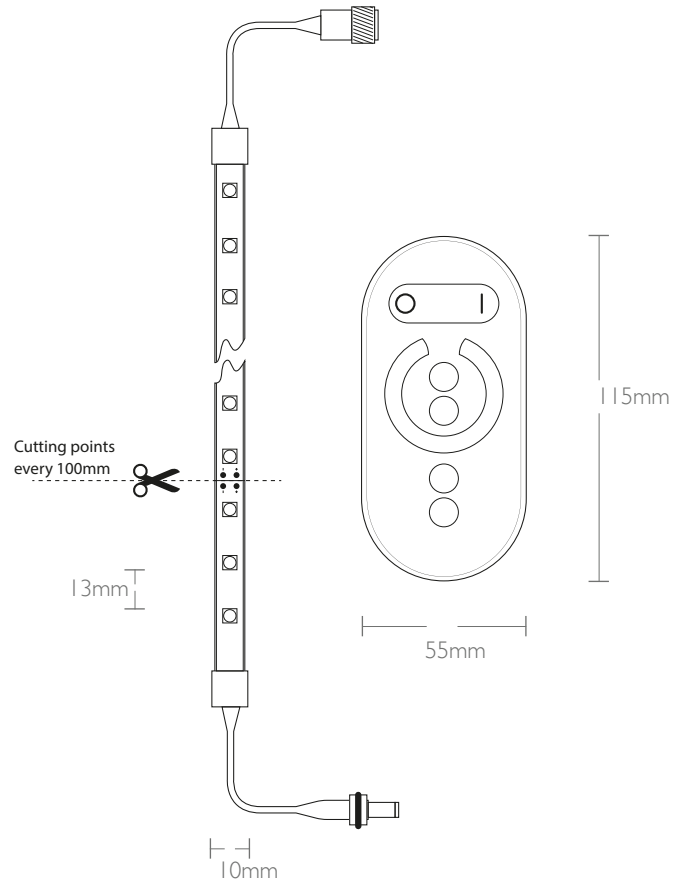
This Flexible LED strip is energy-efficient and adaptable with an adhesive backing. Ideal for kitchens, bookcases and soffits. Remotely controlled for mood lighting.

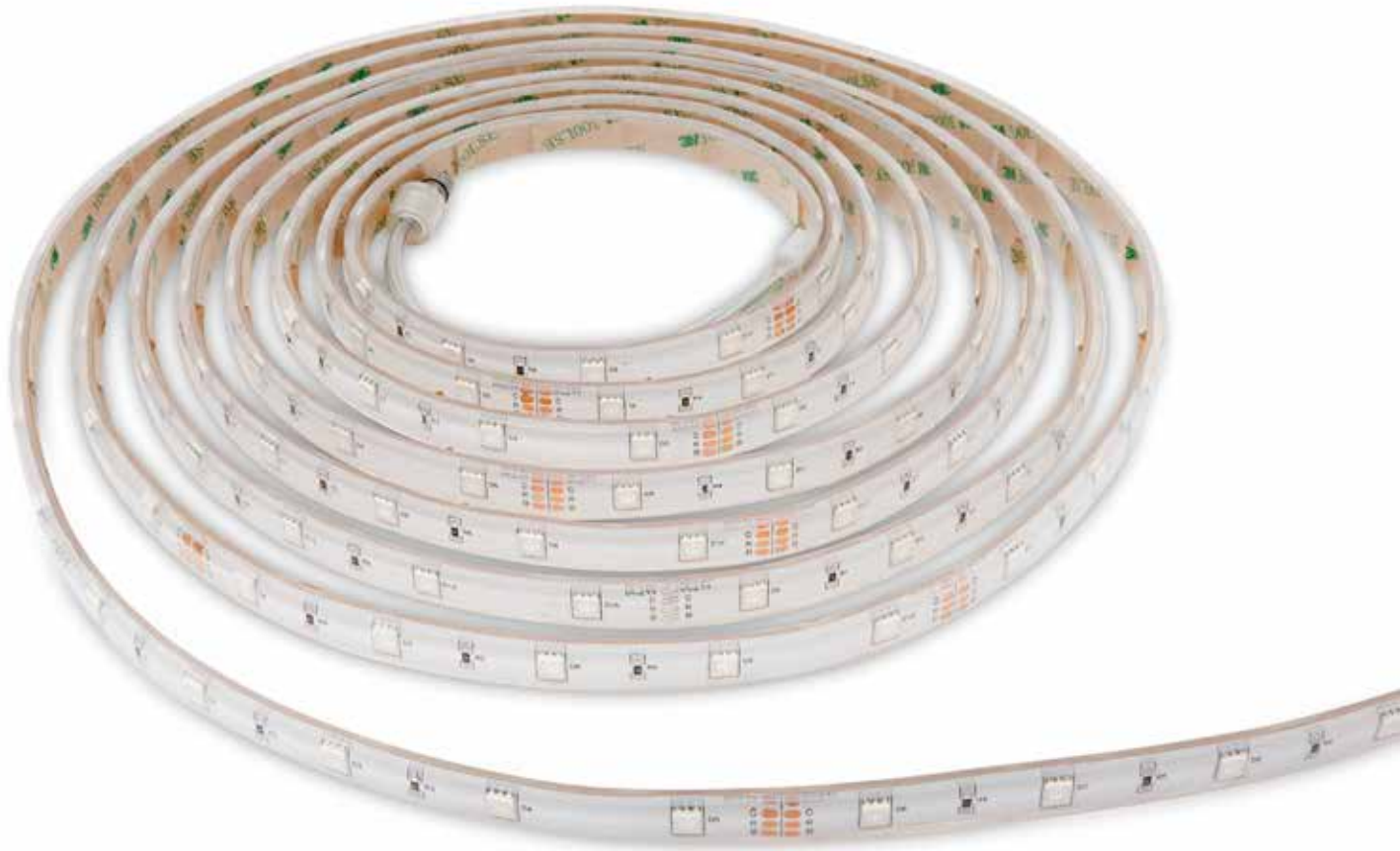
Key Features

- 30,000 hour lifespan
- IP67
- Remotely controlled dimmable
- RGB, cool and warm white available
- 5 metre kits
- Plug and play

5 FIVE YEAR WARRANTY

IP
67





PRODUCT CODE

DESCRIPTION

PRODUCT CODE	DESCRIPTION	VOLTAGE	LUMEN/ WATT	COLOUR TEMP	IP RATING
NYLA/5M/WW	NYLA 5M 4.8W/M KIT C/W 60W DRIVER & CONTROLLER WARM WHITE 3M TAPE	24	60	3K	IP67
NYLA/5M/WW/EXT	NYLA 5M 4.8W/M EXTENSION WARM WHITE 3M TAPE	24	60	3K	IP67
NYLA/5M/CW	NYLA 5M 4.8W/M KIT C/W 60W DRIVER & CONTROLLER COOL WHITE 3M TAPE	24	60	4K	IP67
NYLA/5M/CW/EXT	NYLA 5M 4.8W/M EXTENSION COOL WHITE 3M TAPE	24	60	4K	IP67
NYLA/5M/RGB	NYLA 5M 7.2W/M KIT DRIVER & CONTROLLER RGB 3M TAPE	24	60	RGB	IP67

UNI CURVE

LUMINAIRES

Perfect for education and commercial projects, Uni Curve is the complete package. This range offers a surface mounted LED luminaire complete with polycarbonate diffuser, screw-end caps and Osram control gear.

Key Features

- 50,000 hour lifespan
- IP44
- Polycarbonate diffuser cover
- Screwed endcaps
- Emergency and dimmable options available



 **SATURNLED.EU[®]**

Intelligent Lighting



PRODUCT CODE

DESCRIPTION

		LENGTH	LUMEN OUTPUT	LUMEN/ WATT	COLOUR TEMP	IP RATING
UNI50W	UNI 50W 4200LM 1200MM CURVE	1200	4200	84	4K	IP44
UNI70W	UNI 70W 5400LM 1500MM CURVE	1500	5600	80	4K	IP44

/EM3
/DALI

ADD /EM3 TO THE END OF ANY PRODUCT CODES FOR EMERGENCY
ADD /DALI TO THE END OF ANY PRODUCT CODES FOR DIMMING

Powered by **TRIDONIC**

PRINCIPAL

SPORTS HALL LOWBAYS

Offering an excellent entry level lumen package that is also rated at IP20, Principal LED lowbays are the perfect solution to school sports halls and industrial applications. Wire guard and clear cover options available.

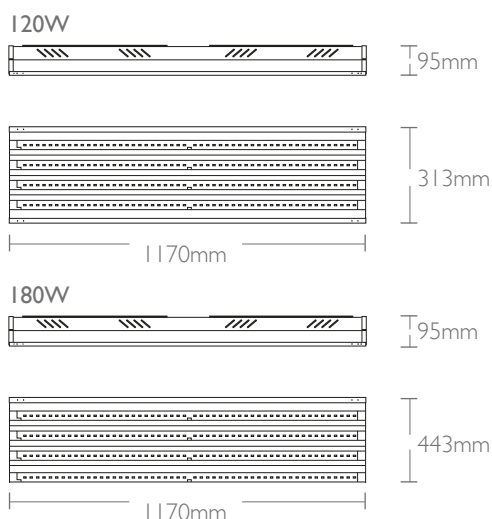
Key Features

- 50,000 hour lifespan
- IP20
- Osram driver
- Lowbay warehouse application
- 2m pre-wired flex



 **SATURNLED.EU**[®]

Intelligent Lighting



PRODUCT CODE

DESCRIPTION

PRODUCT CODE	DESCRIPTION	LUMEN OUTPUT	LUMEN/WATT	COLOUR TEMP	IP RATING
PRIN 120W	PRINCIPAL 120W LED LOWBAY	12533	102	5K	IP20
PRIN 180W	PRINCIPAL 180W LED LOWBAY	18096	105	5K	IP20

ACCESSORIES

DESCRIPTION

PRIN 120W/WG	PRINCIPAL WIREGUARD TO SUIT 120W
PRIN 180W/WG	PRINCIPAL WIREGUARD TO SUIT 180W
PRIN 120W/CC	PRINCIPAL CLEAR COVER TO SUIT 120W
PRIN 180W/CC	PRINCIPAL CLEAR COVER TO SUIT 180W

DYNAMO

LED BATTENS

Dynamo LED batten is a unique Saturn LED design replacement for traditional fluorescent pop packs. Available in standard and high output versions to replace single and twin.

Key Features

- 50,000 hour lifespan
- IP20
- Slim modern design
- Emergency option available
- Traditional Fixing Points



FIVE YEAR
WARRANTY



IP
20



DALI DIMMABLE
AVAILABLE

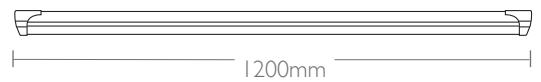


EMERGENCY
AVAILABLE

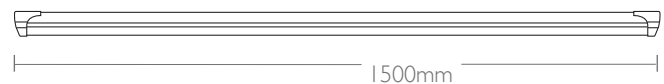


MICROWAVE
SENSOR AVAILABLE

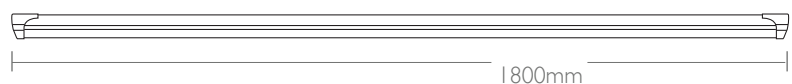
56.6mm
65mm



56.6mm
65mm



56.6mm
65mm



PRODUCT CODE

DESCRIPTION

PRODUCT CODE	DESCRIPTION	LUMEN OUTPUT	LUMEN/WATT	COLOUR TEMP	IP RATING
DYNAMO/1200/2500	1200M 25W 2500LM 4000K LED BATTEN	2500	100	4K	IP20
DYNAMO/1200/5200	1200M 50W 5200LM 4000K LED BATTEN	5200	100	4K	IP20
DYNAMO/1500/3500	1200M 35W 3500LM 4000K LED BATTEN	3500	100	4K	IP20
DYNAMO/1500/6600	1200M 65W 6600LM 4000K LED BATTEN	6600	100	4K	IP20
DYNAMO/1800/4300	1800M 43W 4300LM 4000K LED BATTEN	4300	100	4K	IP20
DYNAMO/1800/8000	1800M 80W 8000LM 4000K LED BATTEN	8000	100	4K	IP20

/EM3
/MWS
/DALI

ADD **/EM3** TO THE END OF ANY PRODUCT CODES FOR EMERGENCY
ADD **/MWS** TO THE END OF ANY PRODUCT CODES FOR MICROWAVE SENSOR
ADD **/DALI** TO THE END OF ANY PRODUCT CODES FOR DIMMING

Powered by **TRIDONIC**



 **SATURNLED.EU**[®]

Intelligent Lighting



BREEN

LED LIGHTING

This stylish office fitting will dramatically improve both the light and light levels. It is ideal for upgrading existing lighting and will give an aesthetically pleasing, patented unique design.



FIVE YEAR
WARRANTY



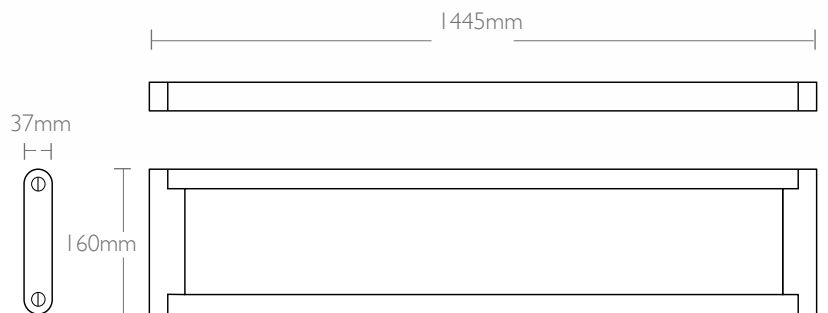
IP
20



DALI DIMMABLE
AVAILABLE

Key Features

- 30,000 hour lifespan
- Linkable lighting offers ease of installation
- Patented design offers simplicity and smooth light distribution
- IP20
- Silver finish



PRODUCT CODE

DESCRIPTION

PRODUCT CODE	DESCRIPTION	LUMEN OUTPUT	LUMEN/WATT	COLOUR TEMP	CRI	IP RATING
BREEN/50W/4K	BREEN 50W 1500MM	4350	87	4K	80	IP20



 **SATURNLED.EU[®]**

Intelligent Lighting

INTACT

LED LIGHTING IP67

A slender line fittings with a modern design. Perfect for enhancing any commercial environment.

Key Features

- 30,000 hour lifespan
- Fit and forget
- Extruded aluminium housing
- Patented design offers simplicity and smooth light distribution
- IK7 - IP67
- Suspended or flush mounting
- Silver finish



FIVE YEAR
WARRANTY



IP
67



DALI DIMMABLE
AVAILABLE



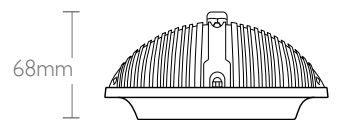
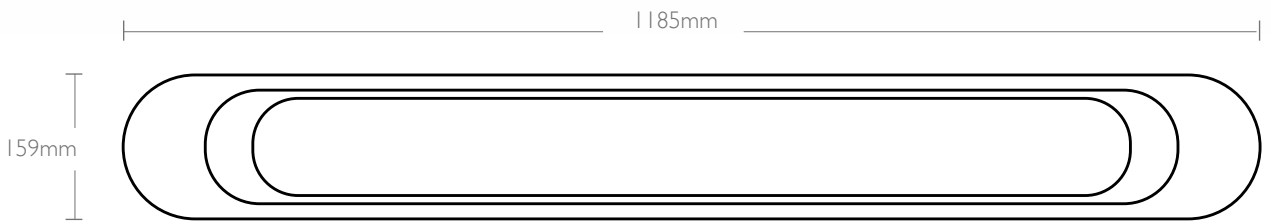
 **SATURNLED.EU**[®]

Intelligent Lighting

PRODUCT CODE

DESCRIPTION

		LUMEN OUTPUT	LUMEN/ WATT	COLOUR TEMP	CRI	IP RATING
INTACT45W	45W 200MM FITTING	3000	67	4K	80	IP67
INTACT70W	70W 200MM FITTING	4700	67	4K	80	IP67



ECLIPSE

LED LIGHTING

The stylish Eclipse fitting suitable for contemporary office spaces. Perfect for enhancing any commercial environment. Excellent optical design, direct and indirect light distribution design with lower UGR makes light more soft and impressive.

Key Features

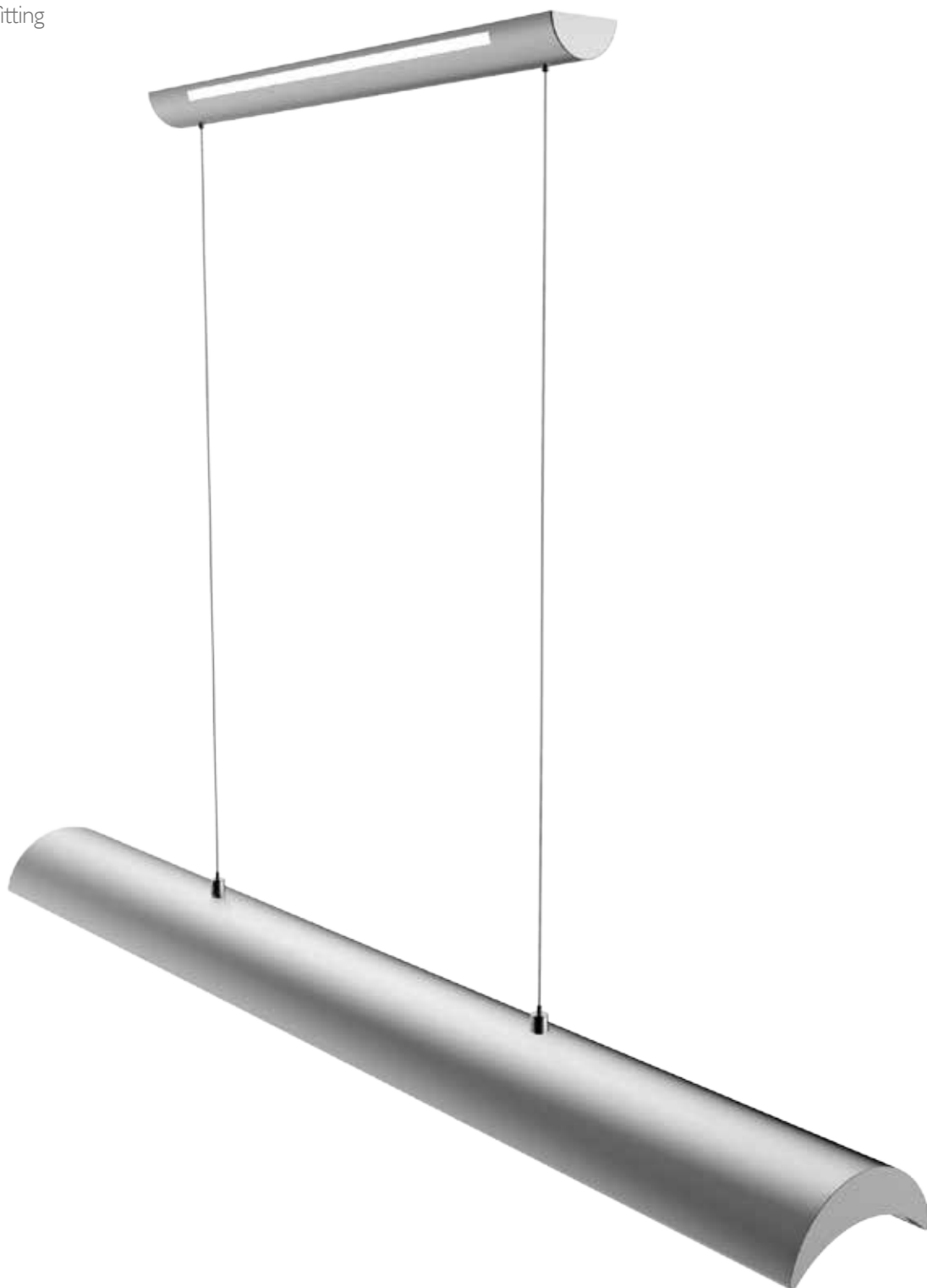
- 50,000 hour lifespan
- IP20
- Suspended ceiling fitting
- Linkable

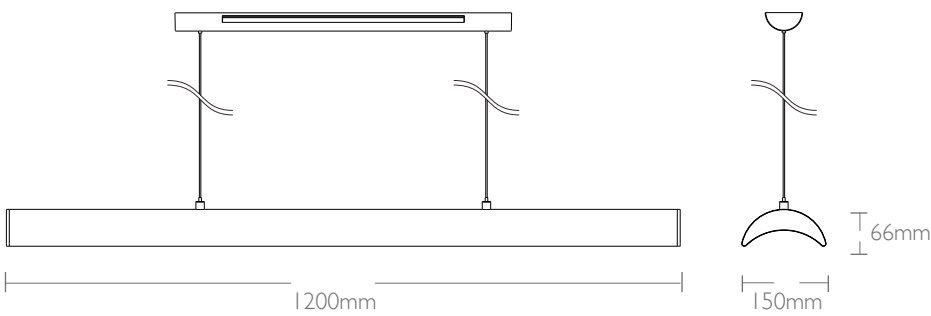
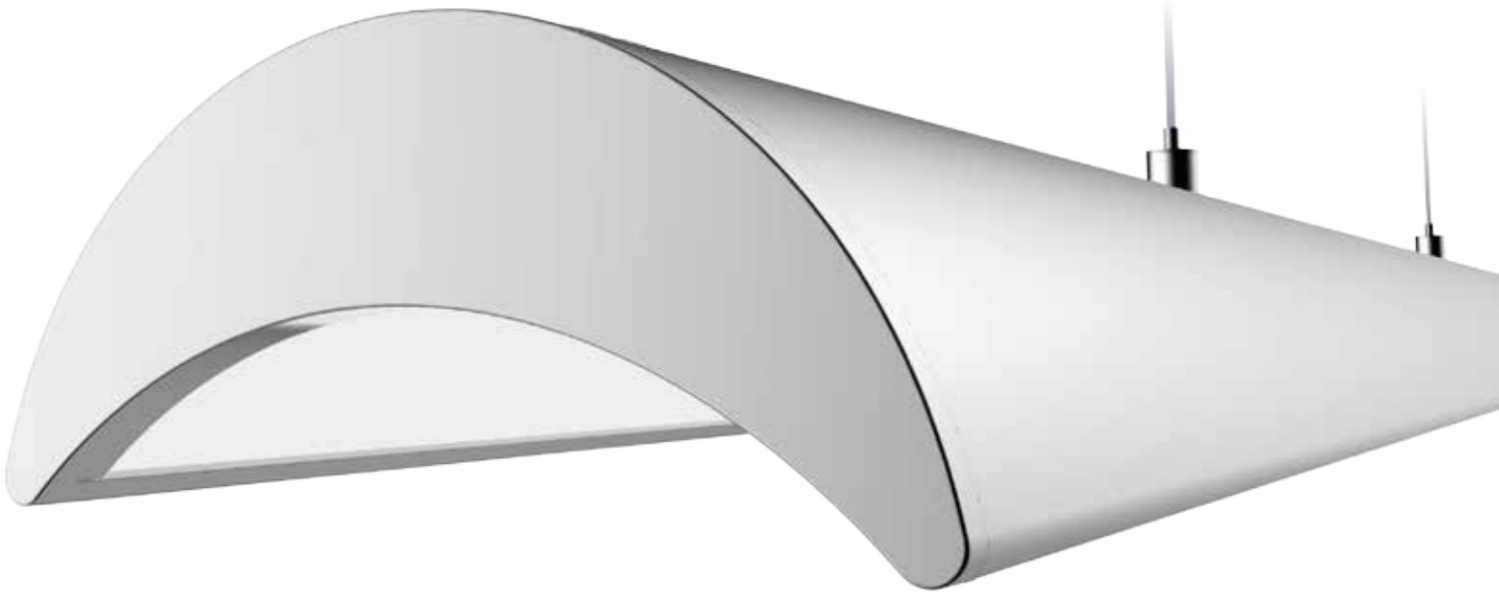
5 FIVE YEAR
WARRANTY

IP
20

DALI DIMMABLE
AVAILABLE

EMERGENCY
AVAILABLE





PRODUCT CODE

DESCRIPTION

		LUMEN OUTPUT	LUMEN/WATT	COLOUR TEMP	IP RATING
ECLI35	ECLIPSE 35W LED LINEAR LIGHT	2975	80	4K	IP20

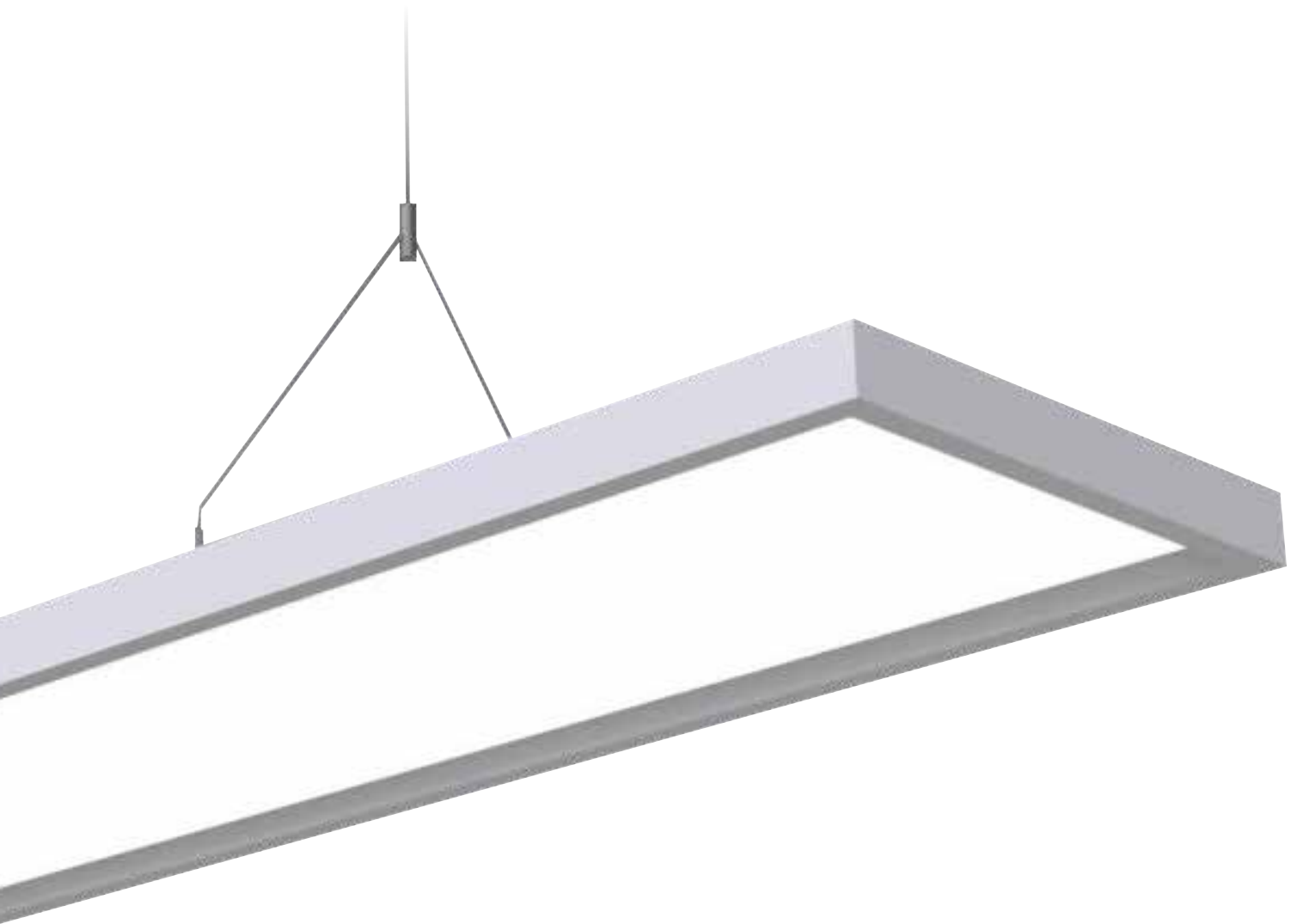
TAO ONE

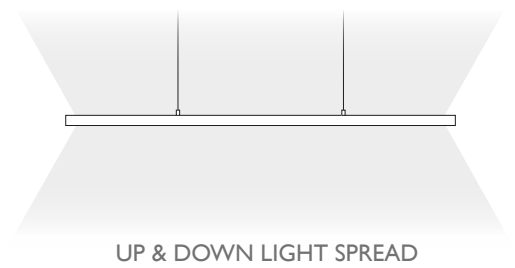
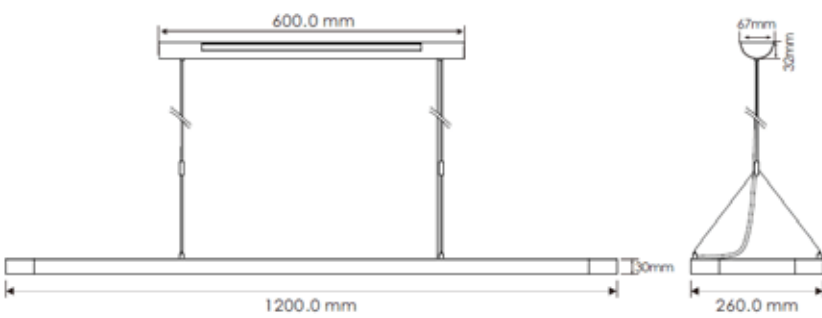
LED LIGHTING

Combining simple installation with a high level of performance, the tao is perfect for all commercial purposes. Upwards and downwards lighting with impressive light uniformity.

Key Features

- 50,000 hour lifespan
- UGR < 16
- Suspended ceiling fitting





PRODUCT CODE

DESCRIPTION

PRODUCT CODE	DESCRIPTION	LUMEN OUTPUT	LUMEN/WATT	COLOUR TEMP	IP RATING
TAOONE	TAO 20W UP 40W DOWN SUSPENDED OFFICE LIGHT	1700 UP/ 3400 DOWN	90	4K	20

TAO TWO

LED LIGHTING

Combining simple installation with a high level of performance, the tao is perfect for all commercial purposes. Upwards and downwards lighting with impressive light uniformity.

Key Features

- 50,000 hour lifespan
- Wall mounted fitting
- Dali dimmable available
- UGR < 17
- Easy install



FIVE YEAR
WARRANTY

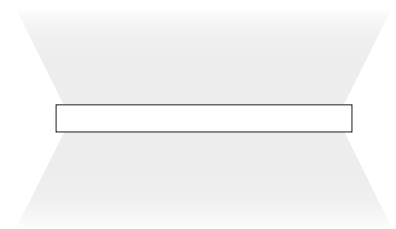
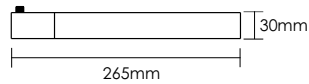
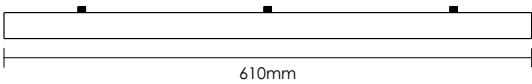
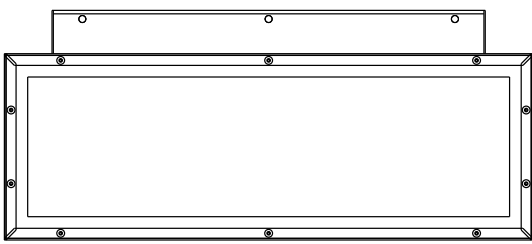
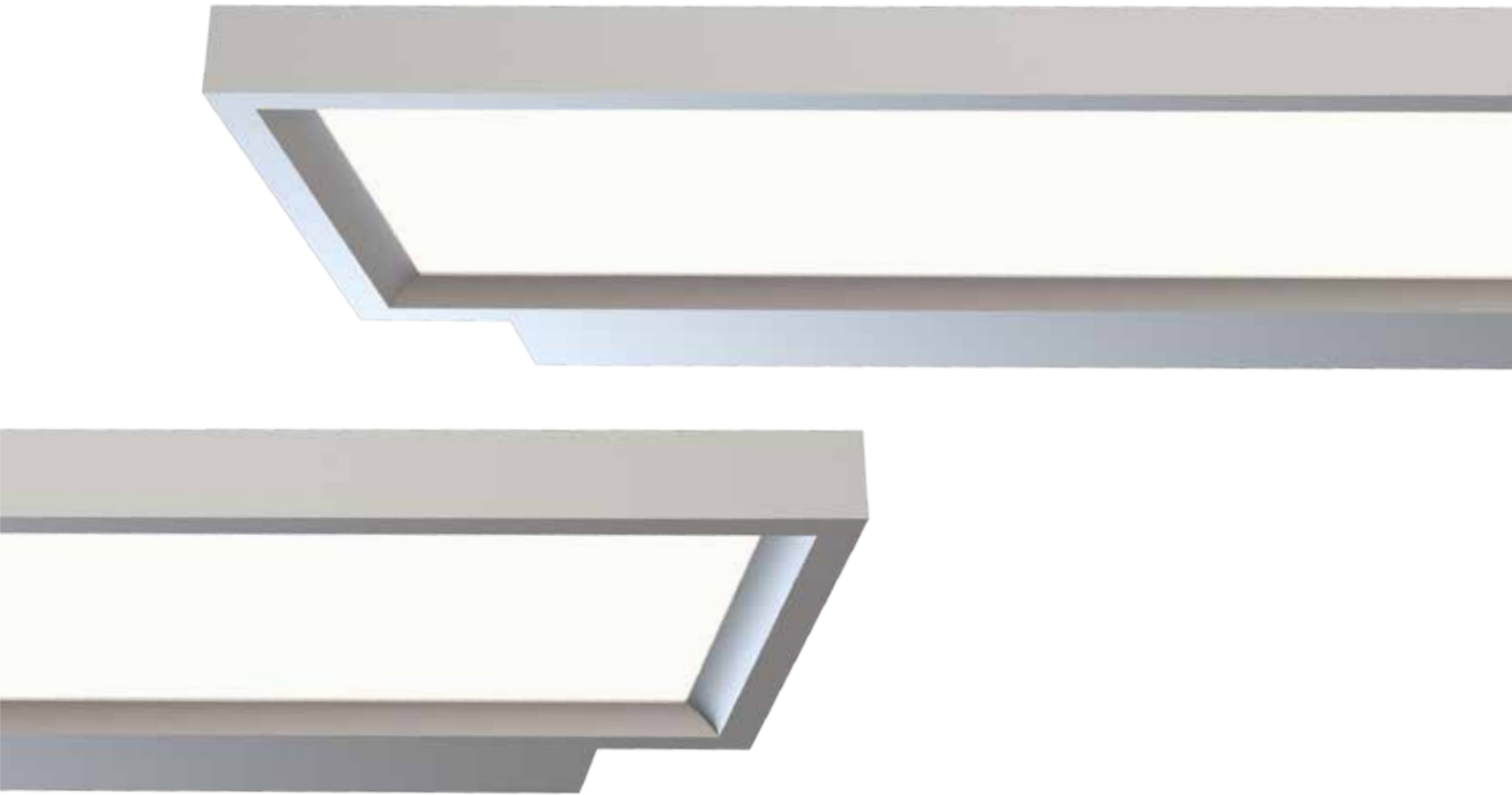


IP
20



DALI DIMMABLE
AVAILABLE





UP & DOWN LIGHT SPREAD

PRODUCT CODE

DESCRIPTION

		LUMEN OUTPUT	LUMEN/WATT	COLOUR TEMP	IP RATING
TAOTWO	TAO 20W UP 20W DOWN WALL MOUNTED	2000 UP/ 2000 DOWN	100	4K	20

TAO THREE

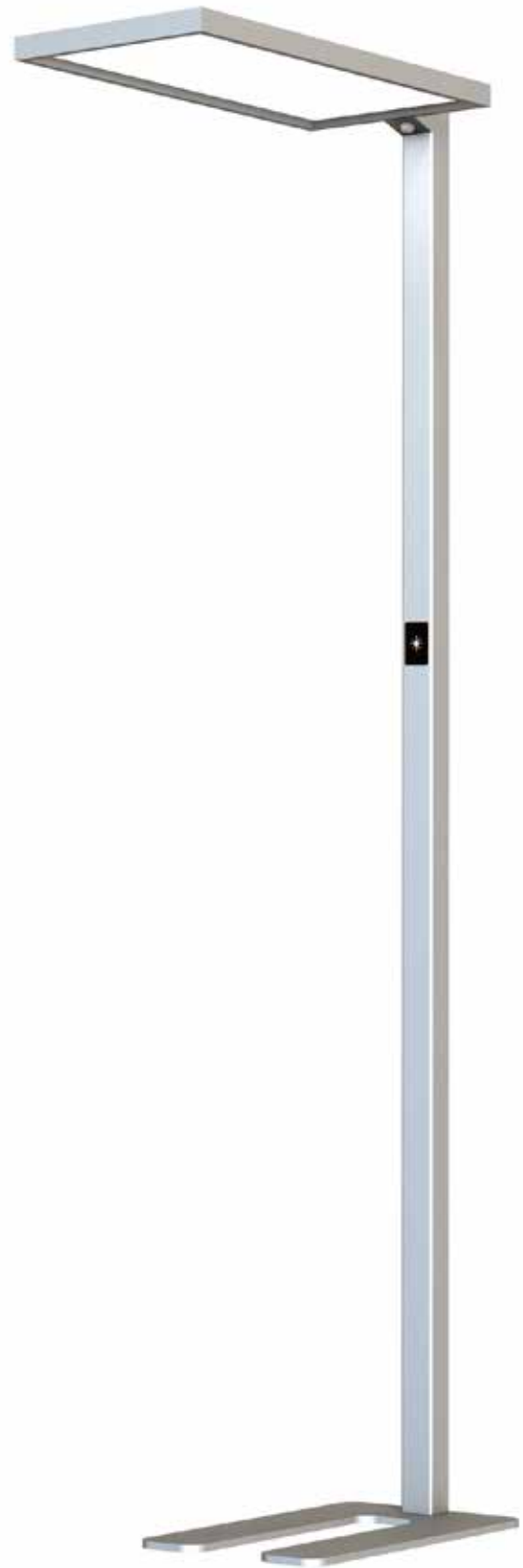
LED LIGHTING

The Tao compact and exquisite self standing up/down is perfect for all commercial purposes. Upwards and downwards lighting with impressive light uniformity.

Key Features

- 50,000 hour lifespan
- Self standing
- UGR < 19





PRODUCT CODE

DESCRIPTION

		LUMEN OUTPUT	LUMEN/WATT	COLOUR TEMP	IP RATING
TAO THR	TAO 20W UP 20W DOWN WALL MOUNTED	2000 UP/ 2000 DOWN	100	4K	20

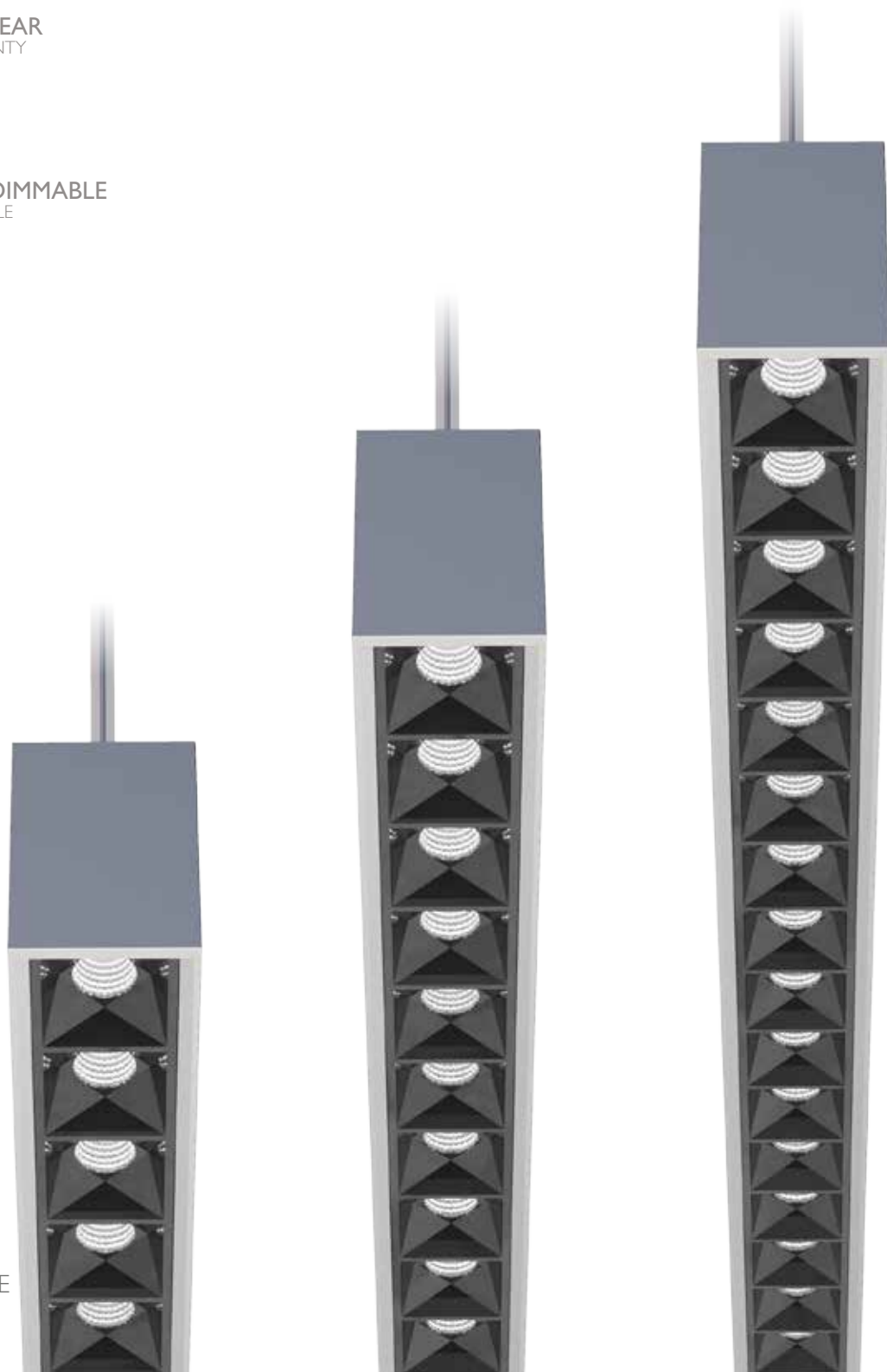
STATUS ONE

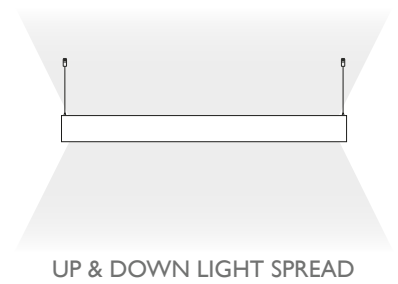
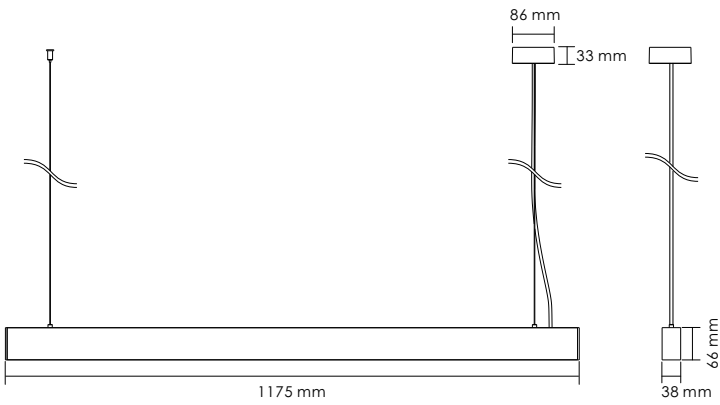
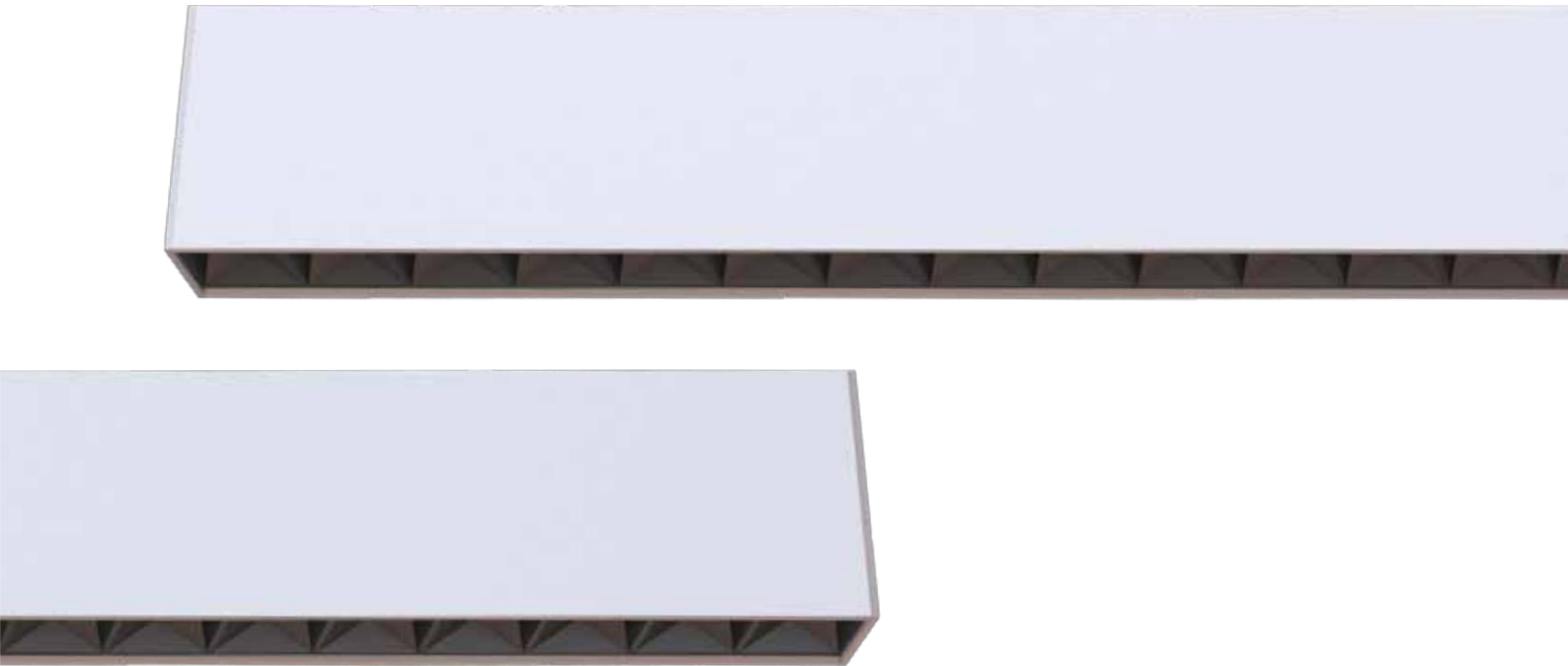
LED LIGHTING

Our Status UGR < 6 luminaires your perfect liner office or school fitting.
With one wiring point you can easily link up to 15 luminaires

Key Features

- 50,000 hour lifespan
- Suspended
- Dali dimmable
- UGR < 6
- Up and down light
- Linkable





PRODUCT CODE

DESCRIPTION

PRODUCT CODE	DESCRIPTION	LUMEN OUTPUT	LUMEN/WATT	COLOUR TEMP	IP RATING
STA50	50W STATUS UP/DOWN 1175mm	3250 UP/ 3250 DOWN	130	4K	IP20

STATUS TWO

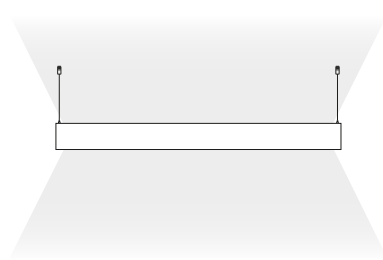
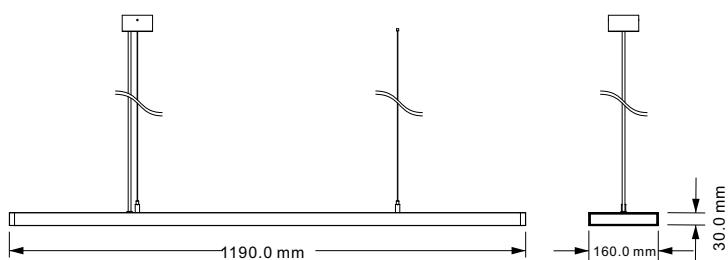
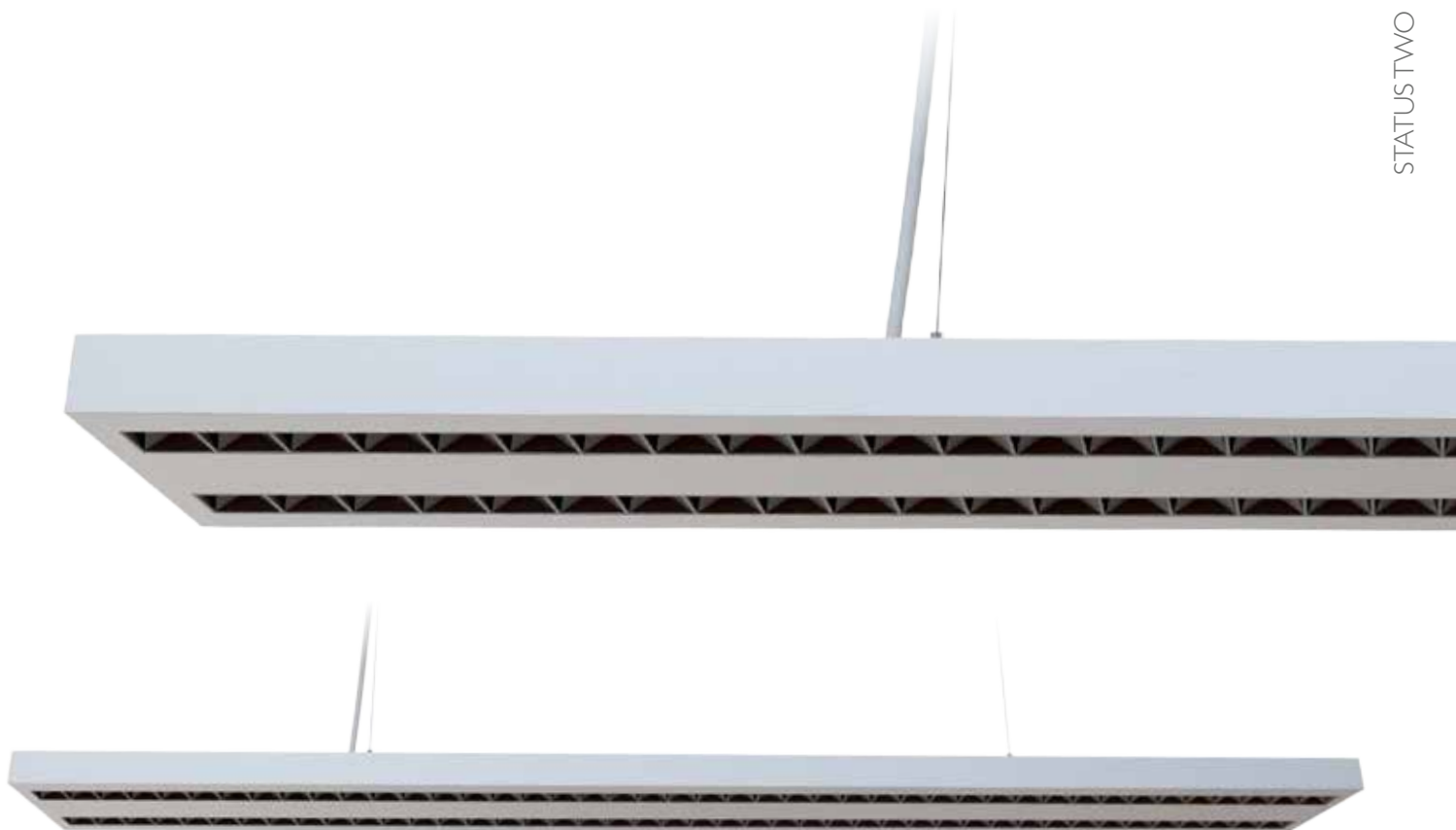
LED LIGHTING

The Stratus two is a perfect linear office or school fitting.
With one wiring point you can easily link up to 15 luminaires

Key Features

- 50,000 hour lifespan
- Suspended
- Dali dimmable
- UGR < 13
- Up and down lighting
- Linkable





UP & DOWN LIGHT SPREAD

PRODUCT CODE

DESCRIPTION

STA60

60W STATUS TWO | 1190mm

LUMEN
OUTPUT

LUMEN/
WATT

COLOUR
TEMP

IP
RATING

**3900 UP/
3900 DOWN**

130

4K

IP20

STATUS THREE

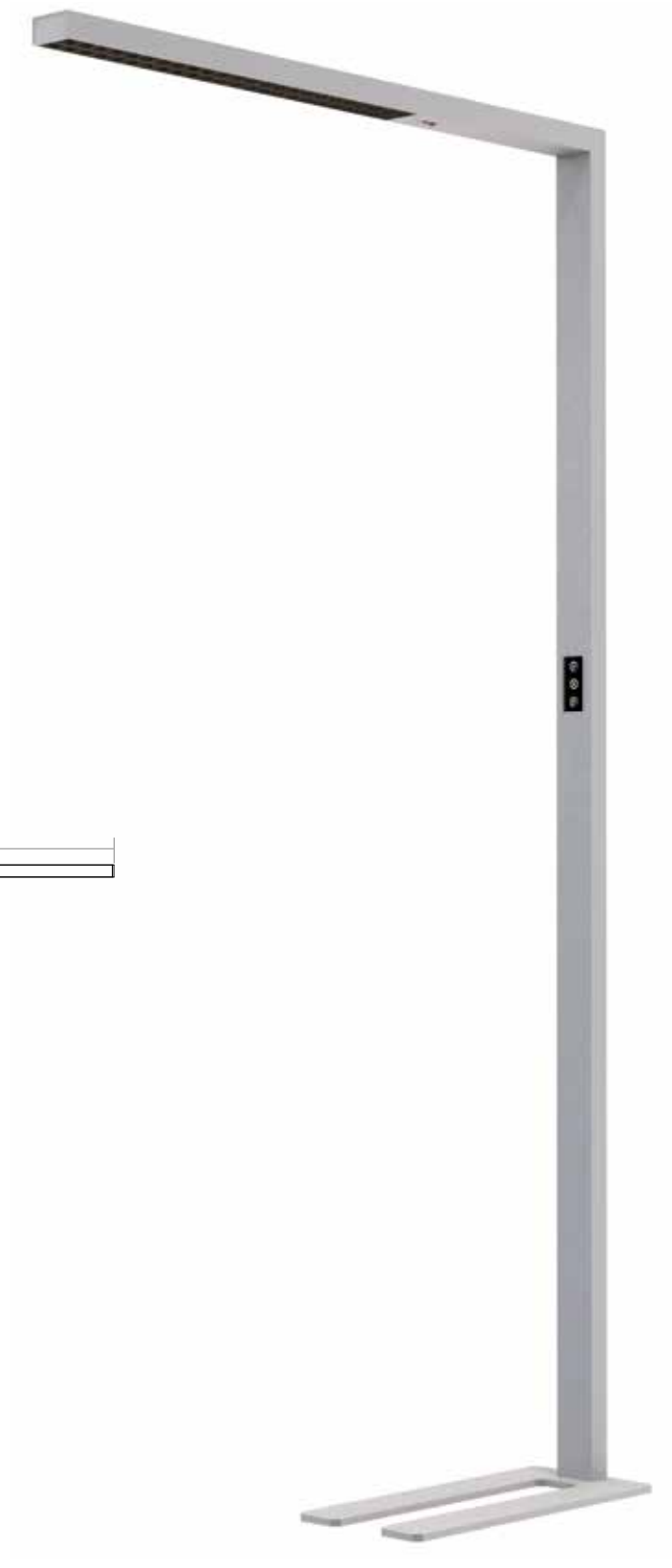
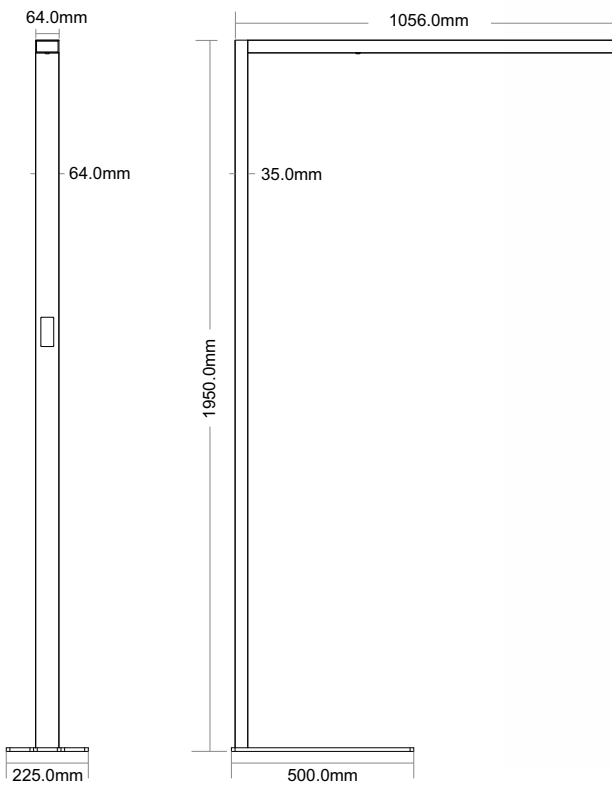
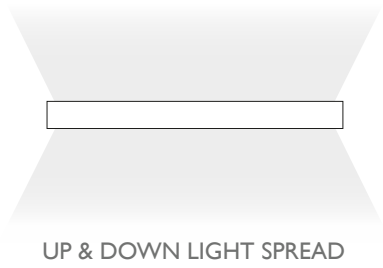
LED LIGHTING

Our Status Three UGR < 6 luminaires your perfect stand alone office or school fitting.

Key Features

- 50,000 hour lifespan
- Dali dimmable
- UGR < 6
- Stand alone





PRODUCT CODE

DESCRIPTION

PRODUCT CODE	DESCRIPTION	LUMEN OUTPUT	LUMEN/WATT	COLOUR TEMP	IP RATING
STA80	80W STATUS SELF STANDING LAMP	7800 UP/ 2600 DOWN	95	4K	IP20

BRUNO

LED LIGHTING

Combining simple installation with a high level of performance, the Bruno Linkable range can be combined into a chain to create a seamless, continuous flow of light. Available in either surface-mounted and suspended options, the Bruno Linkable offers an aesthetically-pleasing finish.

Key Features

- 30,000 hour lifespan
- Fit and forget
- Extruded aluminium housing
- Suspended or surface mounting
- Linkable





PRODUCT CODE

DESCRIPTION

PRODUCT CODE	DESCRIPTION	LUMEN OUTPUT	LUMEN/WATT	COLOUR TEMP	IP RATING
BRUNO 40W	40W LINKABLE/SUSPENDED FIXTURE	3800	95	4K	IP20

ASTRO

UNDER CABINET LIGHTS

Our LED strip lights can be linked together by using a connector supplied in the pack or joined together. They are designed for fitting neatly under cabinets. The ideal fit-and-forget solution for fluorescent replacement, the astro under cabinet set comes in a pack of 3 with an easy to use plug and play system. Stylish, sleek and slim. They can also be recessed if required.

Key Features

- 30,000 hour lifespan
- IP20
- Opal diffuser
- Linkable
- Switched



PRODUCT CODE

DESCRIPTION

		LUMEN OUTPUT	LUMEN/WATT	COLOUR TEMP	IP RATING
ASTRO5	5W 221MM LINK LIGHT	300	67	4K	IP20
ASTRO7	7W 299MM LINK LIGHT	480	74	4K	IP20
ASTRO11	11W 558MM LINK LIGHT	840	80	4K	IP20
ASTRO15	15W 901MM LINK LIGHT	1200	83	4K	IP20
ASTRO19	19W 1156MM LINK LIGHT	1680	88	4K	IP20
ASTROLINK	ASTRO 1.0M LINK LEAD	-	-	-	-
ASTROKIT	ASTRO 3X3 KIT C/W DRIVER	300	100	4K	IP20



LED LINK LIGHTS



CABINET LIGHTS

SALFORD

DESK LIGHT

The Salford desk light is a wall mounted adjustable led luminaire designed for reading and desk work purposes with aluminium body and frosted glass diffuser.

Key Features

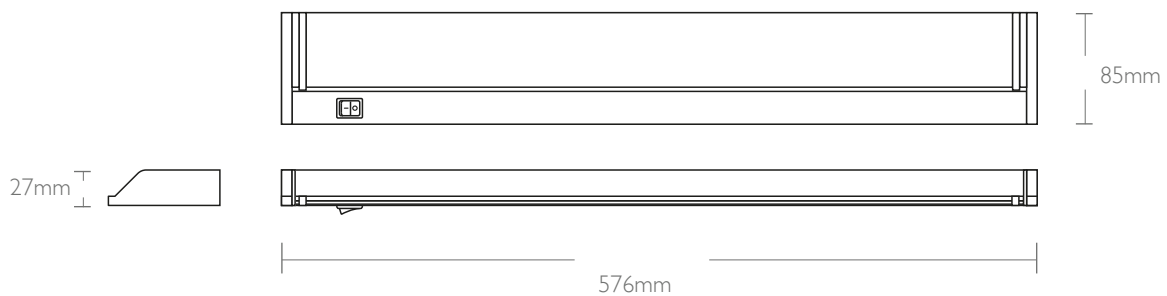
- 30,000 hour lifespan
- IP20
- Frosted glass diffuser
- Switched



FIVE YEAR
WARRANTY



IP
20



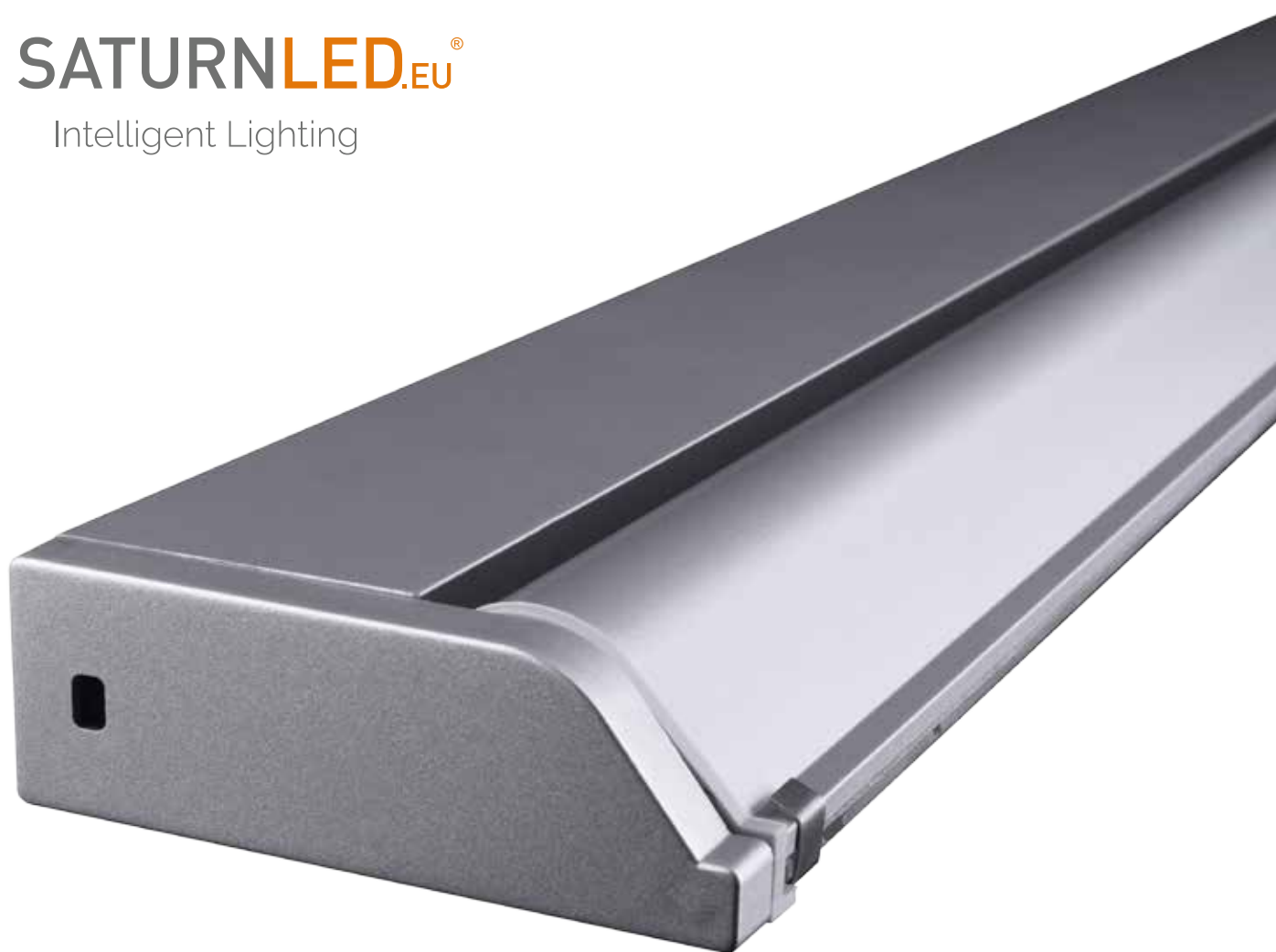
PRODUCT CODE

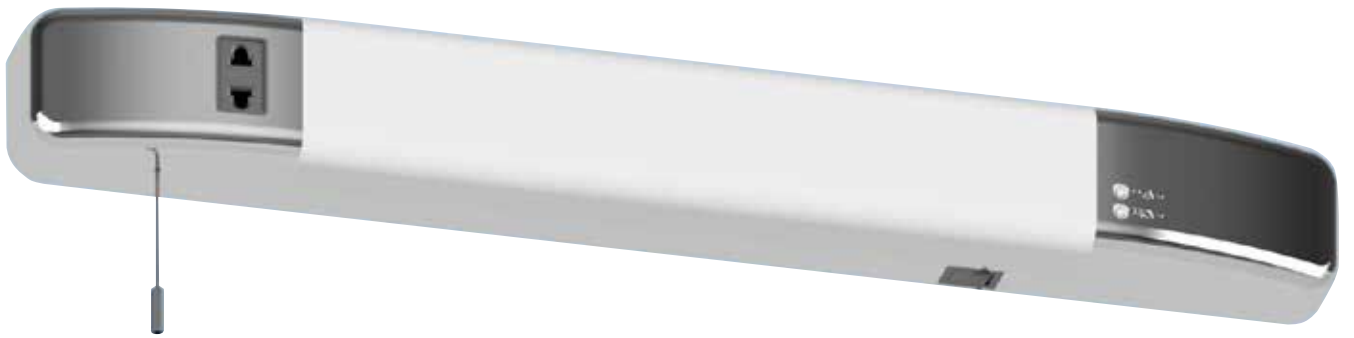
DESCRIPTION

		LUMEN OUTPUT	LUMEN/ WATT	COLOUR TEMP	IP RATING
SALF133K	SALFORD 13W ADJUSTABLE DESK LIGHT 3000K	1100	84	3K	IP20
SALF134K	SALFORD 13W ADJUSTABLE DESK LIGHT 4000K	1100	84	4K	IP20



 **SATURNLED.EU[®]**
Intelligent Lighting





 **SATURNLED.EU**[®]
Intelligent Lighting

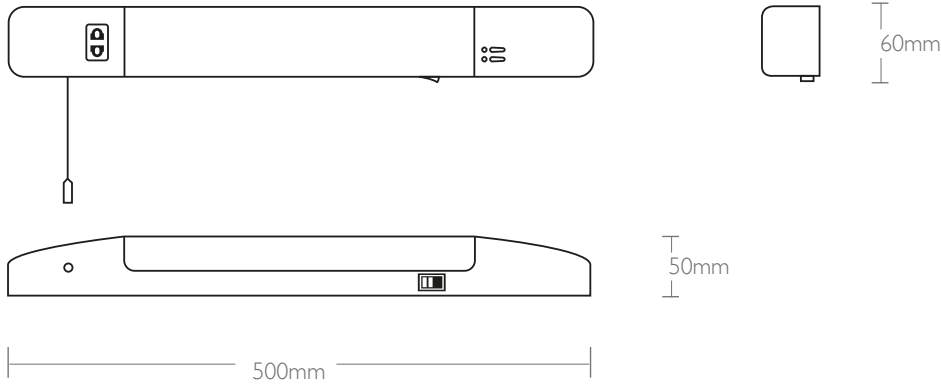
SATURN SHAVER

BATHROOM LIGHTS

This dual voltage shaver light is for use in bathrooms. The voltage can be selected to suit the appliance, and the shaver socket remains operational when the light is switched off.

Key Features

- IP20
- 230V or 115V Dual voltage
- Pull cord operated
- Complete with shaver socket
- Available in chrome or white



PRODUCT CODE

DESCRIPTION

		LUMEN OUTPUT	LUMEN/WATT	COLOUR TEMP	IP RATING
SSL/LED/WH	SHAVER 7W LED WHITE	450	65	4K	IP20
SSL/LED/CH	SHAVER 7W LED CHROME	450	65	4K	IP20

HARMONY

BESPOKE LEDS

A modern, curved, maintenance-free, energy-efficient wall light with a cool running temperature that creates soft mood lighting. Perfect for those looking for a stylish finish. Available in both textured white and highly polished aluminium.

Key Features

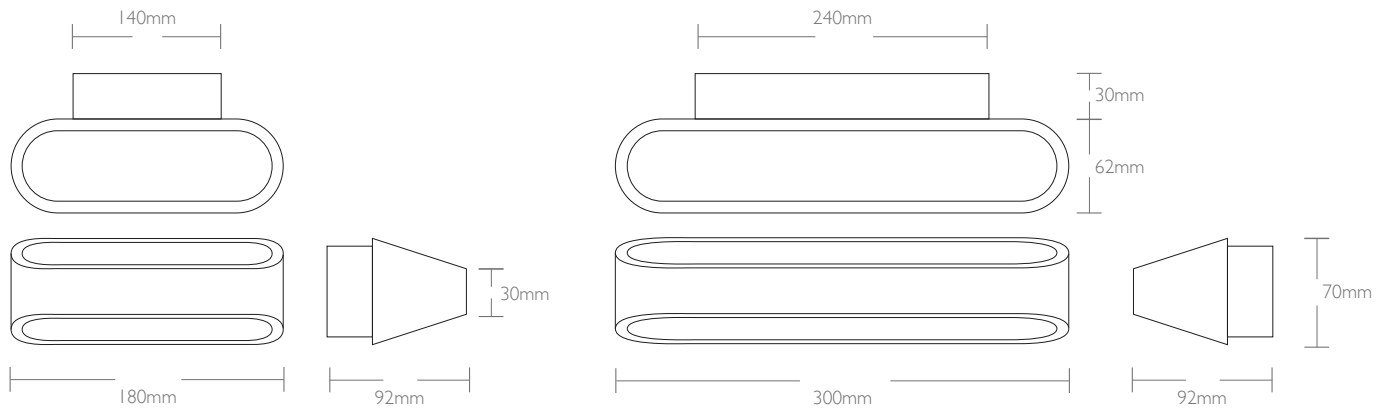
- 30,000 hour lifespan
- IP20
- Wall and bedside lighting
- Bespoke stylish applications
- Modern sleek design



FIVE YEAR
WARRANTY



IP
20



PRODUCT CODE

DESCRIPTION

PRODUCT CODE	DESCRIPTION	LUMEN OUTPUT	LUMEN/WATT	COLOUR TEMP	IP RATING
HARM1X5/WH	HARMONY 1X5W WALL LIGHT WHITE	310	52	3K	IP20
HARM1X5/PA	HARMONY 1X5W WALL LIGHT POLISHED ALUMINIUM	310	52	3K	IP20
HARM2X5/WH	HARMONY 2X5W WALL LIGHT WHITE	600	60	3K	IP20
HARM2X5/PA	HARMONY 2X5W WALL LIGHT POLISHED ALUMINIUM	600	60	3K	IP20



 **SATURNLED.EU**[®]
Intelligent Lighting

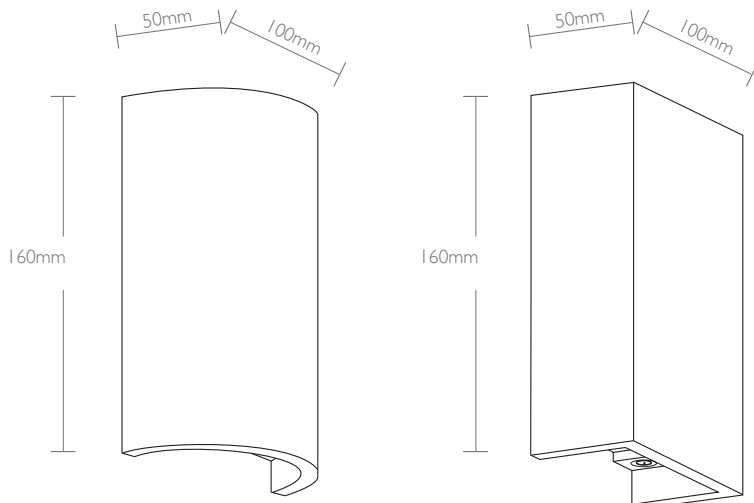
HARMONY

BESPOKE LIGHTING

A modern, maintenance-free, energy-efficient wall light with a cool running temperature that creates soft mood lighting. Perfect for those looking for a stylish finish. Up down soft lighting.

Key Features

- 30,000 hour lifespan
- IP20
- Wall and bedside lighting
- Bespoke stylish applications





PRODUCT CODE

DESCRIPTION

HARMVOGUE/CUR 2X5W UP DOWN CURVED
 HARMVOGUE/REC 2X5W UP DOWN RECTANGULAR

LUMEN OUTPUT	COLOUR TEMP	IP RATING
410	3K	IP20
410	3K	IP20

HARMONY

BEDSIDE LIGHTING

The perfect way to enrich a hotel room setting, the Harmony Bedside Lighting range combines a contemporary style with the added benefits of LED reading lights.

Key Features

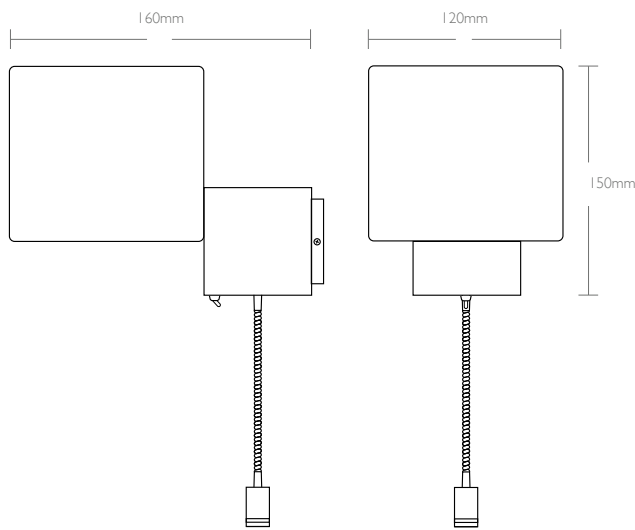
- 30,000 hour lifespan
- IP20
- Wall and bedside lighting
- Bespoke stylish applications
- Comes with ES lamp holder
- Dual switchable



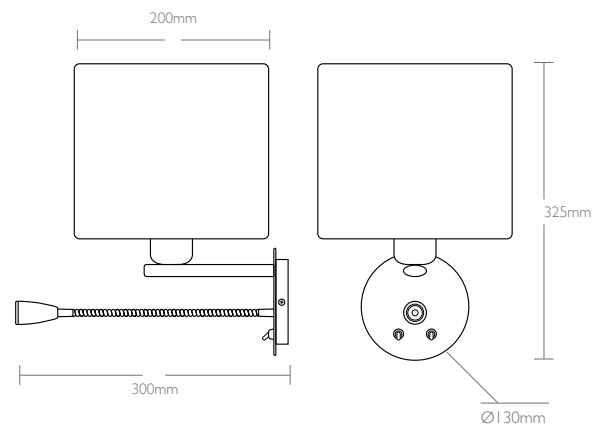
FIVE YEAR
WARRANTY



IP
20



CROWN



LEAR

PRODUCT CODE

DESCRIPTION

		LUMEN OUTPUT	LUMEN/ WATT	COLOUR TEMP	IP RATING
HARM/LEAR	LEAR 3W ADJUSTABLE BEDSIDE W/W ROUND BASE	126	42	3K	IP20
HARM/CROWN	CROWN 3W ADJUSTABLE BEDSIDE W/W CUBE BASE	126	42	3K	IP20

ALL COMPLETE WITH ES LAMP HOLDER



CROWN



LEAR

HARMONY

BEDSIDE LIGHTING

With its distinctive design, this adjustable bedside light provides a contemporary finish that is perfect for projects that demand style combined with powerful performance.

Key Features

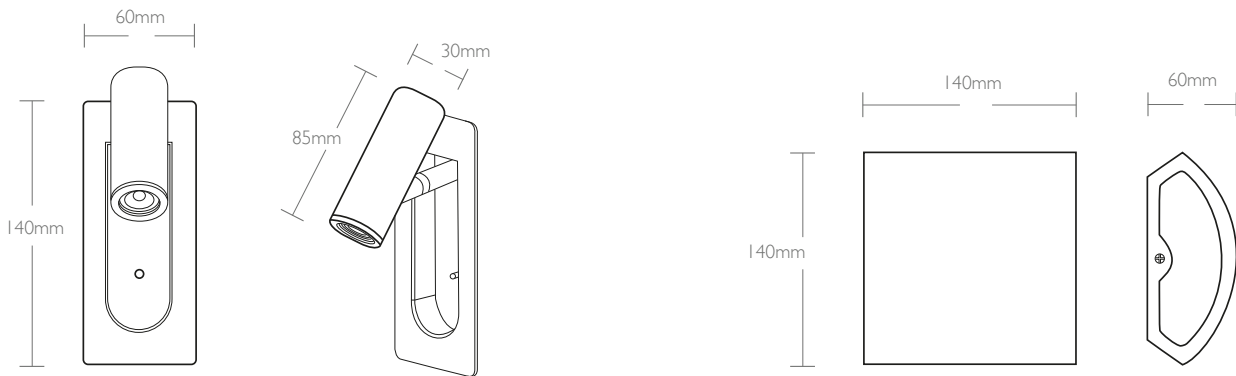
- 30,000 hour lifespan
- IP20
- Wall and bedside lighting
- Bespoke stylish applications



FIVE YEAR
WARRANTY



IP
20



PRODUCT CODE

DESCRIPTION

		LUMEN OUTPUT	COLOUR TEMP	IP RATING
HARM/3W/BSL	3W ADJUSTABLE BEDSIDE LIGHT	240	3K	IP20
HARMVOGUE/PA	2X5W UP DOWN POLISHED ALUMINIUM	410	3K	IP20



 **SATURNLED.EU**[®]
Intelligent Lighting



ICE

SLIMLINE LED FLOODLIGHTS

A high quality IP65 diecast LED floodlight, this is a modern alternative to the traditional floodlight. Available in standard and microwave options, suitable for both domestic and commercial applications, it offers the latest in LED technology.

Key Features

- 30,000 hour lifespan
- IP65
- Diecast aluminium slimline casing
- Shock-resistant glass

3 THREE YEAR WARRANTY

IP
65

MICROWAVE
SENSOR AVAILABLE



PRODUCT CODE

DESCRIPTION

		LUMEN OUTPUT	LUMEN/WATT	COLOUR TEMP	IP RATING
ICE10/B	10W BLACK LED FLOODLIGHT	800	80	4K	IP65
ICE20/B	20W BLACK LED FLOODLIGHT	1600	80	4K	IP65
ICE30/B	30W BLACK LED FLOODLIGHT	2400	80	4K	IP65
ICE50/B	50W BLACK LED FLOODLIGHT	4000	80	4K	IP65

ICE

SLIMLINE LED FLOODLIGHTS

A high quality IP65 diecast LED floodlight, this is a modern alternative to the traditional floodlight. Available in standard and microwave options, suitable for both domestic and commercial applications, it offers the latest in LED technology.

Key Features

- 30,000 hour lifespan
- IP65
- Diecast aluminium slimline casing
- Shock-resistant glass



PRODUCT CODE

DESCRIPTION

		LUMEN OUTPUT	LUMEN/ WATT	COLOUR TEMP	IP RATING
ICE10/W	10W WHITE LED FLOODLIGHT	800	80	4K	IP65
ICE20/W	20W WHITE LED FLOODLIGHT	1600	80	4K	IP65
ICE30/W	30W WHITE LED FLOODLIGHT	2400	80	4K	IP65
ICE50/W	50W WHITE LED FLOODLIGHT	4000	80	4K	IP65



ICE

MICROWAVE SENSOR



 **SATURNLED.EU**[®]

Intelligent Lighting

PRODUCT CODE

DESCRIPTION

		LUMEN OUTPUT	LUMEN/ WATT	COLOUR TEMP	IP RATING
ICE10/B/MWS	ICE 10W BLACK MICROWAVE	800	80	4K	IP65
ICE20/B/MWS	ICE 20W BLACK MICROWAVE	1600	80	4K	IP65
ICE30/B/MWS	ICE 30W BLACK MICROWAVE	2400	80	4K	IP65
ICE50/B/MWS	ICE 50W BLACK MICROWAVE	4000	80	4K	IP65
ICE10/W/MWS	ICE 10W WHITE MICROWAVE	800	80	4K	IP65
ICE20/W/MWS	ICE 20W WHITE MICROWAVE	1600	80	4K	IP65
ICE30/W/MWS	ICE 30W WHITE MICROWAVE	2400	80	4K	IP65
ICE50/W/MWS	ICE 50W WHITE MICROWAVE	4000	80	4K	IP65



PRODUCT CODE

DIMENSIONS

ICE10W	10W LED FLOODLIGHT
ICE20W	20W LED FLOODLIGHT
ICE30W	30W LED FLOODLIGHT
ICE50W	50W LED FLOODLIGHT

DIM A	DIM B	DIM C
130mm	99mm	74mm
170mm	130mm	90mm
203mm	158mm	103mm
250mm	188mm	120mm

EDGE

DIECAST LED FLOODLIGHTS

A high quality IP65 diecast LED floodlight, this is a modern alternative to the traditional floodlight. Suitable for both domestic and commercial applications, it offers the latest in LED technology.

Key Features

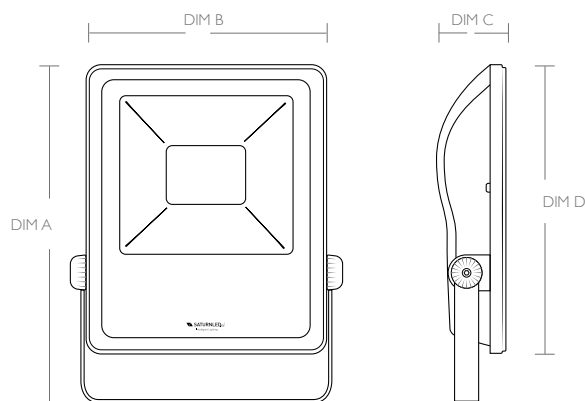
- IP65
- Diecast aluminium slimline casing
- Shock-resistant glass
- 0.5m pre-wired flex



FIVE YEAR
WARRANTY



IP
65



PRODUCT CODE

DESCRIPTION

		LUMEN OUTPUT	LUMEN/ WATT	COLOUR TEMP	IP RATING
EDGE50	50W EDGE LED FLOODLIGHT	5000	100	5K	IP65
EDGE100	100W EDGE LED FLOODLIGHT	10500	105	5K	IP65
EDGE150	150W EDGE LED FLOODLIGHT	15750	105	5K	IP65
EDGE200	200W EDGE LED FLOODLIGHT	23000	115	5K	IP65
EDGE250	250W EDGE LED FLOODLIGHT	28750	115	5K	IP65

PRODUCT CODE

DIMENSIONS

		DIM A	DIM B	DIM C	DIM D
EDGE50	50W EDGE LED FLOODLIGHT	325	260	70	280
EDGE100	100W EDGE LED FLOODLIGHT	480	410	102	438
EDGE150	150W EDGE LED FLOODLIGHT	480	410	102	438
EDGE200	200W EDGE LED FLOODLIGHT	580	470	125	500
EDGE250	250W EDGE LED FLOODLIGHT	580	470	125	500



 **SATURNLED.EU**[®]
Intelligent Lighting

HERCULES

LED STADIUM FLOODLIGHTS

Hercules stadium lights provide daylight conditions on the darkest playing fields. Available in a range of outputs with adjustable module angles to provide maximum flexibility to adapt to all areas applied.

Key Features

- IP65
- 5000k
- adjustable modules



PRODUCT CODE

DESCRIPTION

PRODUCT CODE	DESCRIPTION	LUMEN OUTPUT	LUMEN/WATT	COLOUR TEMP	IP RATING
HERC75	HERCULES 75W LED MODULAR STADIUM FIXTURE	9200	122	5K	IP65
HERC150	HERCULES 150W LED MODULAR STADIUM FIXTURE	18400	122	5K	IP65
HERC225	HERCULES 225W LED MODULAR STADIUM FIXTURE	28000	124	5K	IP65
HERC300	HERCULES 300W LED MODULAR STADIUM FIXTURE	37500	125	5K	IP65
HERC450	HERCULES 450W LED MODULAR STADIUM FIXTURE	57000	126	5K	IP65
HERC600	HERCULES 600W LED MODULAR STADIUM FIXTURE	74000	123	5K	IP65
HERC900	HERCULES 900W LED MODULAR STADIUM FIXTURE	112500	125	5K	IP65
HERC1200	HERCULES 1200W LED MODULAR STADIUM FIXTURE	148000	123	5K	IP65





 **SATURNLED.EU**[®]
Intelligent Lighting



 **SATURNLED.EU**[®]
Intelligent Lighting

INVICTUS

WAREHOUSE HIGHBAYS

The perfect solution warehouse lighting, the unique design of the Invictus Warehouse provides highly effective lighting outputs with an unrivalled durability that eradicates the challenges of warehouse lighting maintenance.

Key Features

- IP65
- High performance SMD design
- 130LM/W efficiency
- Philips chips
- Meanwell Driver
- Dip-dim daylight sensor available
- 2m pre-wired flex

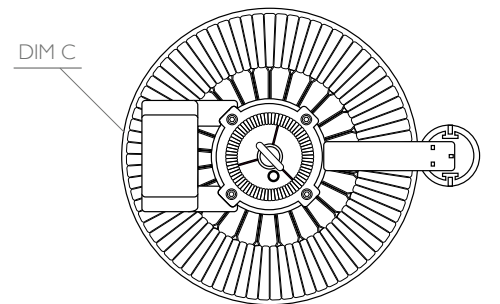
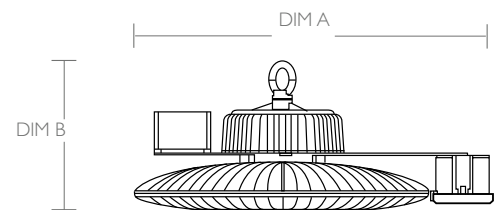
5 FIVE YEAR WARRANTY

IP
65

MICROWAVE
SENSOR AVAILABLE



INVICTUS WAREHOUSE HIGHBAYS



PRODUCT CODE

DESCRIPTION

		LUMEN OUTPUT	LUMEN/WATT	COLOUR TEMP	IP RATING
INV1100	INVICTUS 100W LED HIGHBAY	13000	130	5K	IP65
INV1100MWS	INVICTUS 100W LED HIGHBAY MICROWAVE	13000	130	5K	IP65
INV1150	INVICTUS 150W LED HIGHBAY	19500	130	5K	IP65
INV1150MWS	INVICTUS 150W LED HIGHBAY MICROWAVE	19500	130	5K	IP65
INV1200	INVICTUS 200W LED HIGHBAY	26000	130	5K	IP65
INV1200MWS	INVICTUS 200W LED HIGHBAY MICROWAVE	26000	130	5K	IP65

/EM3 ADD **/EM3** TO THE END OF ANY PRODUCT CODE FOR EMERGENCY

PRODUCT CODE

DIMENSIONS

	DIM A	DIM B	DIM C
INV1100	ø360	179	ø360
INV1100MWS	450	179	ø360
INV1150	ø360	179	ø360
INV1150MWS	450	179	ø360
INV1200	ø430	250	ø430

VECTOR

LED LOWBAY

Offering an excellent lumen package, Vector LED lowbays are the perfect solution to school sports halls and industrial applications.

Key Features

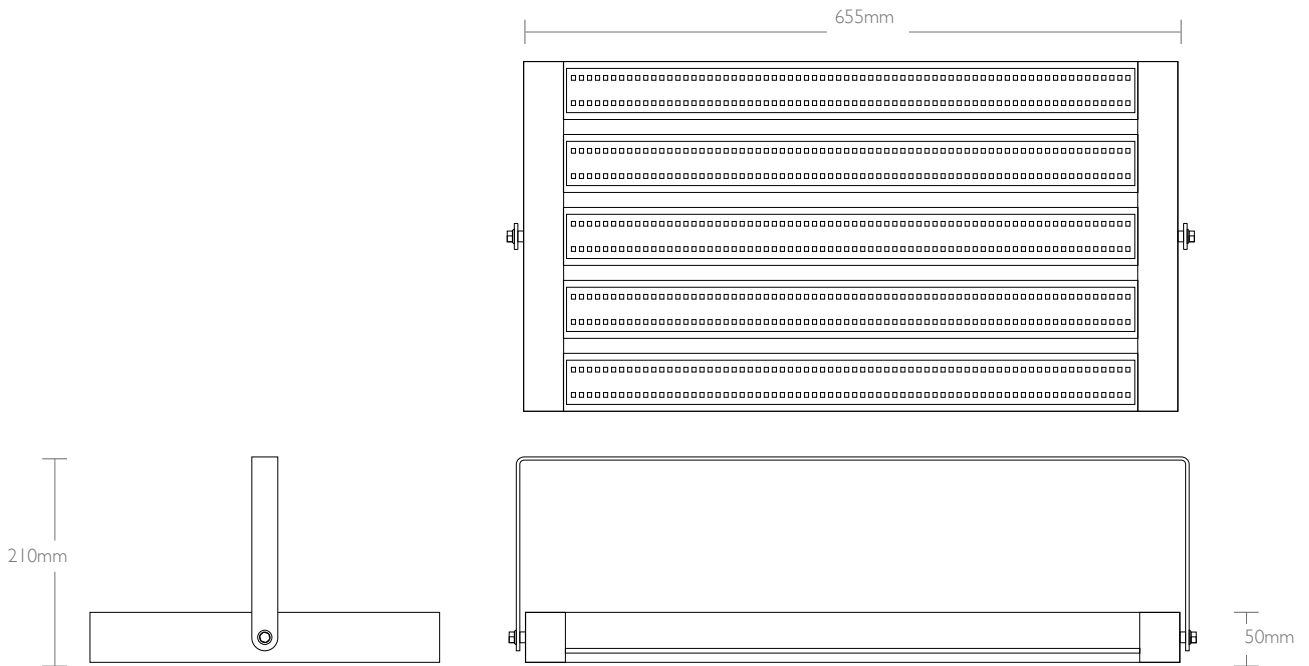
- IP20
- High performance SMD design
- 130LM/W efficiency
- OSRAM chips



FIVE YEAR
WARRANTY



IP
20



PRODUCT CODE

DESCRIPTION

		LUMEN OUTPUT	LUMEN/ WATT	COLOUR TEMP	IP RATING
VECT110	VECTOR 110W LED LOWBAY	14200	130	5K	IP20
VECT185	VECTOR 185W LED LOWBAY	24500	130	5K	IP20

/EM3 ADD **/EM3** TO THE END OF ANY PRODUCT CODE FOR EMERGENCY



 **SATURNLED.EU**[®]
Intelligent Lighting

GLADIATOR

LED CORROSION PROOFS

Our anti-corrosive range is the perfect choice for performance with its low energy consumption and high light output. The fittings are constructed from a high grade polycarbonate, making it both shock and impact resistant.

Key Features

- 30,000 hour lifespan
- IP65 polycarbonate casing
- Available with or without emergency option
- Stainless steel fast release clips
- Flicker-free instant start

 **FIVE YEAR**
WARRANTY

 **IP**
65

 **EMERGENCY**
AVAILABLE

 **MICROWAVE**
SENSOR AVAILABLE



 **SATURNLED.EU**[®]
Intelligent Lighting



PRODUCT CODE

DESCRIPTION

PRODUCT CODE	DESCRIPTION	LUMEN OUTPUT	LUMEN/WATT	COLOUR TEMP	IP RATING
GLAD/1200/2500	25W CORROSION PROOF	2500	100	4K	IP65
GLAD/1500/3300	33W CORROSION PROOF	3300	100	4K	IP65
GLAD/1800/4300	43W CORROSION PROOF	4300	100	4K	IP65
GLAD/1200/4900	49W CORROSION PROOF	4900	100	4K	IP65
GLAD/1500/6300	63W CORROSION PROOF	6300	100	4K	IP65
GLAD/1800/8000	80W CORROSION PROOF	8000	100	4K	IP65

/EM3

/MWS

/DALI

ADD /EM3 TO THE END OF ANY PRODUCT CODE FOR EMERGENCY

ADD /MWS TO THE END OF ANY PRODUCT CODE FOR MICROWAVE SENSOR

ADD /DALI TO THE END OF ANY PRODUCT CODE FOR DIMMING

DIM A

Powered by **TRIDONIC**

PRODUCT CODE

DIMENSIONS

PRODUCT CODE	DESCRIPTION	DIM A	DIM B	DIM C
GLAD/1200/2500	25W CORROSION PROOF	1265mm	105mm	110mm
GLAD/1500/3300	33W CORROSION PROOF	1565mm	105mm	110mm
GLAD/1800/4300	43W CORROSION PROOF	1865mm	105mm	110mm
GLAD/1200/4900	49W CORROSION PROOF	1265mm	165mm	110mm
GLAD/1500/6300	63W CORROSION PROOF	1565mm	165mm	110mm
GLAD/1800/8000	80W CORROSION PROOF	1865mm	165mm	110mm

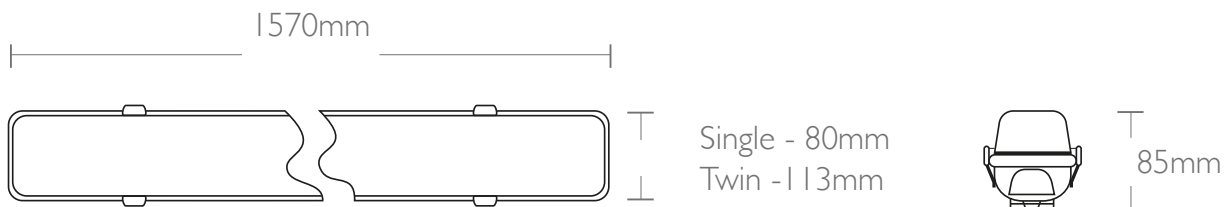
HUNTER

LED CORROSION PROOFS

The hunter anti-corrosive range has been developed for the trade market. A quality and reliable fitting suitable for budget led projects.

Key Features

- 30,000 hour lifespan
- IP65
- Available with or without emergency option
- Stainless steel fast release clips
- Flicker-free instant start



PRODUCT CODE

DESCRIPTION

		LUMEN OUTPUT	LUMEN/ WATT	COLOUR TEMP	IP RATING
HUNT30W	HUNTER 30W SINGLE CORROSION PROOF 1500MM	3000	100	4K	IP65
HUNT60W	HUNTER 60W TWIN CORROSION PROOF 1500MM	6000	100	4K	IP65

/EM3
/MWS
/DALI

ADD **/EM3** TO THE END OF ANY PRODUCT CODE FOR EMERGENCY
ADD **/MWS** TO THE END OF ANY PRODUCT CODE FOR MICROWAVE SENSOR
ADD **/DALI** TO THE END OF ANY PRODUCT CODE FOR DIMMING



NAVY

EXTERIOR LIGHTING

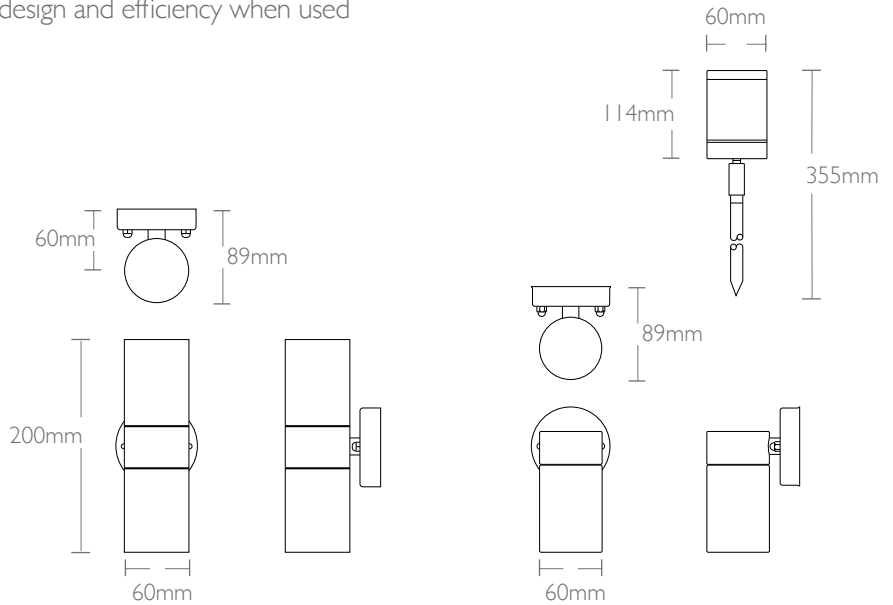
Our stainless steel range gives a stunning bespoke look and is our premium range of exterior lighting. It offers the best in design and efficiency when used with our RELO 5W lamps.

Key Features

- IP54 chrome finish
- Stainless steel
- Tempered glass lens
- GU10 lampholders

3 THREE YEAR WARRANTY

IP
54



PRODUCT CODE

DESCRIPTION

PRODUCT CODE	DESCRIPTION	IP RATING
NAVY/UD	NAVY UP/DOWN LIGHT GU10 STAINLESS STEEL	IP54
NAVY/SPOT	NAVY SPOT WALL LIGHT GU10 STAINLESS STEEL	IP54
NAVY/ADJ	NAVY ADJUSTABLE SPOTLIGHT GU10 STAINLESS STEEL	IP54
NAVY/SPIKE	NAVY SPIKE GU10 STAINLESS STEEL	IP54

/SS ADD /SS FOR A STAINLESS STEEL FINISH
/BLK ADD /BLK FOR A BLACK FINISH





 **SATURNLED.EU[®]**

Intelligent Lighting



 **SATURNLED.EU**[®]

Intelligent Lighting



NAVY

WALK OVER AND BRICK

Our stainless steel range gives a stunning bespoke look and is our premium range of exterior lighting. It offers the best in design and efficiency when used with our RELO 5W lamps.

Key Features

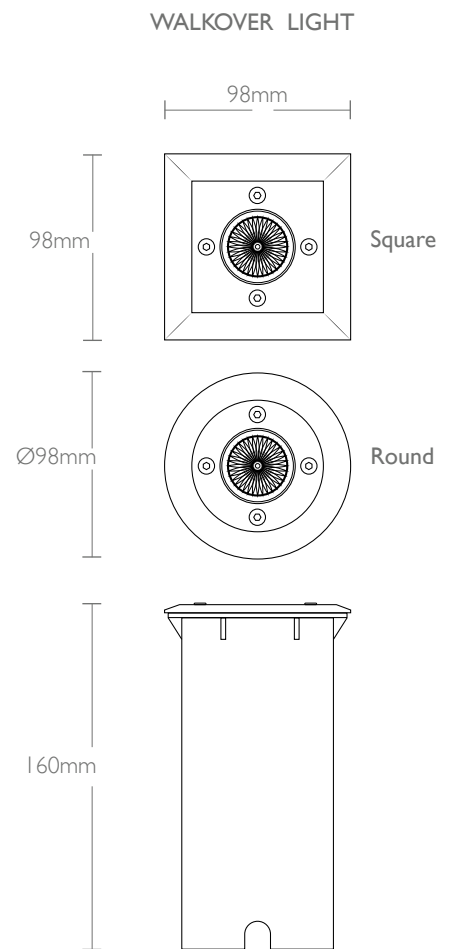
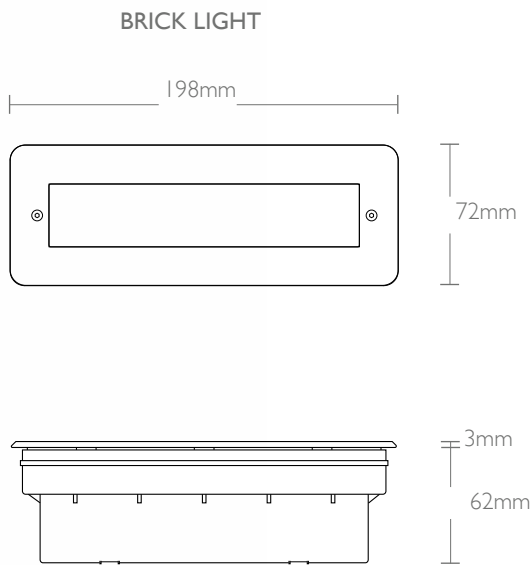
- IP65 chrome finish
- Stainless steel
- Tempered glass lens



FIVE YEAR
WARRANTY



IP
65



PRODUCT CODE

DESCRIPTION

PRODUCT CODE	DESCRIPTION	LUMEN OUTPUT	LUMEN/WATT	COLOUR TEMP	IP RATING
NAVY/WOL/RO	ROUND STAINLESS STEEL WALK OVER LIGHT	-	-	-	IP67
NAVY/WOL/SQ	SQUARE STAINLESS STEEL WALK OVER LIGHT	-	-	-	IP67
NAVY/BRICK	NAVY 2W LED BRICK LIGHT	125	63	6K	IP65

IMPACT

EXTERIOR LIGHTING

Our anthracite grey range gives a stunning bespoke look. As our premium range of exterior lighting, Impact offers the best in design and efficiency.

Key Features

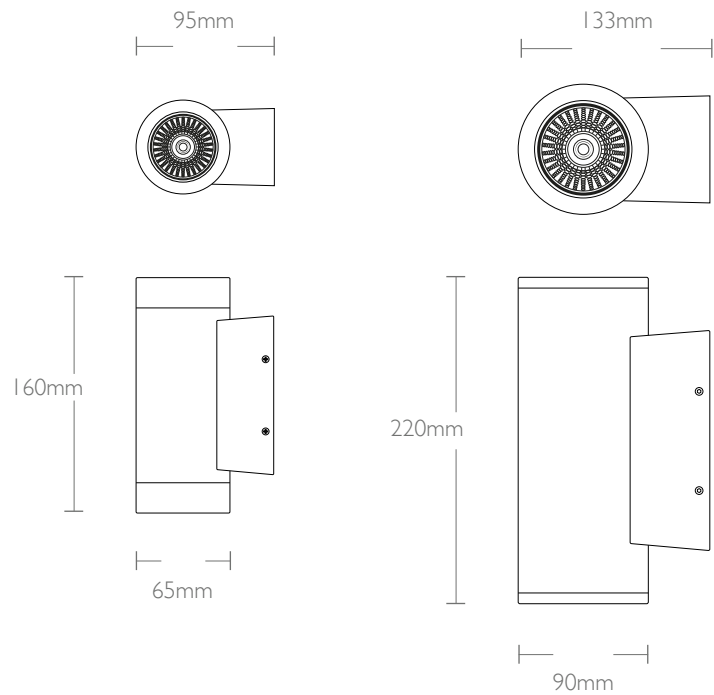
- 30,000 hour lifespan
- IP54
- Matt/grey finish
- Contemporary look
- Integrated LED



THREE YEAR
WARRANTY



IP
54



PRODUCT CODE

DESCRIPTION

PRODUCT CODE	DESCRIPTION	LUMEN OUTPUT	LUMEN/WATT	COLOUR TEMP	IP RATING
IMPACT/2X3	2X3W UP DOWN DARK GREY FINISH	360	60	4K	IP54
IMPACT/2X12	2X12W UP DOWN DARK GREY FINISH	1400	58	4K	IP54



 **SATURNLED.EU**[®]
Intelligent Lighting



 **SATURNLED.EU**[®]
Intelligent Lighting

IMPACT

EXTERIOR LIGHTING

A premium quality exterior fittings that gives an impressive feel to any environment.

Key Features

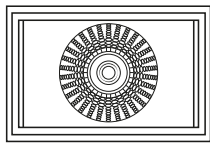
- 30,000 hour lifespan
- IP54
- Textured grey finish
- Contemporary look
- Integrated LED



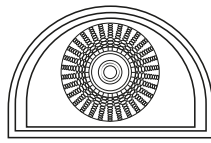
FIVE YEAR
WARRANTY



IP
54

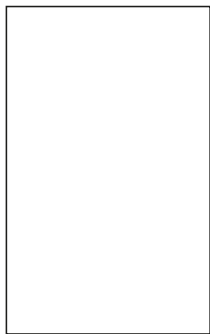


66.5mm

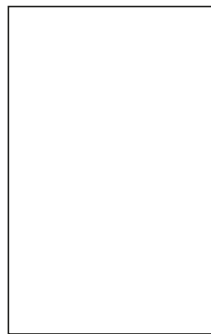


65mm

99.5mm



100mm



160mm

PRODUCT CODE

DESCRIPTION

		LUMEN OUTPUT	LUMEN/ WATT	COLOUR TEMP	IP RATING
IMPACT/2X5/SQ	2X5W SQUARE UP DOWN DARK GREY FINISH	600	60	4K	IP54
IMPACT/2X5/CUR	2X5W CURVED UP DOWN DARK GREY FINISH	600	60	4K	IP54

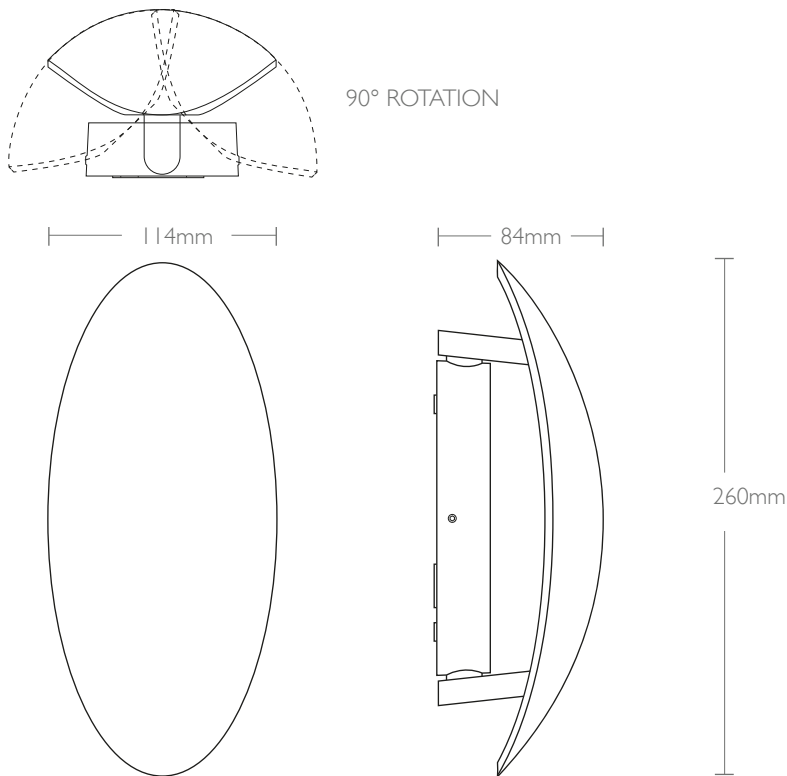
IMPACT

EXTERIOR LIGHTING

A versatile exterior wall light offers a modern and contemporary look, finished in premium white and black.

Key Features

- 30,000 hour lifespan
- IP54
- White or black finish
- Contemporary look
- Integrated LED



PRODUCT CODE

DESCRIPTION

		LUMEN OUTPUT	LUMEN/WATT	COLOUR TEMP	IP RATING
IMPACT/ADJ/WH	6W ADJUSTABLE WHITE	230	25	4K	IP54
IMPACT/ADJ/BK	6W ADJUSTABLE BLACK	230	25	4K	IP54



FLYNN

EXTERIOR BOLLARDS

Innovative and stylish LED pathway, walkway and ground lighting solutions.

Key Features

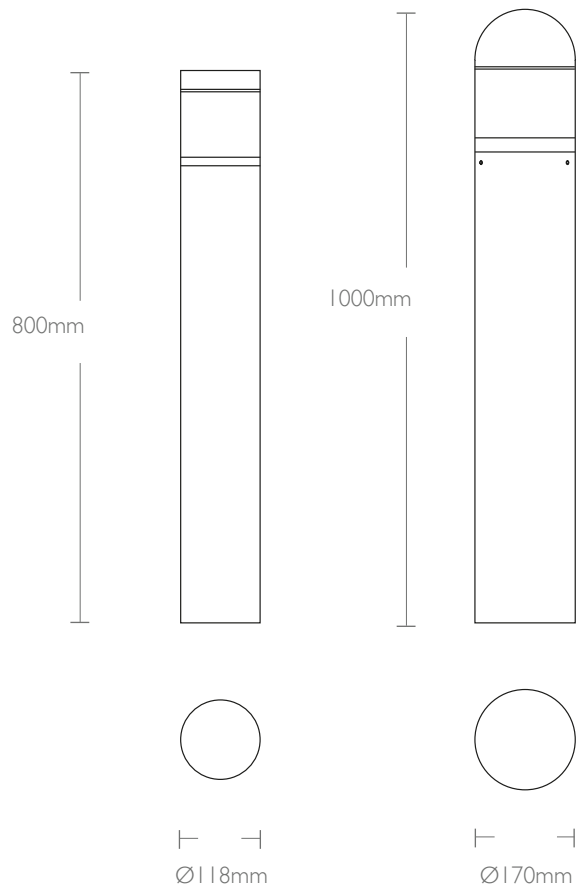
- IP65
- 30,000 hour lifespan
- Contemporary diecast aluminium
- Matt black
- Stainless steel screws



FIVE YEAR
WARRANTY



IP
65



PRODUCT CODE

DESCRIPTION

PRODUCT CODE	DESCRIPTION	LUMEN OUTPUT	LUMEN/WATT	COLOUR TEMP	IP RATING
FLYNN25	25W 1650LM 1000MM DOME LED BOLLARD	1650	66	4K	IP54
FLYNN12	12W 800LM 800MM SQUARE LED BOLLARD	800	66	4K	IP54



ZIO

EXTERIOR BOLLARDS

The Zio, a fresh and novel design gives this bollard a visionary feel suitably placed along paths and walkways or for general ground lighting.

Key Features

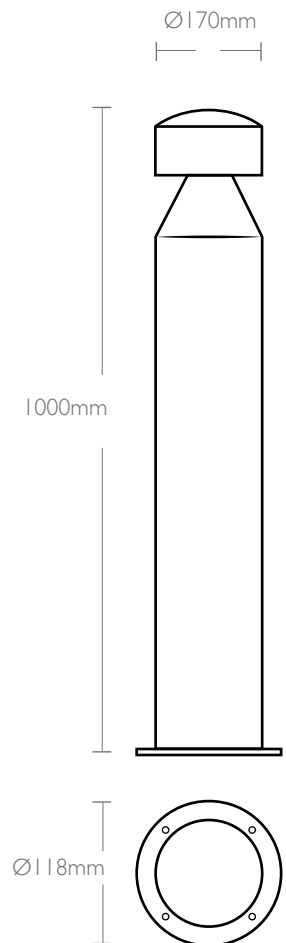
- IP65
- 30,000 hour lifespan
- Contemporary diecast aluminium
- Matt black
- Stainless steel screws



FIVE YEAR
WARRANTY



IP
65



PRODUCT CODE

DESCRIPTION

		LUMEN OUTPUT	LUMEN/ WATT	COLOUR TEMP	IP RATING
ZEO25W	ZEO 25W 1000MM DOME LED BOLLARD	1500	60	4K	IP65



DEVO

EXTERIOR BOLLARDS

Innovative and stylish Devo LED pathway, walkway and ground lighting solutions.

Key Features

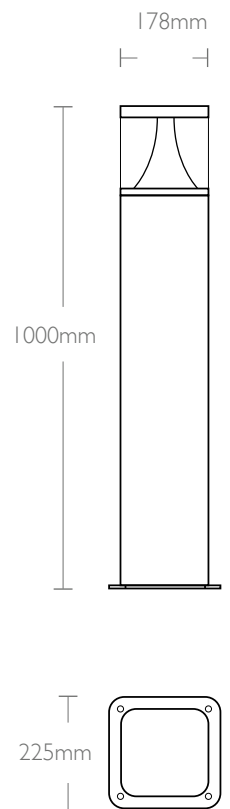
- IP65
- 30,000 hour lifespan
- Contemporary diecast aluminium
- Matt black
- Stainless steel screws



FIVE YEAR
WARRANTY



IP
65



PRODUCT CODE

DESCRIPTION

		LUMEN OUTPUT	LUMEN/ WATT	COLOUR TEMP	IP RATING
DEVO25W	25W 1850LM 1000MM SQUARE LED BOLLARD	1850	74	4K	IP65



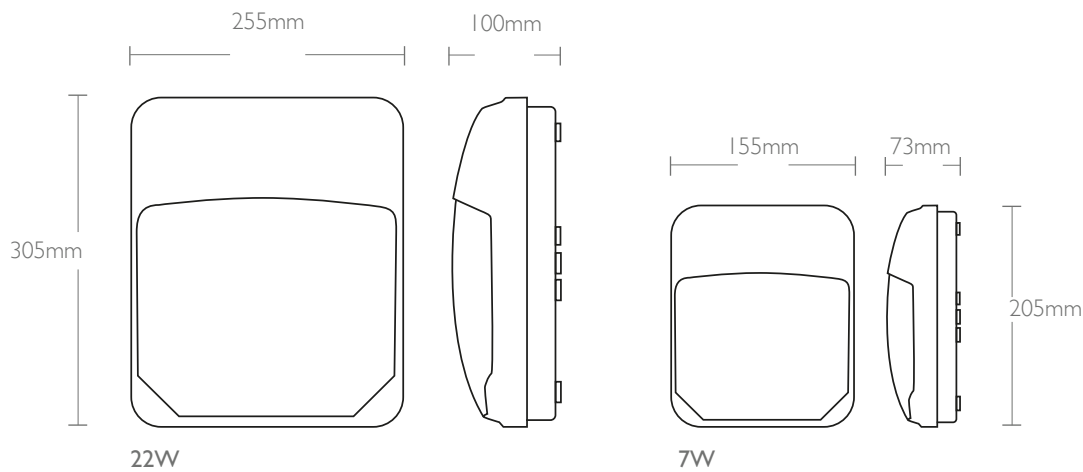
WARRIOR

LED WALL PACKS

Warrior wall packs are ideal for commercial and industrial areas. The fittings are constructed from robust polycarbonate and some include a heavy duty diecast base.

Key Features

- 50,000 hour lifespan
- IP65
- Polycarbonate base on 7W/22W, diecast on 40W
- Aluminium reflector in 40W
- Polycarbonate prismatic diffuser



PRODUCT CODE

DESCRIPTION

PRODUCT CODE	DESCRIPTION	LUMEN OUTPUT	LUMEN/WATT	COLOUR TEMP	IP RATING
WARRM7W	WARRIOR MINI 7W OPAL WALL PACK	450	64	4K	IP65
WARR22W	22W OPAL WALL PACK	1500	68	4K	IP65
WARR40W	40W OPAL WALL PACK	2500	63	4K	IP65
WARR40W PC	40W PRISMATIC WALL PACK Add /PC FOR PHOTOCELL	2500	63	4K	IP65



40W PRISMATIC

 **SATURNLED.EU**[®]
Intelligent Lighting

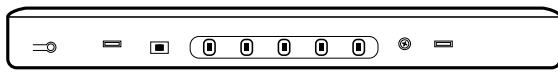
PHOENIX

EMERGENCY LIGHTING

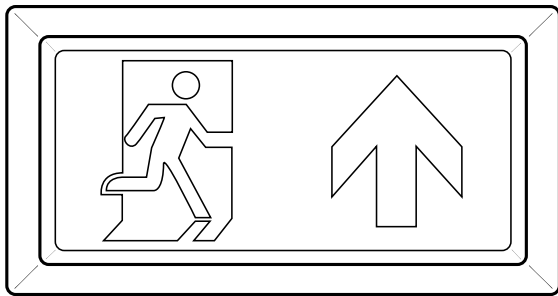
Upgraded from the classic bulky metal exit. Our design makes use of LED technology which allows us to offer an up to date ultra slim polycarbonate fitting.

Key Features

- Ultra slim profile
- Dedicated LED downlight strip
- Polycarbonate body
- Acrylic legend
- Ni-Cd battery
- Maintained & non-maintained function
- Integrated test switch
- 3-hour emergency duration

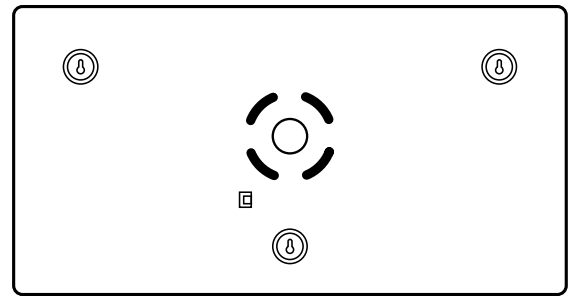


39mm



330mm

185mm



232mm

47mm

167mm

94mm

PRODUCT CODE

DESCRIPTION

		COLOUR TEMP	IP RATING
PHO/EXIT/U	PHOENIX POLYCARBONATE 3.8W LED EXIT BOX ARROW UP	6K	IP20
PHO/EXIT/D	PHOENIX POLYCARBONATE 3.8W LED EXIT BOX ARROW DOWN	6K	IP20
PHO/EXIT/LR	PHOENIX POLYCARBONATE 3.8W LED EXIT BOX ARROW LEFT/RIGHT	6K	IP20



 **SATURNLED.EU**[®]
Intelligent Lighting

PHOENIX

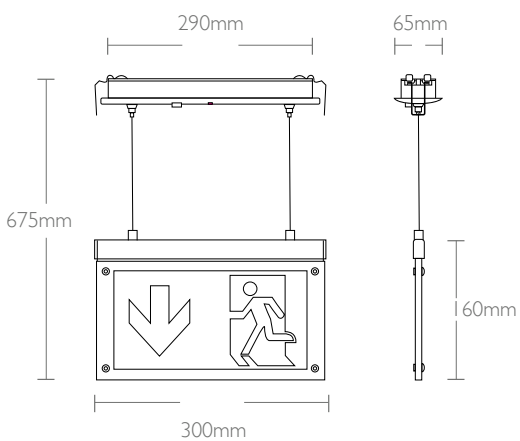
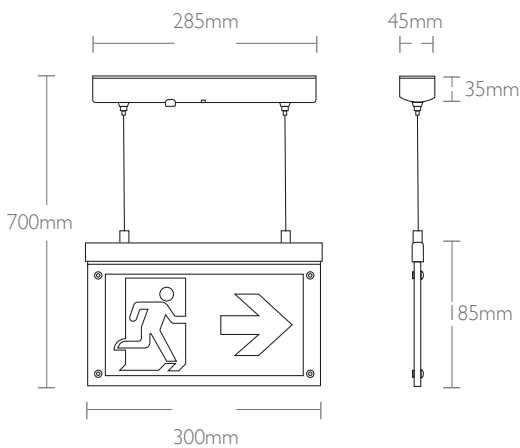
EMERGENCY LIGHTING

Emergency hanging signs available in surface mounted or recessed.

Key Features

- Surface and recessed hanging exit signs
- Mild steel base
- Acrylic legend
- Ni-Cd battery
- Integrated test switch
- 3-hour emergency duration

3 THREE YEAR WARRANTY





PRODUCT CODE

DESCRIPTION

		COLOUR TEMP	IP RATING
PHO/HES/U	PHOENIX 3W HANGING EXIT SIGN ARROW UP	6K	IP20
PHO/HES/D	PHOENIX 3W HANGING EXIT SIGN ARROW DOWN	6K	IP20
PHO/HES/LR	PHOENIX 3W HANGING EXIT SIGN ARROW LEFT/RIGHT	6K	IP20
PHO/RHES/U	PHOENIX 3W RECESSED HANGING EXIT SIGN ARROW UP	6K	IP20
PHO/RHES/D	PHOENIX 3W RECESSED HANGING EXIT SIGN ARROW DOWN	6K	IP20
PHO/RHES/LR	PHOENIX 3W RECESSED HANGING EXIT SIGN ARROW LEFT/RIGHT	6K	IP20

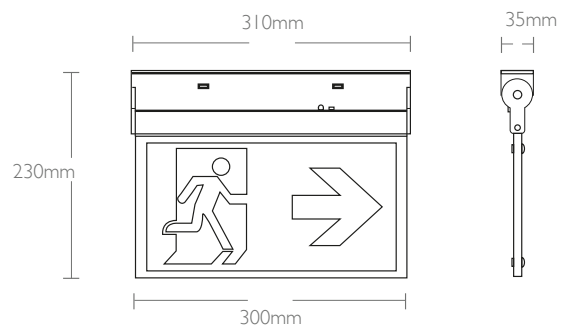
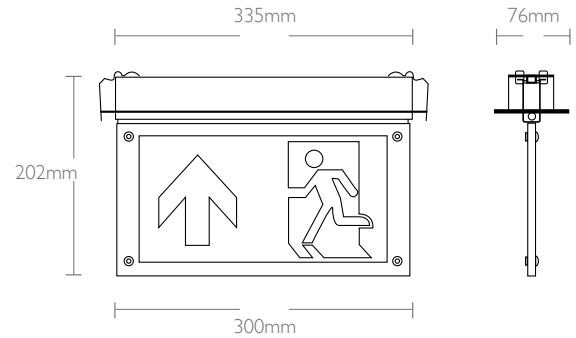
PHOENIX

EMERGENCY LIGHTING

Emergency ceiling and wall mounted exit signs available in surface or recessed.

Key Features

- Recessed and wall/ceiling mounted exit signs
- Acrylic legend
- Ni-Cd battery
- Integrated test switch
- 3-hour emergency duration



PRODUCT CODE

DESCRIPTION

PRODUCT CODE	DESCRIPTION	COLOUR TEMP	IP RATING
PHO/WCM/U	PHOENIX 3W WALL/CEILING EXIT SIGN ARROW UP	6K	IP20
PHO/WCM/D	PHOENIX 3W WALL/CEILING EXIT SIGN ARROW DOWN	6K	IP20
PHO/WCM/LR	PHOENIX 3W WALL/CEILING EXIT SIGN ARROW LEFT/RIGHT	6K	IP20
PHO/RCM/U	PHOENIX 3W RECESSED HANGING EXIT SIGN ARROW UP	6K	IP20
PHO/RCM/D	PHOENIX 3W RECESSED HANGING EXIT SIGN ARROW DOWN	6K	IP20
PHO/RCM/LR	PHOENIX 3W RECESSED HANGING EXIT SIGN ARROW LEFT/RIGHT	6K	IP20







PHO IP65

PHO IP20



 **SATURNLED.EU**[®]

Intelligent Lighting

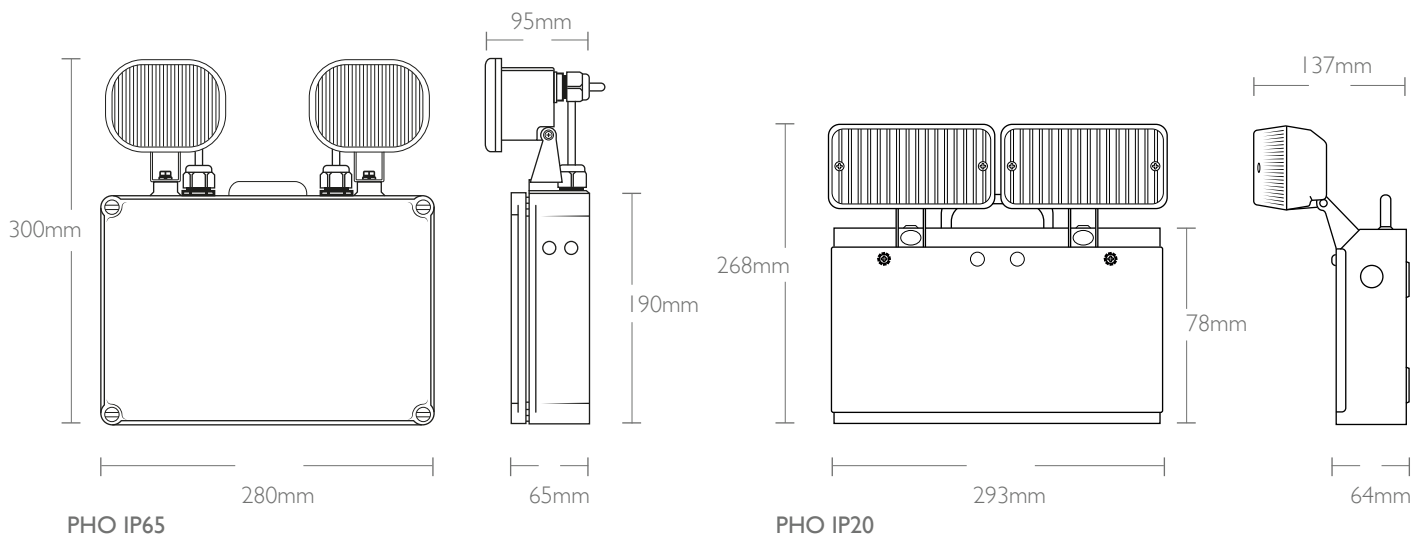
PHOENIX

EMERGENCY LIGHTING TWIN SPOTS

The emergency twin spot range is ideal for commercial, industrial and recreational installations.

Key Features

- IP65 and IP20 available
- Adjustable polycarbonate heads
- IP65 version has polycarbonate body
- IP20 version has steel body
- Ni-Cd battery
- 3-hour emergency duration



PRODUCT CODE	DESCRIPTION
--------------	-------------

		LUMEN OUTPUT	LUMEN/WATT	COLOUR TEMP	IP RATING
PHO/IP65TS	PHOENIX IP65 2X7W LED TWIN SPOT POLYCARBONATE	350x2	50	6K	IP65
PHO/IP20TS	PHOENIX IP20 2X7W LED TWIN SPOT ALUMINIUM	350x2	50	6K	IP20

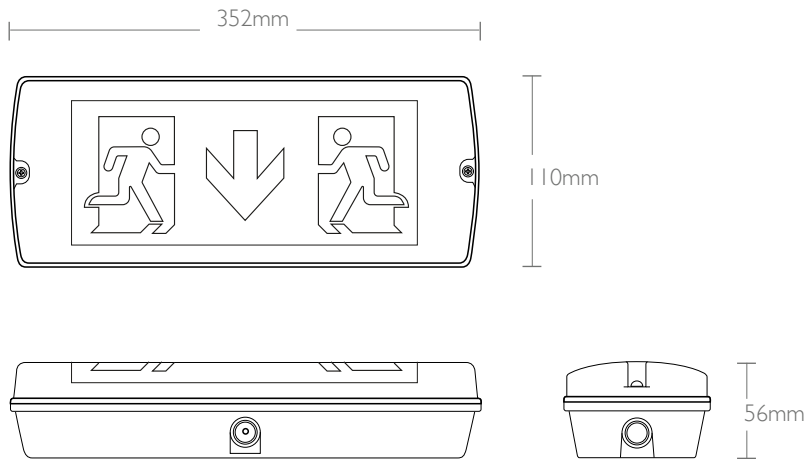
PHOENIX

EMERGENCY LIGHTING BULKHEAD

The emergency bulkhead is a classic fitting suitable for a variety of environments.

Key Features

- Slim profile
- Polycarbonate base & diffuser
- Legends kit included
- Ni-Cd battery
- Maintained & non-maintained function
- IP65
- 3-hour emergency duration



PRODUCT CODE

DESCRIPTION

PHO5WSET PHOENIX 5W BULKHEAD WITH LEDGENDS

COLOUR
TEMP IP
RATING

6K IP65



 **SATURNLED.EU**[®]
Intelligent Lighting

PHOENIX

EMERGENCY LIGHTING DOWNLIGHTS

Emergency downlights available with open area or corridor lens options.

Key Features

- High output mini downlights
- IP20 and IP65 options available
- Open area and corridor lense options
- ø35mm cutout
- Ni-Cd battery
- Open area versions include white and silver trims
- 3-hour emergency duration



THREE YEAR
WARRANTY



PRODUCT CODE

DESCRIPTION

		COLOUR TEMP	IP RATING
PHO/3W	PHOENIX 3W TWIN HEAD NON MAINTAINED DOWNLIGHT	6K	IP20
PHO/3W/IP65	PHOENIX 3W TWIN HEAD IP65 NON MAINTAINED	6K	IP20
PHO/3W/CF	PHOENIX 3W CORRIDOR NON MAINTAINED	6K	IP20



BATTERY PACK



DRIVER



CORRIDOR FUNCTION SPOT

PHOENIX

EMERGENCY LIGHTING DOWNLIGHT

Emergency downlight designed to fit a typical GU10 downlight cutout. Perfect for any retro fit.

Key Features

- Emergency downlight
- ø70mm cut out
- Polycarbonate body
- Ni-Cd battery
- IP20
- Integrated test switch
- 3-hour emergency duration



PRODUCT CODE

DESCRIPTION

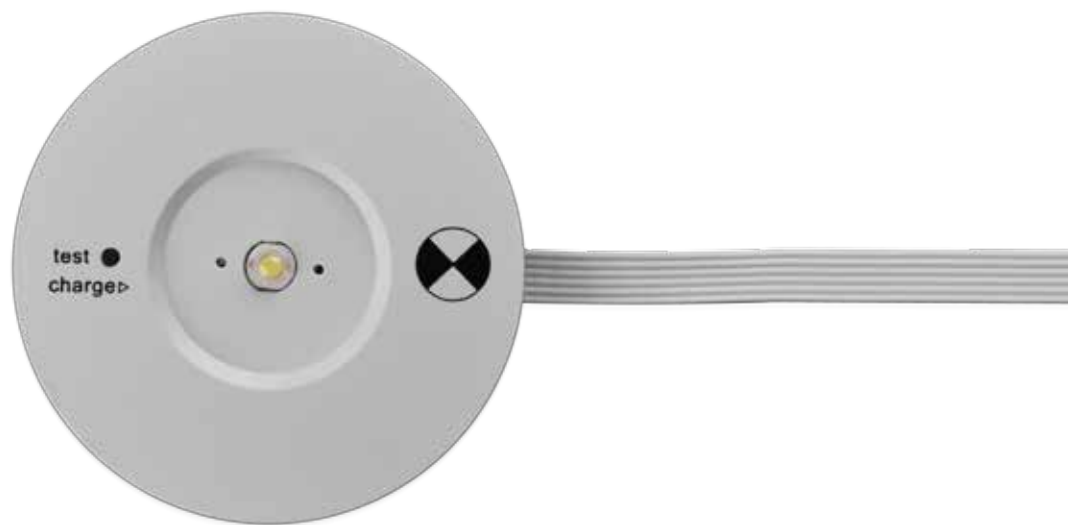
		COLOUR TEMP	IP RATING
PHO30A	PHOENIX 3W NON MAINTAINED OPEN AREA DOWNLIGHT	6K	IP20



BATTERY PACK



DRIVER



OPEN AREA SPOT

PHOENIX

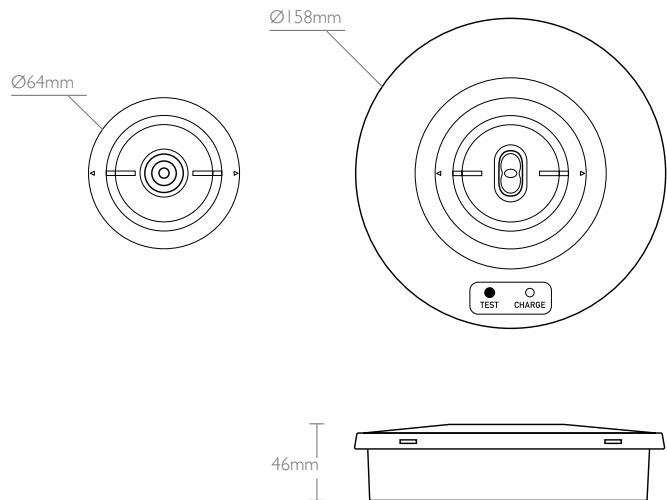
EMERGENCY LIGHTING DOWNLIGHT

Surface mounted IP65 rated emergency downlight. Comes with interchangeable open area and corridor lenses. Ideal for commercial and industrial applications.

Key Features

- Surface mounted downlight
- Interchangeable open area and corridor lenses included
- Polycarbonate body
- Ni-Cd battery
- IP65
- Integrated test switch
- 3-hour emergency duration

3 THREE YEAR WARRANTY



PRODUCT CODE

DESCRIPTION

		COLOUR TEMP	IP RATING
PHO3WLENS	PHOENIX 3W SURFACE MOUNTED NON MAINTAINED DOWNLIGHT	6K	IP65



 **SATURNLED.EU**[®]
Intelligent Lighting

ACCESSORIES

LIGHTING ACCESSORIES

MICROWAVE SENSOR



PHOTOCELL

DALI DRIVER



 **SATURNLED.EU**[®]

Intelligent Lighting



REMOTE PHOTOCELL

MINI PHOTOCELL



PRODUCT CODE

DESCRIPTION

MWS
PC
SATDALI
SATRCELL
SATMCELL

MICROWAVE SENSOR
PHOTOCELL KIT
TRIDONIC UNIVERSAL DALI DIM DRIVER
REMOTE PHOTOCELL
MINI PHOTOCELL

JANUARY			APRIL		MAY		JUNE	
01			01					
02			02					
03			03		01			
04			04		02			
05	01	01	05		03		01	
06	02	02	06		04		02	
07	03	03	07		05		03	
08	04	04	08		06		04	
09	05	05	09		07		05	
10	06	06	10		08		06	
11	07	07	11		09		07	
12	08	08	12		10		08	
13	09	09	13		11		09	
14	10	10	14		12		10	
15	11	11	15		13		11	
16	12	12	16		14		12	
17	13	13	17		15		13	
18	14	14	18		16		14	
19	15	15	19		17		15	
20	16	16	20		18		16	
21	17	17	21		19		17	
22	18	18	22		20		18	
23	19	19	23		21		19	
24	20	20	24		22		20	
25	21	21	25		23		21	
26	22	22	26		24		22	
27	23	23	27		25		23	
28	24	24	28		26		24	
29	25	25	29		27		25	
30	26	26	30		28		26	
31	27	27			29		27	
	28	28			30		28	
		29			31		29	
		30					30	
		31						

CALENDAR 2018

JULY		SEPTEMBER	OCTOBER		DECEMBER
01		01			01
02		02			02
03		03	01		03
04	01	04	02		04
05	02	05	03		05
06	03	06	04	01	06
07	04	07	05	02	07
08	05	08	06	03	08
09	06	09	07	04	09
10	07	10	08	05	10
11	08	11	09	06	11
12	09	12	10	07	12
13	10	13	11	08	13
14	11	14	12	09	14
15	12	15	13	10	15
16	13	16	14	11	16
17	14	17	15	12	17
18	15	18	16	13	18
19	16	19	17	14	19
20	17	20	18	15	20
21	18	21	19	16	21
22	19	22	20	17	22
23	20	23	21	18	23
24	21	24	22	19	24
25	22	25	23	20	25
26	23	26	24	21	26
27	24	27	25	22	27
28	25	28	26	23	28
29	26	29	27	24	29
30	27	30	28	25	30
31	28		29	26	31
	29		30	27	
	30		31	28	
	31			29	
				30	



LED
100W
120V



Find us online at www.saturnled.eu

Head Office

Saturn LED Ltd
153 Brackaville Road
Coalisland
County Tyrone
BT714NL

UK Office

+44 (0) 20 3011 5371

NI Office

+44 (0) 28 8788 0063

ROI Office

+44 (0) 48 8788 0063

www.saturnled.eu