

CHINT

CHINT EUROPE (UK) LTD

Chint Metal Consumer Units

- Compliant with Amendment 3 of BS 7671 : 2008 Regulation 421.1.201
- BS EN 61439-3

2 to 36 Ways
are Standard
Specials
to Customer
Requirements



- High grade steel with lift up lid
- Various sizes of knock outs for easy cabling
- Attractive off white finish
- Designed to easily accommodate RCBOs
- 3rd party approved as meeting current standards
- High integrity ready boards



Introducing the Chint NX3 Metal Consumer Units

OVERVIEW

Electricity Is Dangerous. Electrical Installations should be designed and carried out in accordance with Current Electrical Regulations i.e., "Regulations for Electrical Installations. Care being taken to ensure that circuits involving MCBs, RCBOs meet the requirements of table 41.6 page 64, BS7671:2008".

It is highly recommended that that this equipment is installed by suitably qualified personnel.

Throughout the installation and at the completion of all appropriate works, inspection and testing must be carried out to satisfy as far as is reasonably practical that the regulations have been met.

Maximum current ratings of the Mains Incomer (100A) **Must Not** be exceeded.

To avoid nuisance tripping, overheating etc., it is important that sufficient air circulation is allowed and that appropriate diversity factors are taken into consideration.

RCBs/RCBOs are of delicate construction, easily damaged when exposed to the high voltages typically carried out when carrying out certain tests. With this in mind it is crucial they are disconnected from the Bus Bar prior to carrying out insulation resistance testing.

Care must be taken to reconnect all devices prior to handing the system over to end users.

The name Chint is your assurance of Top Quality. Many Chint components are independently tested by 3rd Party test houses as complying with appropriate regulations. It might be helpful if copies of Test Certificates are included with your quotations thus giving your customers the assurance that you are offering top quality materials.

Test Certificates can be readily downloaded from www.chint.co.uk. Alternatively by calling Chint Technical on 0161 762 9333.



Chint products are independently tested and approved

Chint NX3 Metal Consumer Units

The **NX3** range of Metal Consumer Units is available from **2 Ways to 36 Ways**

The Chint NX3 range of Metal Consumer is available from the **2 Ways** up to **36 Ways**.

The NX3s are designed to comply to the new 3rd Amendment BS7671:2008 and BS EN 61439-3. The entire range is tested and approved to those standards by independent third parties.

There is an interconnecting cable available for ease of cabling between the mains incomer and individual RCDs.

The large enclosure size is often asked for by customers who might want to add specialised equipment such as Meters, Contactors and Transformers and where space is not limited.



Certificates are readily available at www.chint.co.uk

Chint NX3 Range of Metal Consumer Units



NX3-2



NX3-3



NX3-3RA



NX3-4



NX3-4-100FS



NX3-5



NX3-5RA



NX3-6



NX3-6MS



NX3-6RCD



NX3-8MS



NX3-8RCD



NX3-10MS



NX3-10RCD



NX3-14RA



NX3-14RCD



NX3-14S



NX3-16MS



NX3-16RA



NX3-16RCD



NX3-16S



NX3-18MS



NX3-18RA



NX3-18RCD



NX3-18S



NX3-20MS



NX3-20S



NX3-22MS



NX3-22S



NX3-24MS



NX3-24S



NX3-28



NX3-36

Ready Assembled Consumer Units

NX3-14RA

- 8 Way, 4 x 4 Ready Assembled
- 2 x 63A 30mA RCDs,
1 x 100A Incomer,
6 MCBs + 2 Spare Ways
- High Integrity ready



RCD	MCB	MCB	MCB	MCB	MCB	RCD	MCB	MCB	SPARE WAY	SPARE WAY	DP ISOLATOR
NL1	EBG	EBG	EBG	EBG	EBG	NL1	EBG	EBG	SPARE WAY	SPARE WAY	NH4 2P 100A

Configurations for NX3-14RA

NX3-16RA

- 10 Way, 5 x 5 Ready Assembled
- 2 x 63A 30mA RCDs,
1 x 100A Incomer,
8 MCBs + 2 Spare Ways
- High Integrity ready



RCD	MCB	MCB	MCB	MCB	MCB	MCB	RCD	MCB	MCB	MCB	SPARE WAY	SPARE WAY	DP ISOLATOR
NL1	EBG	EBG	EBG	EBG	EBG	EBG	NL1	EBG	EBG	EBG	SPARE WAY	SPARE WAY	NH4 2P 100A

Configurations for NX3-16RA

NX3-18RA

- 12 Way, 6 x 6 Ready Assembled
- 2 x 63A 30mA RCDs,
1 x 100A Incomer,
10 MCBs + 2 Spare Ways
- High Integrity ready



RCD	MCB	MCB	MCB	MCB	MCB	MCB	MCB	RCD	MCB	MCB	MCB	MCB	SPARE WAY	SPARE WAY	DP ISOLATOR
NL1	EBG	EBG	EBG	EBG	EBG	EBG	EBG	NL1	EBG	EBG	EBG	EBG	SPARE WAY	SPARE WAY	NH4 2P 100A

Configurations for NX3-18RA

Dual RCD Consumer Units

NX3-14S

- 4 x 4 Dual RCD Consumer Unit
- 2 x 63A 30mA RCDs,
1 x 100A Main Switch
- High Integrity ready



NX3-16S

- 5 x 5 Dual RCD Consumer Unit
- 2 x 63A 30mA RCDs,
1 x 100A Main Switch
- High Integrity ready



NX3-18S

- 6 x 6 Dual RCD Consumer Unit
- 2 x 63A 30mA RCDs,
1 x 100A Main Switch
- High Integrity ready



NX3-20S

- 7 x 7 Dual RCD Consumer Unit
- 2 x 80A 30mA RCDs,
1 x 100A Main Switch
- High Integrity ready



NX3-22S

- 8 x 8 Dual RCD Consumer Unit
- 2 x 80A 30mA RCDs,
1 x 100A Main Switch
- High Integrity ready



NX3-24S

- 9 x 9 Dual RCD Consumer Unit
- 2 x 80A 30mA RCDs,
1 x 100A Main Switch
- High Integrity ready



Main Switch Boards



NX3-6MS	4 Ways, 1 x 100A Main Switch	NX3-18MS	16 Ways, 1 x 100A Main Switch
NX3-8MS	6 Ways, 1 x 100A Main Switch	NX3-20MS	18 Ways, 1 x 100A Main Switch
NX3-10MS	8 Ways, 1 x 100A Main Switch	NX3-22MS	20 Ways, 1 x 100A Main Switch
NX3-14MS	12 Ways, 1 x 100A Main Switch	NX3-24MS	22 Ways, 1 x 100A Main Switch
NX3-16MS	14 Ways, 1 x 100A Main Switch		

RCD Boards



NX3-6RCD	4 Ways, 1 x 63A RCD	NX3-14RCD	12 Ways, 1 x 80A RCD
NX3-8RCD	6 Ways, 1 x 63A RCD	NX3-16RCD	14 Ways, 1 x 80A RCD
NX3-10RCD	8 Ways, 1 x 63A RCD	NX3-18RCD	16 Ways, 1 x 80A RCD
NX3-10RCD-80	8 Ways, 1 x 80A RCD		

Flush Mounted Lid 8-24 Module



NX3-8FL	8 Module Lid	NX3-18FL	18 Module Lid
NX3-10FL	10 Module Lid	NX3-20FL	20 Module Lid
NX3-14FL	14 Module Lid	NX3-22FL	22 Module Lid
NX3-16FL	16 Module Lid	NX3-24FL	24 Module Lid

Enclosures

with DIN Rail, Earth & Neutral Bars



NX3-2	2 Modules	NX3-5	5 Modules
NX3-3	3 Modules	NX3-6	6 Modules
NX3-4	4 Modules		

Fused Switch Unit



NX3-4-100FS
<ul style="list-style-type: none"> • 100A Fused Switch, SP & N • Complete with 100A fuse • 63A & 80A fuses are available to order RT29-125-63A RT29-125-80A • Knockouts 32mm/40mm top & bottom, 20mm/25mm left & right, 67mm x 68mm back

Shower Unit



NX3-3RA
<ul style="list-style-type: none"> • 1 x 63A 30mA RCD • 1 x 40A C Curve MCB • 3 Ways

Garage Unit



NX3-5RA
<ul style="list-style-type: none"> • 1 x 63A 30mA RCD • 1 x 6A B Curve MCB • 1 x 16A B Curve MCB • 1 Spare Way

Dual Row Consumer Units



NX3-28S

- 22 Ways
- 2 x 80A 30mA RCDs, 1 x 100A Switch
- High Integrity ready



NX3-36S

- 30 Ways
- 2 x 80A 30mA RCDs, 1 x 100A Switch
- High Integrity ready

RCBOs



NB3LEU

NB3LEU, 10KA RCBO

DESCRIPTION	B CURVE	C CURVE
6A 30mA	NB3LEU-B06	NB3LEU-C06
10A 30mA	NB3LEU-B10	NB3LEU-C10
16A 30mA	NB3LEU-B16	NB3LEU-C16
20A 30mA	NB3LEU-B20	NB3LEU-C20
25A 30mA	NB3LEU-B25	NB3LEU-C25
32A 30mA	NB3LEU-B32	NB3LEU-C32
40A 30mA	NB3LEU-B40	NB3LEU-C40
45A 30mA	NB3LEU-B45	NB3LEU-C45
50A 30mA	NB3LEU-B50	NB3LEU-C50

NCH8 Modular AC Contactors

- 2 and 4 NO main poles
- 230V AC coils
- 20A, 40A and 63A
- Quiet operation



NCH8-20

2 POLE, MODULAR AC CONTACTORS

DESCRIPTION	PART NO.
2 Pole 20A 2 NO, 230V AC Coil	NCH8-20
2 Pole 20A 2 NC, 230V AC Coil	NCH8-20-02
2 Pole 40A 2 NO, 230V AC Coil	NCH8-40/20-230V

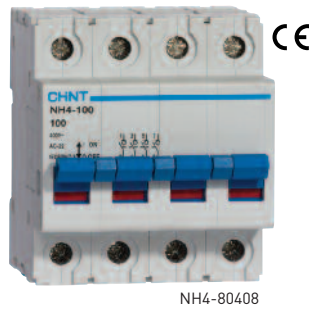


NCH8-4P-63

4 POLE, MODULAR AC CONTACTORS

DESCRIPTION	PART NO.
4 Pole 40A 4 NO, 230V AC Coil	NCH8-4P-40
4 Pole 40A 2 NO / 2 NC, 230V AC Coil	NCH8-40/22-230V
4 Pole 63A 4 NO, 230V AC Coil	NCH8-4P-63

NH4 Isolators



- 1 Pole: Boxed in 12s.
- 2 Pole: Boxed in 6s.
- 3 Pole: Boxed in 4s.
- 4 Pole: Boxed in 3s.

NH4 ISOLATORS	
DESCRIPTION	PART NO.
100A, 1P	NH4-80108
100A, 2P	NH4-80208
100A, 3P	NH4-80308
100A, 4P	NH4-80408
125A, 1P	NH4-90108
125A, 2P	NH4-90208
125A, 3P	NH4-90308
125A, 4P	NH4-90408

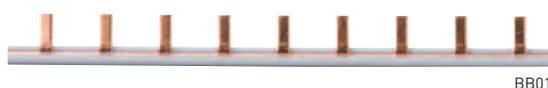
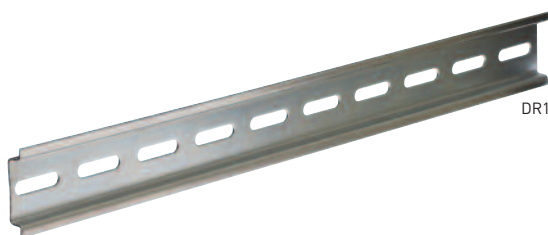
Bell Transformer



- 230V, 50Hz input
- 6V, 9V, 12V, 24V output

BELL TRANSFORMER	
DESCRIPTION	PART NO.
Din Rail Mounted Bell Transformer	SBT-16

DIN Rails and Bus Bar

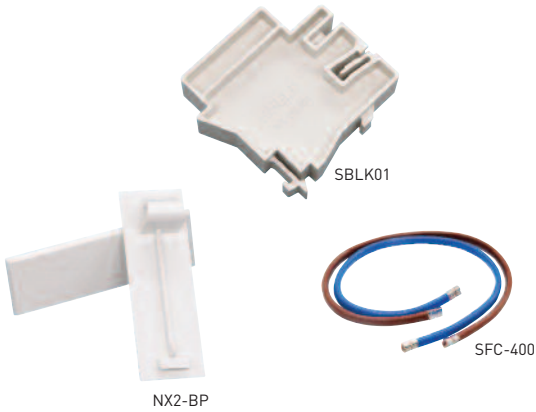


- Available in 1m and 2m stock lengths with 6mm wide centre slots

35mm TOP HAT SECTION DIN RAIL	
DESCRIPTION	PART NO.
1m length Din Rail	DR1
2m length Din Rail	DR2

BUS BAR (per 1 metre length)	
DESCRIPTION	PART NO.
1 Pole MCB Pin Bus Bar	BB01

Accessories for Consumer Units



ACCESSORIES FOR TT SYSTEM BOARDS

DESCRIPTION	PART NO.
Kit for TT System Boards	STT-100

ACCESSORIES FOR CONSUMER UNITS

DESCRIPTION	PART NO.
Din Rail Mounted Blanking Plate	SBLK01
Blanking Plates	NX2-BP
Blue & Brown Flexible Cable, 400mm Length	SFC-400

NXDB 125A TP&N Distribution Boards



Call us for a copy of the catalogue on 0161 762 9333.

CHINT

THE PROFESSIONALS' CHOICE



CHINT
*The Manufacturer
of Products
You Can Trust*



CHINT EUROPE (UK) LTD.

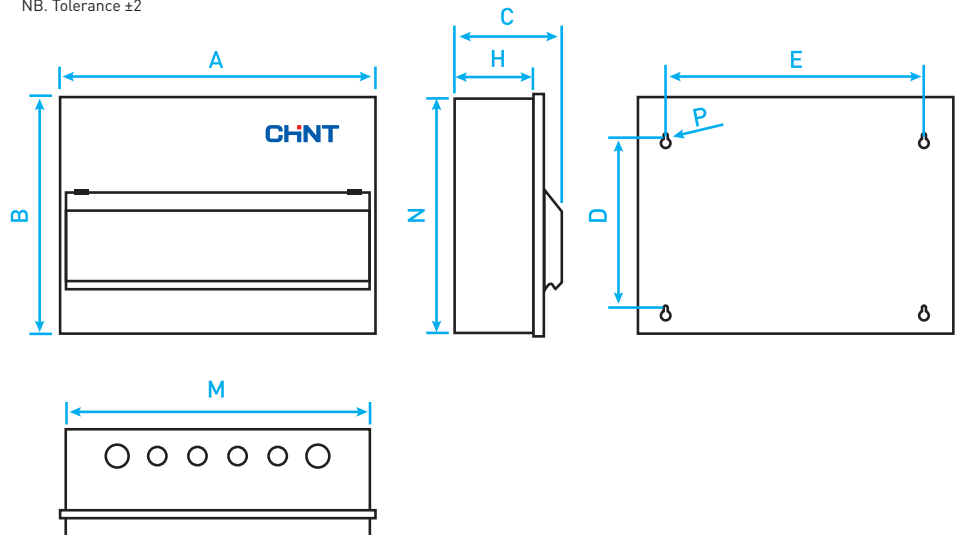
Units 9 & 11, Spark Business Park, Hamilton Road, Stockport SK1 2AE
TEL: 0161 762 9333 FAX: 0161 762 9898 www.chint.co.uk

CHINT METAL CONSUMER UNITS

CONSUMER UNIT DIMENSIONS (in mm)										QUANTITY/CARTON	
Part No.	A	B	C	D	E	M	N	H	P	Part No.	
NX3-2	82	236	102	150	48	76	230	65	Ø6	NX3-2	6
NX3-3*	100	236	102	163	66	94	230	65	Ø5	NX3-3	6
NX3-4*	118	236	102	163	84	112	230	65	Ø5	NX3-4	6
NX3-5*	136	236	102	163	102	130	230	65	Ø5	NX3-5	6
NX3-6*	154	236	102	163	120	148	230	65	Ø5	NX3-6	6
NX3-8*	220	250	113	180	175	209	245	84	Ø5	NX3-8	4
NX3-10*	256	250	113	180	211	245	245	84	Ø5	NX3-10	4
NX3-14*	328	250	113	180	270	322	245	84	Ø5	NX3-14	4
NX3-16*	364	250	113	180	306	358	245	84	Ø5	NX3-16	4
NX3-18*	400	250	113	180	342	394	245	84	Ø5	NX3-18	4
NX3-20*	436	250	113	180	378	430	245	84	Ø5	NX3-20	4
NX3-22*	472	250	113	180	414	466	245	84	Ø5	NX3-22	4
NX3-24*	508	250	113	180	450	502	245	84	Ø5	NX3-24	4
NX3-28*	339	443	113	341	257	329	434	93	Ø7	NX3-28	2
NX3-36*	411	443	113	341	329	401	434	93	Ø7	NX3-36	2

*MS/RA/RCD/S and Empty Versions. NB. Tolerance ±2

FLUSH MOUNT LID		
Part No.	A	B
NX3-8*	250	266
NX3-10*	286	280
NX3-14*	358	280
NX3-16*	394	280
NX3-18*	430	280
NX3-20*	466	280
NX3-22*	502	280
NX3-24*	538	280



NB. Tolerance ±2

AVAILABLE FROM YOUR LOCAL STOCKIST:

Chint Europe (UK) Ltd, Units 9 & 11, Spark Business Park, Hamilton Road, Stockport SK1 2AE
 Tel: +44 (0) 161 762 9333 Fax: +44 (0) 161 762 9898 E-mail: sales@chint.co.uk www.chint.co.uk