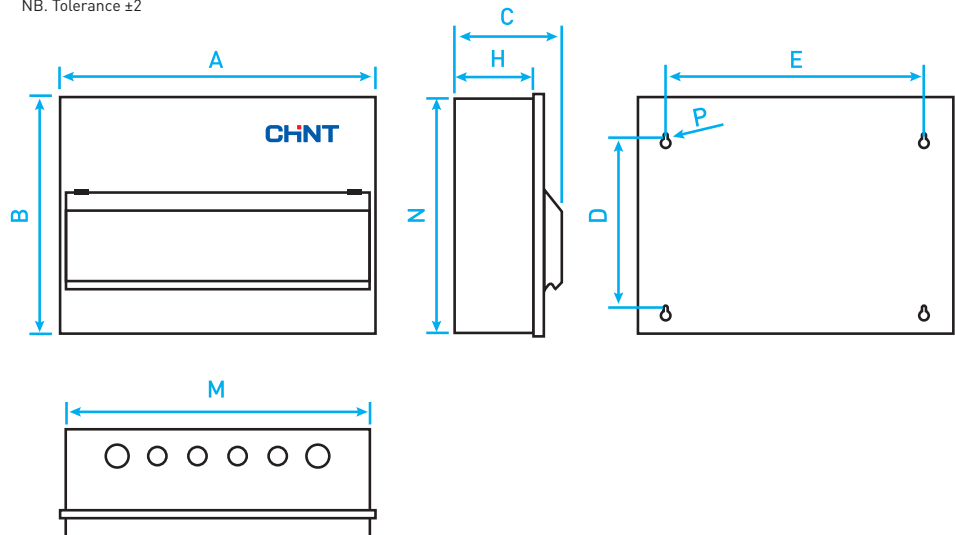


# CHINT METAL CONSUMER UNITS

CONSUMER UNIT DIMENSIONS (in mm)										QUANTITY/CARTON	
Part No.	A	B	C	D	E	M	N	H	P	Part No.	
NX3-2	82	236	102	150	48	76	230	65	Ø6	NX3-2	6
NX3-3*	100	236	102	163	66	94	230	65	Ø5	NX3-3	6
NX3-4*	118	236	102	163	84	112	230	65	Ø5	NX3-4	6
NX3-5*	136	236	102	163	102	130	230	65	Ø5	NX3-5	6
NX3-6*	154	236	102	163	120	148	230	65	Ø5	NX3-6	6
NX3-8*	220	250	113	180	175	209	245	84	Ø5	NX3-8	4
NX3-10*	256	250	113	180	211	245	245	84	Ø5	NX3-10	4
NX3-14*	328	250	113	180	270	322	245	84	Ø5	NX3-14	4
NX3-16*	364	250	113	180	306	358	245	84	Ø5	NX3-16	4
NX3-18*	400	250	113	180	342	394	245	84	Ø5	NX3-18	4
NX3-20*	436	250	113	180	378	430	245	84	Ø5	NX3-20	4
NX3-22*	472	250	113	180	414	466	245	84	Ø5	NX3-22	4
NX3-24*	508	250	113	180	450	502	245	84	Ø5	NX3-24	4
NX3-28*	339	443	113	341	257	329	434	93	Ø7	NX3-28	2
NX3-36*	411	443	113	341	329	401	434	93	Ø7	NX3-36	2

\*MS/RA/RCD/S and Empty Versions. NB. Tolerance ±2

FLUSH MOUNT LID		
Part No.	A	B
NX3-8*	250	266
NX3-10*	286	280
NX3-14*	358	280
NX3-16*	394	280
NX3-18*	430	280
NX3-20*	466	280
NX3-22*	502	280
NX3-24*	538	280



NB. Tolerance ±2

AVAILABLE FROM YOUR LOCAL STOCKIST:

**Chint Europe (UK) Ltd**, Units 9 & 11, Spark Business Park, Hamilton Road, Stockport SK1 2AE  
 Tel: +44 (0) 161 762 9333 Fax: +44 (0) 161 762 9898 E-mail: sales@chint.co.uk [www.chint.co.uk](http://www.chint.co.uk)