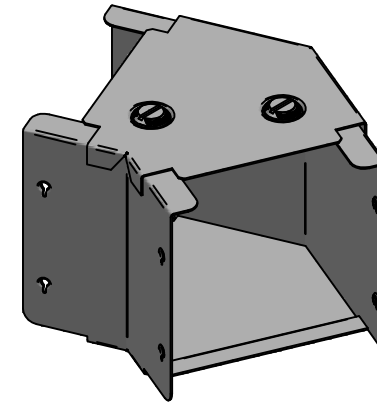
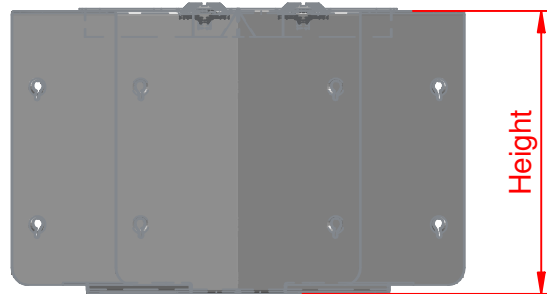
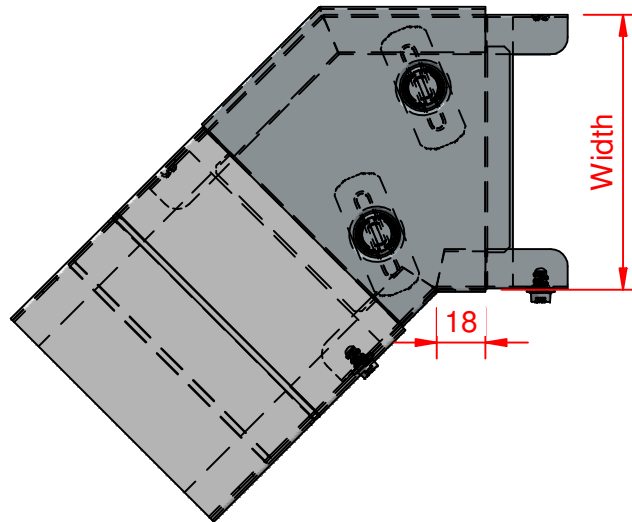


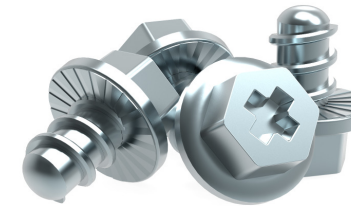


# QuickFix

Size	Width	Height
TE22	50.8	50.8
TE32	76.2	50.8
TE33	76.2	76.2
TE42	101.6	50.8
TE43	101.6	76.2
TE44	101.6	101.6
TE62	152.4	50.8
TE63	152.4	76.2
TE64	152.4	101.6
TE66	152.4	152.4
TE82	203.2	50.8
TE83	203.2	76.2
TE84	203.2	101.6
TE88	203.2	203.2
TE92	228.6	50.8
TE93	228.6	76.2
TE94	228.6	101.6
TE96	228.6	152.4
TE99	228.6	228.6



- ✓ Fast fitting **UniBolt** reduces installation time by as much as 80%
- ✓ **IP4X compliant** as standard
- ✓ **Completes the range** of fast fitting and innovative Cable Management Solutions



In accordance with Unitrunk's policy of continuous improvement, Unitrunk reserves the right to change specifications and designs without notice. Data is the copyright of Unitrunk Ltd and not to be reproduced or passed to a third party without written consent.

<b>Cable Trunking &amp; Ducting Standard</b> BS EN 50085-1 & BS EN 50085-2-1	<b>Material Standard</b> BS EN 10346 (Pre Galv)		<b>Quality Recognition</b>	
	<b>Unitrunk Head Office:</b> 4 Altona Road, Lisburn, BT27 5QB +44 28 9262 5100   info@unitrunk.co.uk unitrunk.co.uk   unitrunk.ie	<b>Lid Fixing</b> Retained Toggle	<b>Torque Value</b> 3 N m	
	<b>Data Sheet Reference</b> 45° Bend Top Lid	<b>Revision</b> 2.01		

