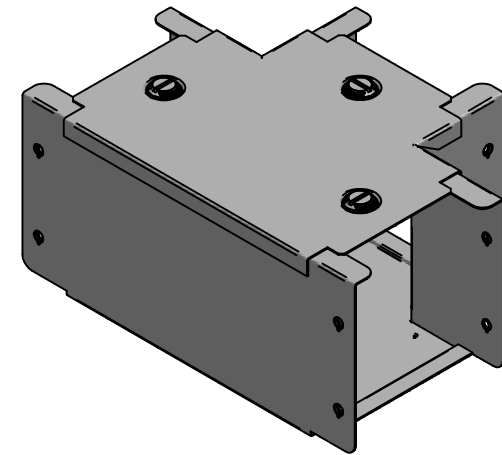
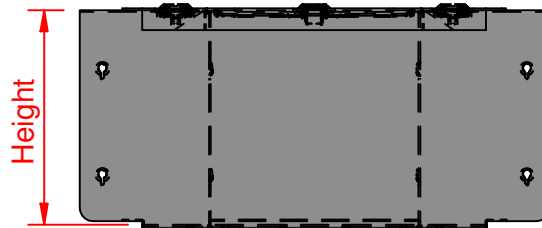
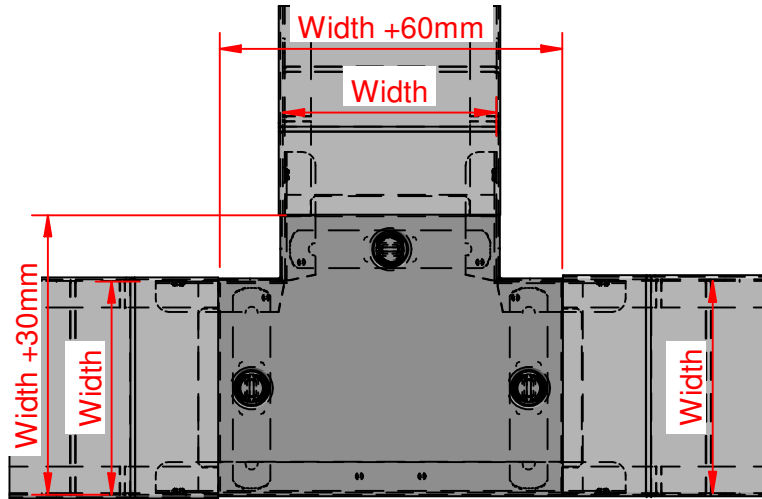


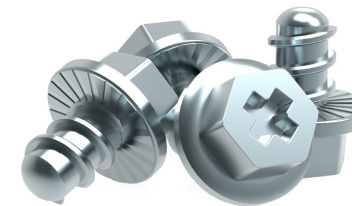


QuickFix

Size	Width	Height
STT22	50.8	50.8
STT32	76.2	50.8
STT33	76.2	76.2
STT42	101.6	50.8
STT43	101.6	76.2
STT44	101.6	101.6
STT62	152.4	50.8
STT63	152.4	76.2
STT64	152.4	101.6
STT66	152.4	152.4
STT82	203.2	50.8
STT83	203.2	76.2
STT84	203.2	101.6
STT88	203.2	203.2
STT92	228.6	50.8
STT93	228.6	76.2
STT94	228.6	101.6
STT96	228.6	152.4
STT99	228.6	228.6



- ✓ Fast fitting **UniBolt** reduces installation time by as much as 80%
- ✓ **IP4X compliant** as standard
- ✓ **Completes the range** of fast fitting and innovative Cable Management Solutions



In accordance with Unitrunk's policy of continuous improvement, Unitrunk reserves the right to change specifications and designs without notice. Data is the copyright of Unitrunk Ltd and not to be reproduced or passed to a third party without written consent.

Cable Trunking & Ducting Standard BS EN 50085-1 & BS EN 50085-2-1		Material Standard BS EN 10346 (Pre Galv)		Quality Recognition	
Unitrunk Head Office: 4 Altona Road, Lisburn, BT27 5QB +44 28 9262 5100 info@unitrunk.co.uk unitrunk.co.uk unitrunk.ie		Lid Fixing	Torque Value		
		Retained Toggle	3 N m		
Data Sheet Reference Sharp Tee Top Lid		Revision	2.01		



UNITRUNK