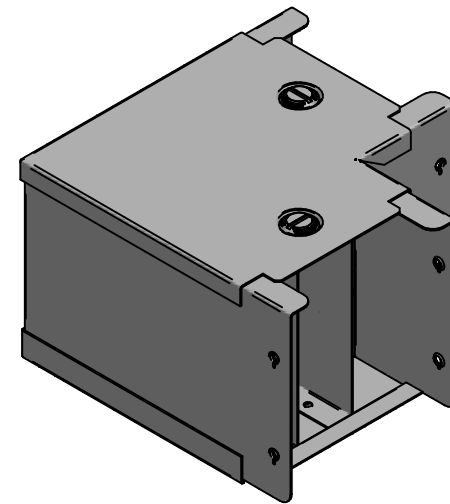
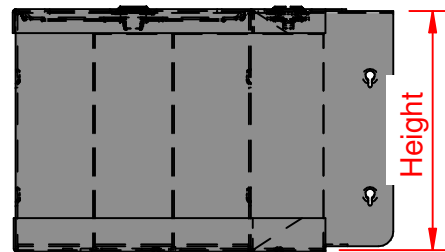
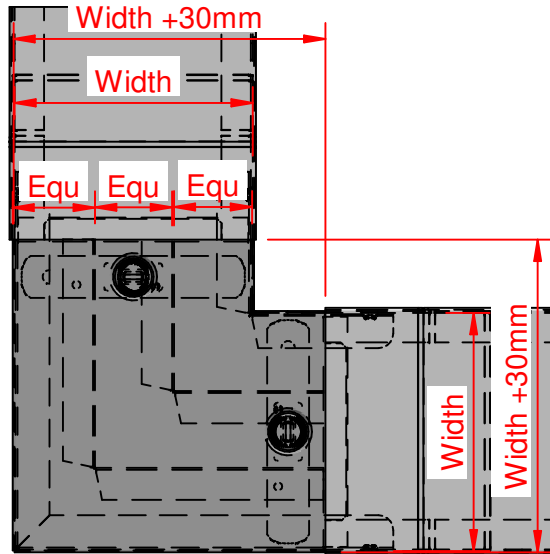


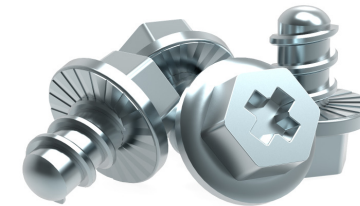


# QuickFix

Size	Width	Height
STE32x3	76.2	50.8
STE33x3	76.2	76.2
STE42x3	101.6	50.8
STE43x3	101.6	76.2
STE44x3	101.6	101.6
STE62x3	152.4	50.8
STE63x3	152.4	76.2
STE64x3	152.4	101.6
STE66x3	152.4	152.4
STE82x3	203.2	50.8
STE83x3	203.2	76.2
STE84x3	203.2	101.6
STE88x3	203.2	203.2
STE92x3	228.6	50.8
STE93x3	228.6	76.2
STE94x3	228.6	101.6
STE96x3	228.6	152.4
STE99x3	228.6	228.6

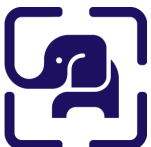


- ✓ Fast fitting **UniBolt** reduces installation time by as much as 80%
- ✓ **IP4X compliant** as standard
- ✓ **Completes the range** of fast fitting and innovative Cable Management Solutions



In accordance with Unitrunk's policy of continuous improvement, Unitrunk reserves the right to change specifications and designs without notice. Data is the copyright of Unitrunk Ltd and not to be reproduced or passed to a third party without written consent.

Cable Trunking & Ducting Standard	Material Standard	Quality Recognition	
BS EN 50085-1 & BS EN 50085-2-1	BS EN 10346 (Pre Galv)		
<b>Unitrunk Head Office:</b> 4 Altona Road, Lisburn, BT27 5QB +44 28 9262 5100   info@unitrunk.co.uk <b>unitrunk.co.uk   unitrunk.ie</b>	Lid Fixing Retained Toggle		
	Data Sheet Reference Sharp Bend Top Lid	Revision 2.01	



# UNITRUNK