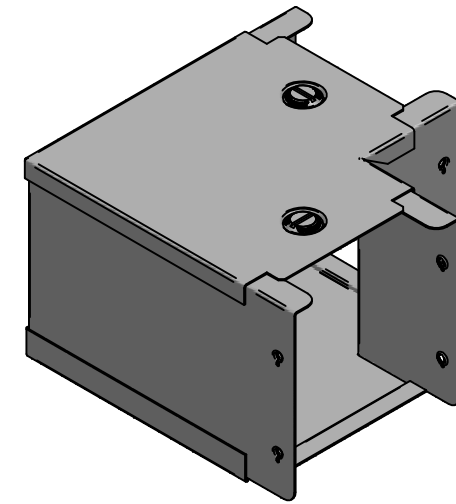
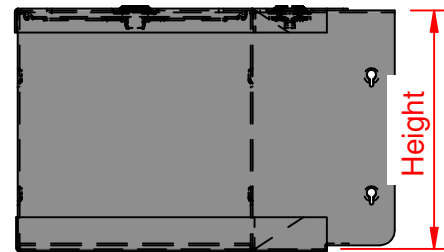
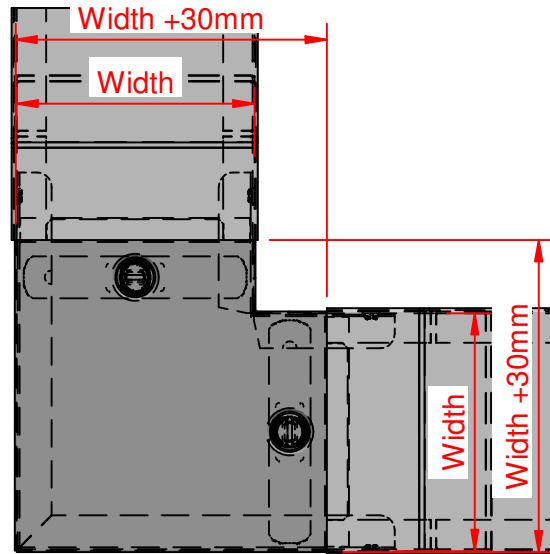


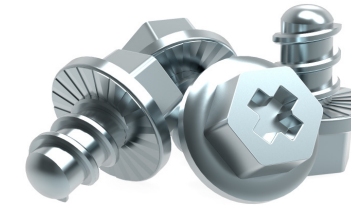


QuickFix

Size	Width	Height
STE22	50.8	50.8
STE32	76.2	50.8
STE33	76.2	76.2
STE42	101.6	50.8
STE43	101.6	76.2
STE44	101.6	101.6
STE62	152.4	50.8
STE63	152.4	76.2
STE64	152.4	101.6
STE66	152.4	152.4
STE82	203.2	50.8
STE83	203.2	76.2
STE84	203.2	101.6
STE88	203.2	203.2
STE92	228.6	50.8
STE93	228.6	76.2
STE94	228.6	101.6
STE96	228.6	152.4
STE99	228.6	228.6



- ✓ Fast fitting **UniBolt** reduces installation time by as much as 80%
- ✓ **IP4X compliant** as standard
- ✓ **Completes the range** of fast fitting and innovative Cable Management Solutions



In accordance with Unitrunk's policy of continuous improvement, Unitrunk reserves the right to change specifications and designs without notice. Data is the copyright of Unitrunk Ltd and not to be reproduced or passed to a third party without written consent.

Cable Trunking & Ducting Standard	Material Standard		Quality Recognition	
BS EN 50085-1 & BS EN 50085-2-1	BS EN 10346 (Pre Galv)		  	
Unitrunk Head Office: 4 Altona Road, Lisburn, BT27 5QB +44 28 9262 5100 info@unitrunk.co.uk unitrunk.co.uk unitrunk.ie	Lid Fixing	Torque Value	 	
	Retained Toggle	3 N m		
	Data Sheet Reference	Revision		
	Sharp Bend Top Lid	2.01		



UNITRUNK