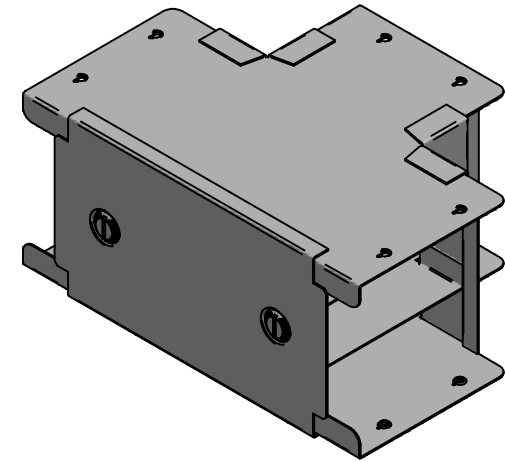
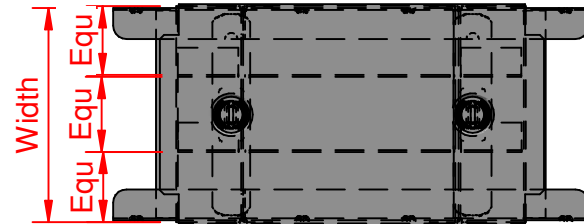
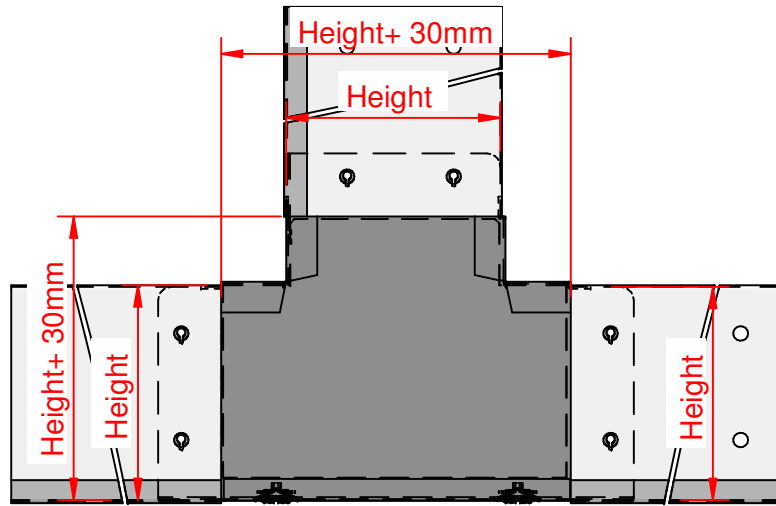


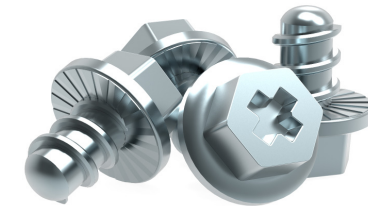


# QuickFix

Size	Width	Height
SOT32x3	76.2	50.8
SOT33x3	76.2	76.2
SOT42x3	101.6	50.8
SOT43x3	101.6	76.2
SOT44x3	101.6	101.6
SOT62x3	152.4	50.8
SOT63x3	152.4	76.2
SOT64x3	152.4	101.6
SOT66x3	152.4	152.4
SOT82x3	203.2	50.8
SOT83x3	203.2	76.2
SOT84x3	203.2	101.6
SOT88x3	203.2	203.2
SOT92x3	228.6	50.8
SOT93x3	228.6	76.2
SOT94x3	228.6	101.6
SOT96x3	228.6	152.4
SOT99x3	228.6	228.6



- ✓ Fast fitting **UniBolt** reduces installation time by as much as 80%
- ✓ **IP4X compliant** as standard
- ✓ **Completes the range** of fast fitting and innovative Cable Management Solutions



In accordance with Unitrunk's policy of continuous improvement, Unitrunk reserves the right to change specifications and designs without notice. Data is the copyright of Unitrunk Ltd and not to be reproduced or passed to a third party without written consent.

<b>Cable Trunking &amp; Ducting Standard</b> BS EN 50085-1 & BS EN 50085-2-1	<b>Material Standard</b> BS EN 10346 (Pre Galv)		<b>Quality Recognition</b>	
	<b>Unitrunk Head Office:</b> 4 Altona Road, Lisburn, BT27 5QB +44 28 9262 5100   info@unitrunk.co.uk <a href="http://unitrunk.co.uk">unitrunk.co.uk</a>   <a href="http://unitrunk.ie">unitrunk.ie</a>	<b>Lid Fixing</b> Retained Toggle	<b>Torque Value</b> 3 N m	
	<b>Data Sheet Reference</b> Sharp Tee Outside Lid	<b>Revision</b> 2.01		

