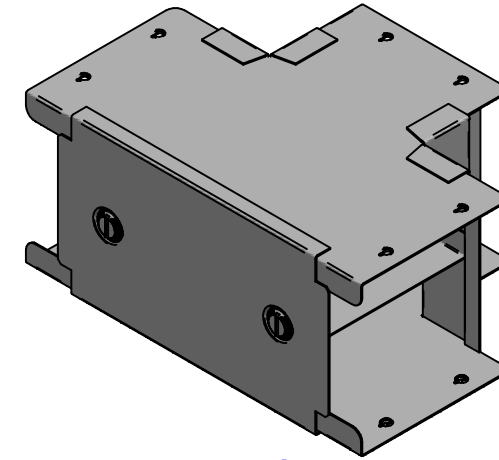
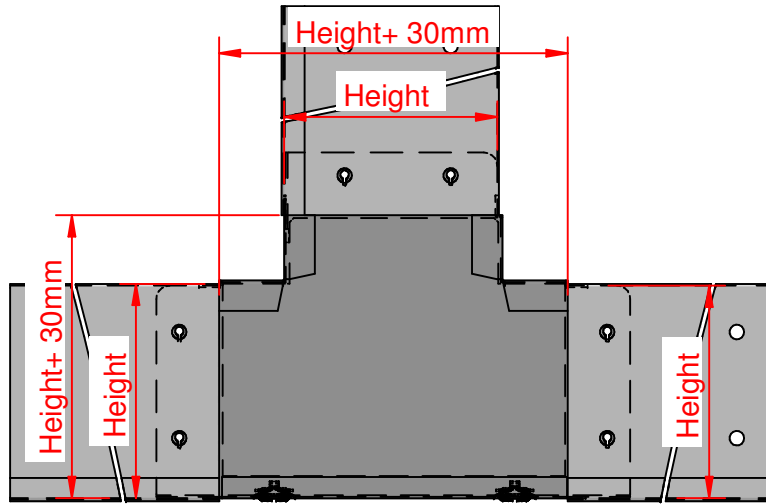


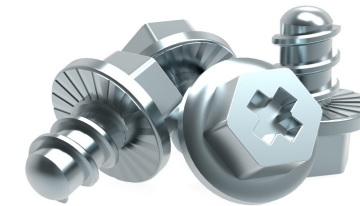
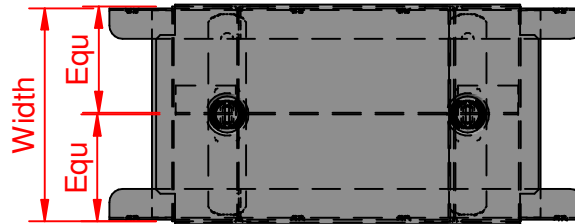


QuickFix

Size	Width	Height
SOT22x2	50.8	50.8
SOT32x2	76.2	50.8
SOT33x2	76.2	76.2
SOT42x2	101.6	50.8
SOT43x2	101.6	76.2
SOT44x2	101.6	101.6
SOT62x2	152.4	50.8
SOT63x2	152.4	76.2
SOT64x2	152.4	101.6
SOT66x2	152.4	152.4
SOT82x2	203.2	50.8
SOT83x2	203.2	76.2
SOT84x2	203.2	101.6
SOT88x2	203.2	203.2
SOT92x2	228.6	50.8
SOT93x2	228.6	76.2
SOT94x2	228.6	101.6
SOT96x2	228.6	152.4
SOT99x2	228.6	228.6



- ✓ Fast fitting **UniBolt** reduces installation time by as much as 80%
- ✓ **IP4X compliant** as standard
- ✓ **Completes the range** of fast fitting and innovative Cable Management Solutions



In accordance with Unitrunk's policy of continuous improvement, Unitrunk reserves the right to change specifications and designs without notice. Data is the copyright of Unitrunk Ltd and not to be reproduced or passed to a third party without written consent.

Cable Trunking & Ducting Standard BS EN 50085-1 & BS EN 50085-2-1	Material Standard BS EN 10346 (Pre Galv)		Quality Recognition	
	Unitrunk Head Office: 4 Altona Road, Lisburn, BT27 5QB +44 28 9262 5100 info@unitrunk.co.uk unitrunk.co.uk unitrunk.ie	Lid Fixing Retained Toggle	Torque Value 3 N m	
	Data Sheet Reference Sharp Tee Outside Lid	Revision 2.01		



UNITRUNK