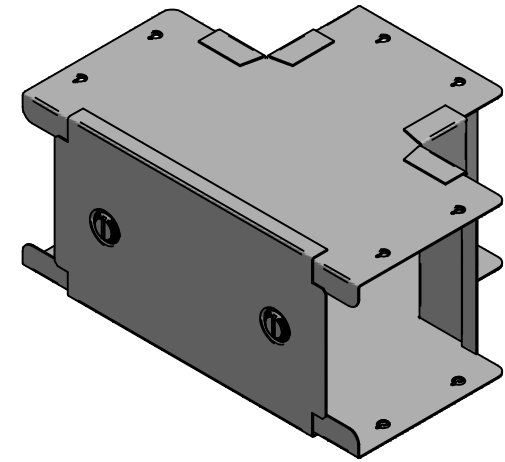
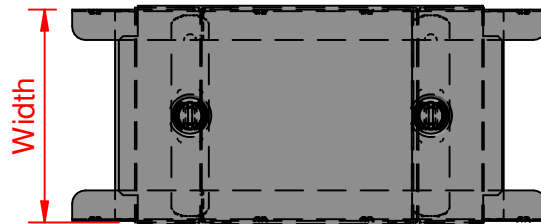
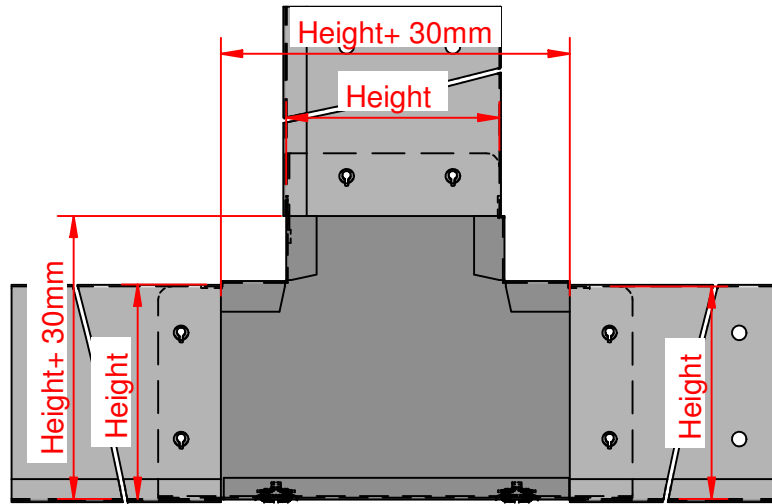


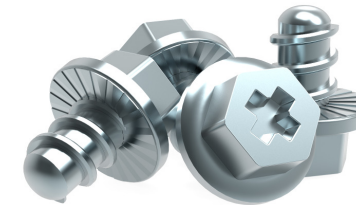


QuickFix

Size	Width	Height
SOT22	50.8	50.8
SOT32	76.2	50.8
SOT33	76.2	76.2
SOT42	101.6	50.8
SOT43	101.6	76.2
SOT44	101.6	101.6
SOT62	152.4	50.8
SOT63	152.4	76.2
SOT64	152.4	101.6
SOT66	152.4	152.4
SOT82	203.2	50.8
SOT83	203.2	76.2
SOT84	203.2	101.6
SOT88	203.2	203.2
SOT92	228.6	50.8
SOT93	228.6	76.2
SOT94	228.6	101.6
SOT96	228.6	152.4
SOT99	228.6	228.6



- ✓ Fast fitting **UniBolt** reduces installation time by as much as 80%
- ✓ **IP4X compliant** as standard
- ✓ **Completes the range** of fast fitting and innovative Cable Management Solutions



In accordance with Unitrunk's policy of continuous improvement, Unitrunk reserves the right to change specifications and designs without notice. Data is the copyright of Unitrunk Ltd and not to be reproduced or passed to a third party without written consent.

Cable Trunking & Ducting Standard BS EN 50085-1 & BS EN 50085-2-1	Material Standard BS EN 10346 (Pre Galv)		Quality Recognition	
	Unitrunk Head Office: 4 Altona Road, Lisburn, BT27 5QB +44 28 9262 5100 info@unitrunk.co.uk unitrunk.co.uk unitrunk.ie	Lid Fixing Retained Toggle	Torque Value 3 N m	
	Data Sheet Reference Sharp Tee Outside Lid	Revision 2.01		



UNITRUNK