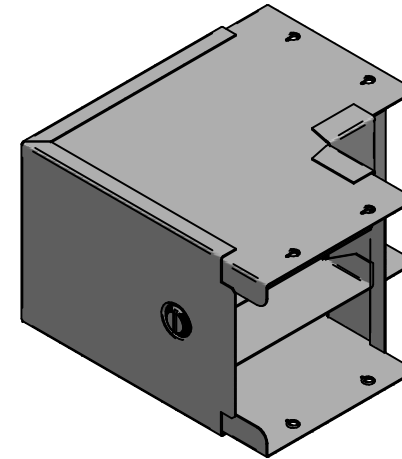
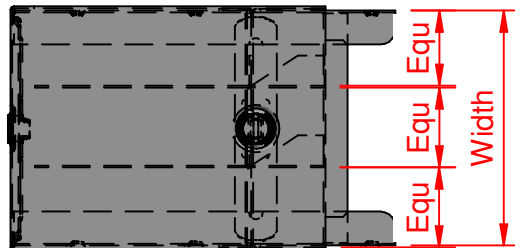
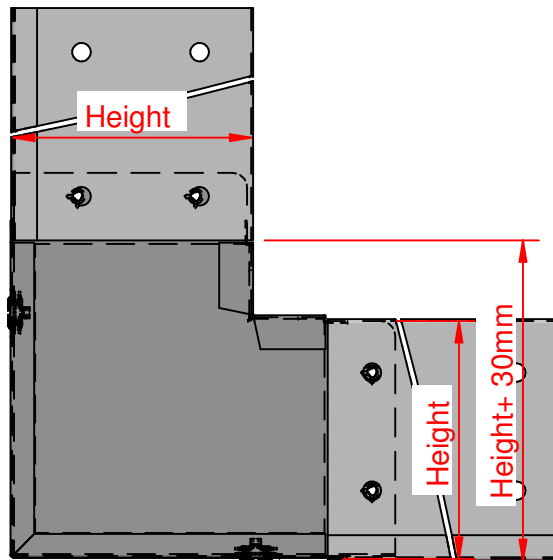


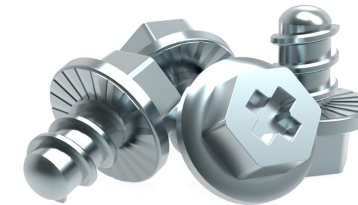


QuickFix

Size	Width	Height
SOE32x3	76.2	50.8
SOE33x3	76.2	76.2
SOE42x3	101.6	50.8
SOE43x3	101.6	76.2
SOE44x3	101.6	101.6
SOE62x3	152.4	50.8
SOE63x3	152.4	76.2
SOE64x3	152.4	101.6
SOE66x3	152.4	152.4
SOE82x3	203.2	50.8
SOE83x3	203.2	76.2
SOE84x3	203.2	101.6
SOE88x3	203.2	203.2
SOE92x3	228.6	50.8
SOE93x3	228.6	76.2
SOE94x3	228.6	101.6
SOE96x3	228.6	152.4
SOE99x3	228.6	228.6



- ✓ Fast fitting **UniBolt** reduces installation time by as much as 80%
- ✓ **IP4X compliant** as standard
- ✓ **Completes the range** of fast fitting and innovative Cable Management Solutions



In accordance with Unitrunk's policy of continuous improvement, Unitrunk reserves the right to change specifications and designs without notice. Data is the copyright of Unitrunk Ltd and not to be reproduced or passed to a third party without written consent.

Cable Trunking & Ducting Standard BS EN 50085-1 & BS EN 50085-2-1		Material Standard BS EN 10346 (Pre Galv)		Quality Recognition	
Unitrunk Head Office: 4 Altona Road, Lisburn, BT27 5QB +44 28 9262 5100 info@unitrunk.co.uk unitrunk.co.uk unitrunk.ie		Lid Fixing Retained Toggle	Torque Value 3 N m		
		Data Sheet Reference Sharp Bend Outside Lid	Revision 2.01		



UNITRUNK