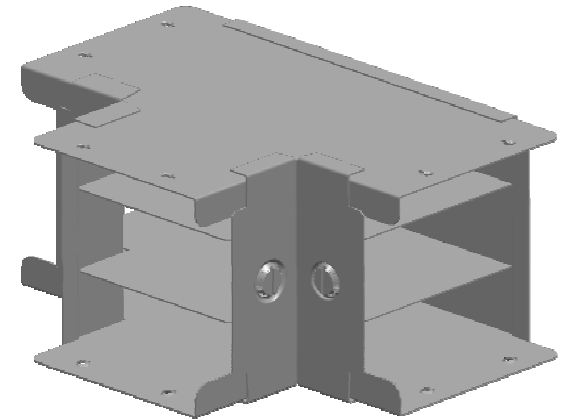
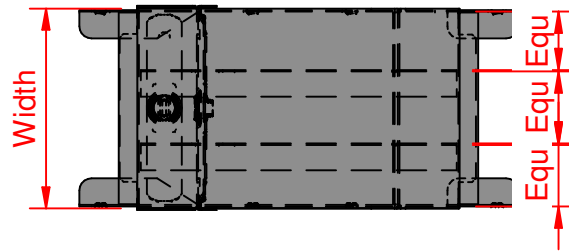
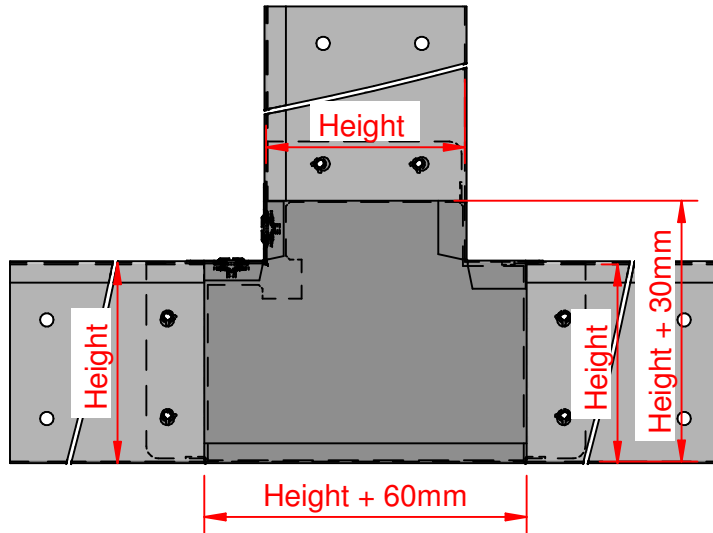




QuickFix

Size	Width	Height
SIT32x3	76.2	50.8
SIT33x3	76.2	76.2
SIT42x3	101.6	50.8
SIT43x3	101.6	76.2
SIT44x3	101.6	101.6
SIT62x3	152.4	50.8
SIT63x3	152.4	76.2
SIT64x3	152.4	101.6
SIT66x3	152.4	152.4
SIT82x3	203.2	50.8
SIT83x3	203.2	76.2
SIT84x3	203.2	101.6
SIT88x3	203.2	203.2
SIT92x3	228.6	50.8
SIT93x3	228.6	76.2
SIT94x3	228.6	101.6
SIT96x3	228.6	152.4
SIT99x3	228.6	228.6



- ✓ Fast fitting **UniBolt** reduces installation time by as much as 80%
- ✓ **IP4X compliant** as standard
- ✓ **Completes the range** of fast fitting and innovative Cable Management Solutions



In accordance with Unitrunk's policy of continuous improvement, Unitrunk reserves the right to change specifications and designs without notice. Data is the copyright of Unitrunk Ltd and not to be reproduced or passed to a third party without written consent.

Cable Trunking & Ducting Standard BS EN 50085-1 & BS EN 50085-2-1		Material Standard BS EN 10346 (Pre Galv)		Quality Recognition	
Unitrunk Head Office: 4 Altona Road, Lisburn, BT27 5QB +44 28 9262 5100 info@unitrunk.co.uk unitrunk.co.uk unitrunk.ie		Lid Fixing Retained Toggle	Torque Value 3 N m		
		Data Sheet Reference Sharp Tee Inside Lid	Revision 2.01		



UNITRUNK