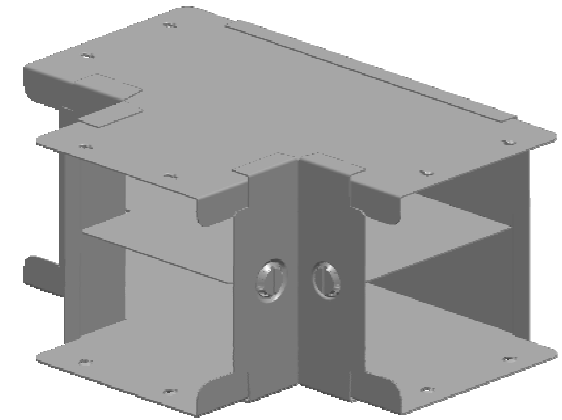
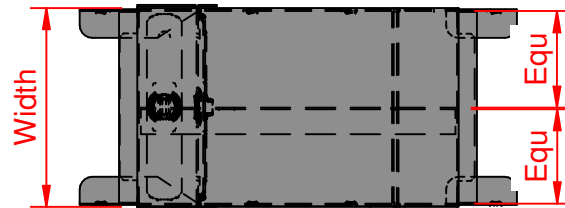
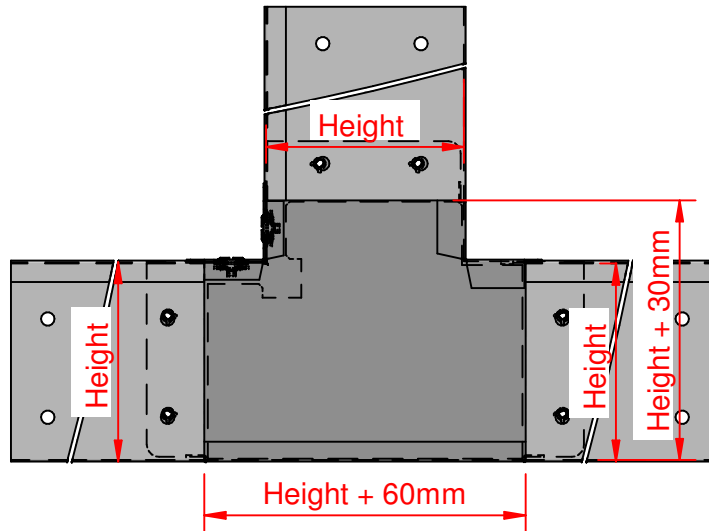


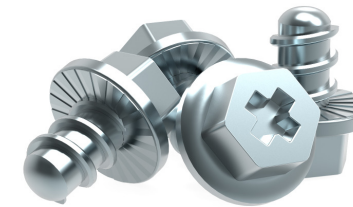


QuickFix

| Size | Width | Height |
|---------|-------|--------|
| SIT22x2 | 50.8 | 50.8 |
| SIT32x2 | 76.2 | 50.8 |
| SIT33x2 | 76.2 | 76.2 |
| SIT42x2 | 101.6 | 50.8 |
| SIT43x2 | 101.6 | 76.2 |
| SIT44x2 | 101.6 | 101.6 |
| SIT62x2 | 152.4 | 50.8 |
| SIT63x2 | 152.4 | 76.2 |
| SIT64x2 | 152.4 | 101.6 |
| SIT66x2 | 152.4 | 152.4 |
| SIT82x2 | 203.2 | 50.8 |
| SIT83x2 | 203.2 | 76.2 |
| SIT84x2 | 203.2 | 101.6 |
| SIT88x2 | 203.2 | 203.2 |
| SIT92x2 | 228.6 | 50.8 |
| SIT93x2 | 228.6 | 76.2 |
| SIT94x2 | 228.6 | 101.6 |
| SIT96x2 | 228.6 | 152.4 |
| SIT99x2 | 228.6 | 228.6 |



- ✓ Fast fitting **UniBolt** reduces installation time by as much as 80%
- ✓ **IP4X compliant** as standard
- ✓ **Completes the range** of fast fitting and innovative Cable Management Solutions



In accordance with Unitrunk's policy of continuous improvement, Unitrunk reserves the right to change specifications and designs without notice. Data is the copyright of Unitrunk Ltd and not to be reproduced or passed to a third party without written consent.

| | | | | | |
|---|--|---|--------------|---------------------|--|
| Cable Trunking & Ducting Standard BS EN 50085-1 & BS EN 50085-2-1 | | Material Standard BS EN 10346 (Pre Galv) | | Quality Recognition | |
| Unitrunk Head Office: 4 Altona Road, Lisburn, BT27 5QB +44 28 9262 5100 info@unitrunk.co.uk unitrunk.co.uk unitrunk.ie | | Lid Fixing | Torque Value | | |
| | | Retained Toggle | 3 N m | | |
| | | Data Sheet Reference | Revision | | |
| | | Sharp Tee Inside Lid | 2.01 | | |



UNITRUNK