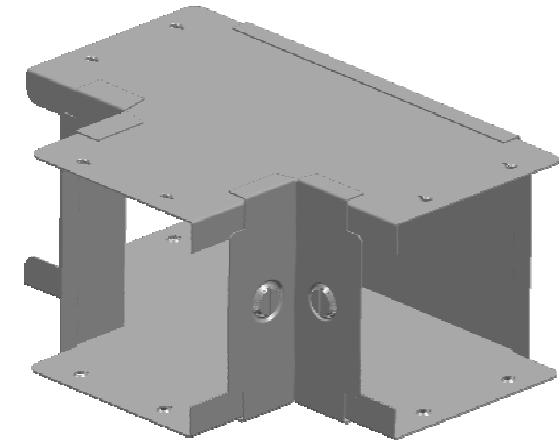
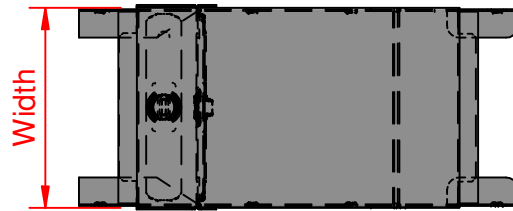
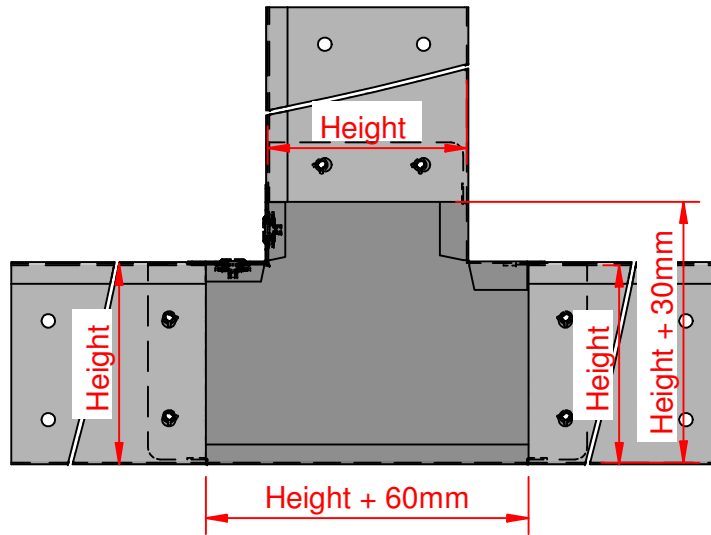


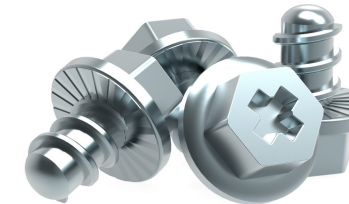


QuickFix

Size	Width	Height
SIT22	50.8	50.8
SIT32	76.2	50.8
SIT33	76.2	76.2
SIT42	101.6	50.8
SIT43	101.6	76.2
SIT43	101.6	101.6
SIT62	152.4	50.8
SIT63	152.4	76.2
SIT64	152.4	101.6
SIT66	152.4	152.4
SIT82	203.2	50.8
SIT83	203.2	76.2
SIT84	203.2	101.6
SIT88	203.2	203.2
SIT92	228.6	50.8
SIT93	228.6	76.2
SIT94	228.6	101.6
SIT96	228.6	152.4
SIT99	228.6	228.6



- ✓ Fast fitting **UniBolt** reduces installation time by as much as 80%
- ✓ **IP4X compliant** as standard
- ✓ **Completes the range** of fast fitting and innovative Cable Management Solutions



In accordance with Unitrunk's policy of continuous improvement, Unitrunk reserves the right to change specifications and designs without notice. Data is the copyright of Unitrunk Ltd and not to be reproduced or passed to a third party without written consent.

Cable Trunking & Ducting Standard BS EN 50085-1 & BS EN 50085-2-1	Material Standard BS EN 10346 (Pre Galv)		Quality Recognition	
	Unitrunk Head Office: 4 Altona Road, Lisburn, BT27 5QB +44 28 9262 5100 info@unitrunk.co.uk unitrunk.co.uk unitrunk.ie	Lid Fixing Retained Toggle	Torque Value 3 N m	
	Data Sheet Reference Sharp Tee Inside Lid	Revision 2.01		

