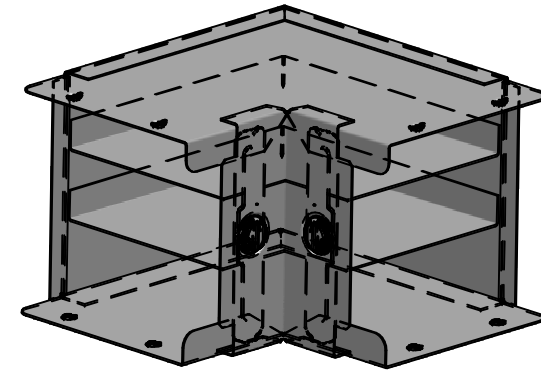
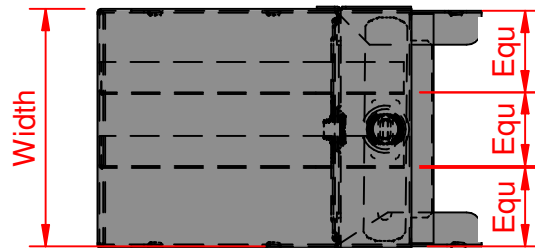
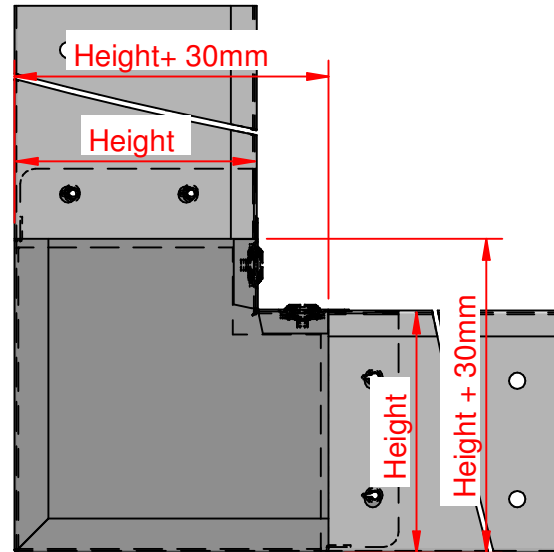


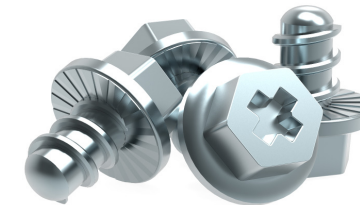


QuickFix

Size	Width	Height
SIE32x3	76.2	50.8
SIE33x3	76.2	76.2
SIE42x3	101.6	50.8
SIE43x3	101.6	76.2
SIE44x3	101.6	101.6
SIE62x3	152.4	50.8
SIE63x3	152.4	76.2
SIE64x3	152.4	101.6
SIE66x3	152.4	152.4
SIE82x3	203.2	50.8
SIE83x3	203.2	76.2
SIE84x3	203.2	101.6
SIE88x3	203.2	203.2
SIE92x3	228.6	50.8
SIE93x3	228.6	76.2
SIE94x3	228.6	101.6
SIE96x3	228.6	152.4
SIE99x3	228.6	228.6



- ✓ Fast fitting **UniBolt** reduces installation time by as much as 80%
- ✓ **IP4X compliant** as standard
- ✓ **Completes the range** of fast fitting and innovative Cable Management Solutions



In accordance with Unitrunk's policy of continuous improvement, Unitrunk reserves the right to change specifications and designs without notice. Data is the copyright of Unitrunk Ltd and not to be reproduced or passed to a third party without written consent.

Cable Trunking & Ducting Standard BS EN 50085-1 & BS EN 50085-2-1	Material Standard BS EN 10346 (Pre Galv)		Quality Recognition	
	Unitrunk Head Office: 4 Altona Road, Lisburn, BT27 5QB +44 28 9262 5100 info@unitrunk.co.uk unitrunk.co.uk unitrunk.ie	Lid Fixing Retained Toggle	Torque Value 3 N m	
	Data Sheet Reference Sharp Bend Inside Lid	Revision 2.01		



UNITRUNK