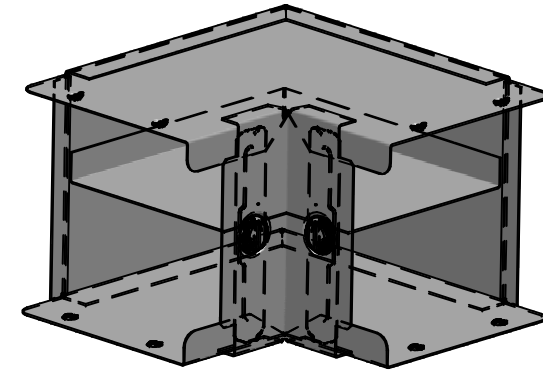
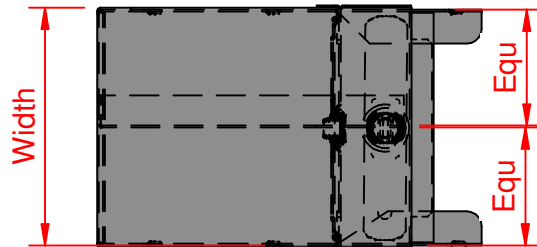
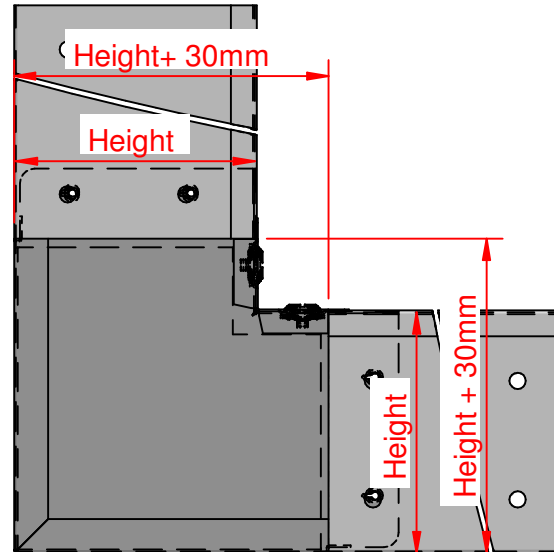


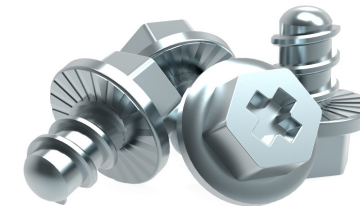


QuickFix

Size	Width	Height
SIE22x2	50.8	50.8
SIE32x2	76.2	50.8
SIE33x2	76.2	76.2
SIE42x2	101.6	50.8
SIE43x2	101.6	76.2
SIE44x2	101.6	101.6
SIE62x2	152.4	50.8
SIE63x2	152.4	76.2
SIE64x2	152.4	101.6
SIE66x2	152.4	152.4
SIE82x2	203.2	50.8
SIE83x2	203.2	76.2
SIE84x2	203.2	101.6
SIE88x2	203.2	203.2
SIE92x2	228.6	50.8
SIE93x2	228.6	76.2
SIE94x2	228.6	101.6
SIE96x2	228.6	152.4
SIE99x2	228.6	228.6



- ✓ Fast fitting **UniBolt** reduces installation time by as much as 80%
- ✓ **IP4X compliant** as standard
- ✓ **Completes the range** of fast fitting and innovative Cable Management Solutions



In accordance with Unitrunk's policy of continuous improvement, Unitrunk reserves the right to change specifications and designs without notice. Data is the copyright of Unitrunk Ltd and not to be reproduced or passed to a third party without written consent.

Cable Trunking & Ducting Standard BS EN 50085-1 & BS EN 50085-2-1	Material Standard BS EN 10346 (Pre Galv)		Quality Recognition	
	Unitrunk Head Office: 4 Altona Road, Lisburn, BT27 5QB +44 28 9262 5100 info@unitrunk.co.uk unitrunk.co.uk unitrunk.ie	Lid Fixing Retained Toggle	Torque Value 3 N m	
	Data Sheet Reference Sharp Bend Inside Lid	Revision 2.01		



UNITRUNK