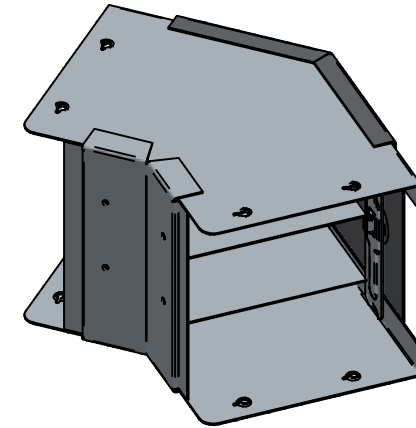
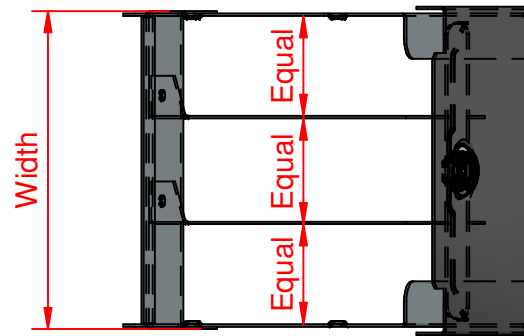
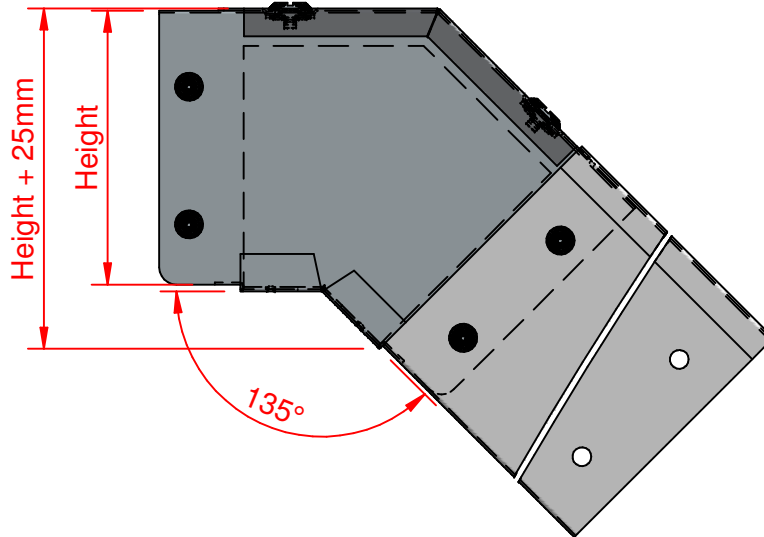


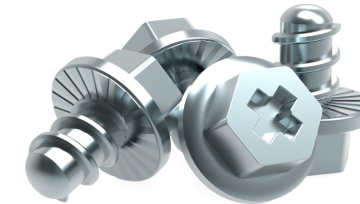


QuickFix

Size	Width	Height
OE32x3	76.2	50.8
OE33x3	76.2	76.2
OE42x3	101.6	50.8
OE43x3	101.6	76.2
OE44x3	101.6	101.6
OE62x2	152.4	50.8
OE63x3	152.4	76.2
OE64x3	152.4	101.6
OE66x3	152.4	152.4
OE82x3	203.2	50.8
OE83x3	203.2	76.2
OE84x3	203.2	101.6
OE88x3	203.2	203.2
OE92x3	228.6	50.8
OE93x3	228.6	76.2
OE94x3	228.6	101.6
OE96x3	228.6	152.4
OE99x3	228.6	228.6



- ✓ Fast fitting **UniBolt** reduces installation time by as much as 80%
- ✓ **IP4X compliant** as standard
- ✓ **Completes the range** of fast fitting and innovative Cable Management Solutions



In accordance with Unitrunk's policy of continuous improvement, Unitrunk reserves the right to change specifications and designs without notice. Data is the copyright of Unitrunk Ltd and not to be reproduced or passed to a third party without written consent.

Cable Trunking & Ducting Standard BS EN 50085-1 & BS EN 50085-2-1	Material Standard BS EN 10346 (Pre Galv)		Quality Recognition	
	Unitrunk Head Office: 4 Altona Road, Lisburn, BT27 5QB +44 28 9262 5100 info@unitrunk.co.uk unitrunk.co.uk unitrunk.ie	Lid Fixing Retained Toggle	Torque Value 3 N m	
	Data Sheet Reference 45° Bend Outside Lid	Revision 2.01		



UNITRUNK