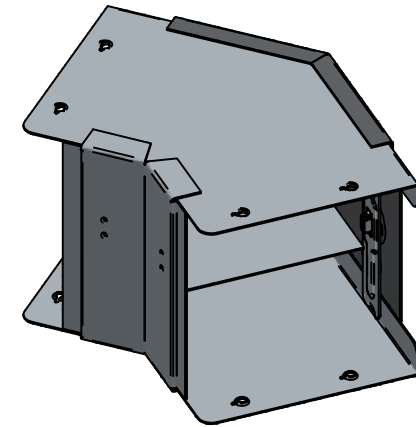
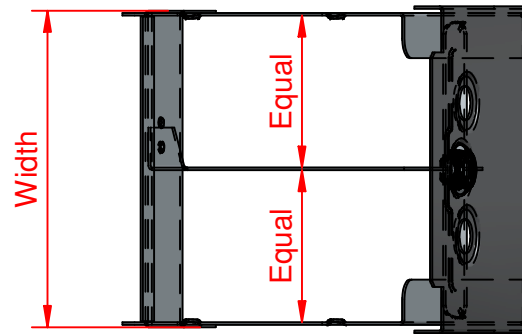
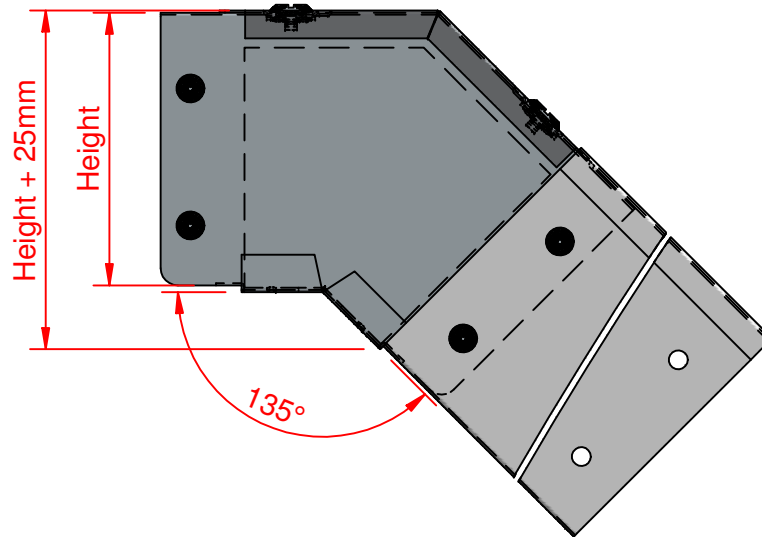


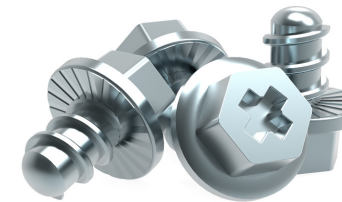


# QuickFix

Size	Width	Height
OE22x2	50.8	50.8
OE32x2	76.2	50.8
OE33x2	76.2	76.2
OE42x2	101.6	50.8
OE43x2	101.6	76.2
OE44x2	101.6	101.6
OE62x2	152.4	50.8
OE63x2	152.4	76.2
OE64x2	152.4	101.6
OE66x2	152.4	152.4
OE82x2	203.2	50.8
OE83x2	203.2	76.2
OE84x2	203.2	101.6
OE88x2	203.2	203.2
OE92x2	228.6	50.8
OE93x2	228.6	76.2
OE94x2	228.6	101.6
OE96x2	228.6	152.4
OE99x2	228.6	228.6



- ✓ Fast fitting **UniBolt** reduces installation time by as much as 80%
- ✓ IP4X compliant as standard
- ✓ Completes the range of fast fitting and innovative Cable Management Solutions



In accordance with Unitrunk's policy of continuous improvement, Unitrunk reserves the right to change specifications and designs without notice. Data is the copyright of Unitrunk Ltd and not to be reproduced or passed to a third party without written consent.

Cable Trunking & Ducting Standard BS EN 50085-1 & BS EN 50085-2-1		Material Standard BS EN 10346 (Pre Galv)		Quality Recognition	
Unitrunk Head Office: 4 Altona Road, Lisburn, BT27 5QB +44 28 9262 5100   info@unitrunk.co.uk unitrunk.co.uk   unitrunk.ie		Lid Fixing	Torque Value		
		Retained Toggle	3 N m		
Data Sheet Reference		Revision			
45° Bend Outside Lid		2.01			



# UNITRUNK