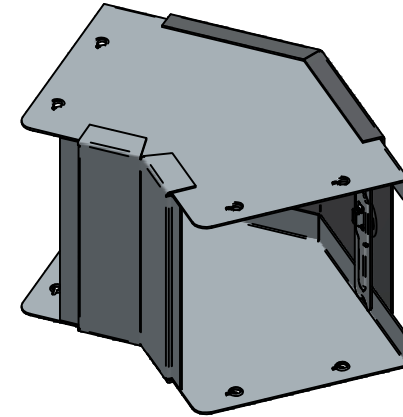
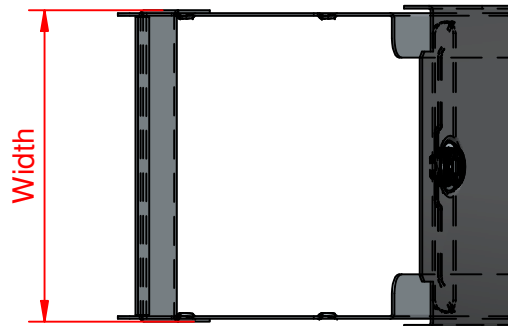
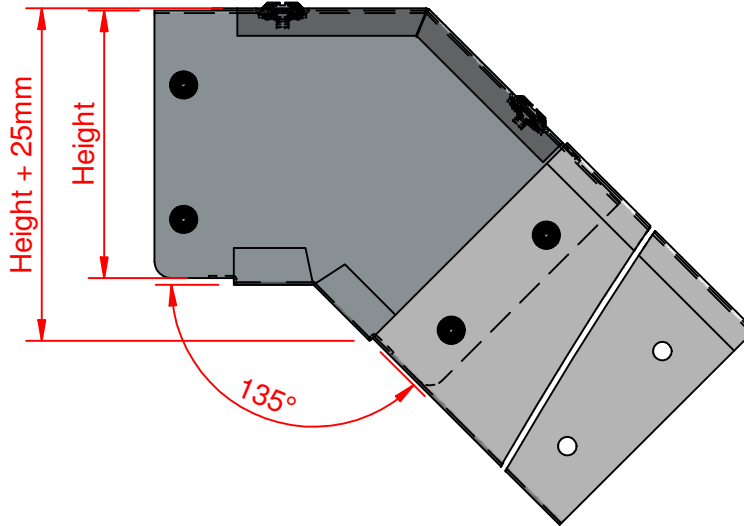


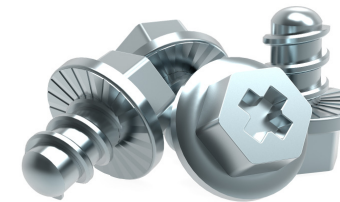


QuickFix

Size	Width	Height
OE22	50.8	50.8
OE32	76.2	50.8
OE33	76.2	76.2
OE42	101.6	50.8
OE43	101.6	76.2
OE44	101.6	101.6
OE62	152.4	50.8
OE63	152.4	76.2
OE64	152.4	101.6
OE66	152.4	152.4
OE82	203.2	50.8
OE83	203.2	76.2
OE84	203.2	101.6
OE88	203.2	203.2
OE92	228.6	50.8
OE93	228.6	76.2
OE94	228.6	101.6
OE96	228.6	152.4
OE99	228.6	228.6



- ✓ Fast fitting **UniBolt** reduces installation time by as much as 80%
- ✓ **IP4X compliant** as standard
- ✓ **Completes the range** of fast fitting and innovative Cable Management Solutions



In accordance with Unitrunk's policy of continuous improvement, Unitrunk reserves the right to change specifications and designs without notice. Data is the copyright of Unitrunk Ltd and not to be reproduced or passed to a third party without written consent.

Cable Trunking & Ducting Standard BS EN 50085-1 & BS EN 50085-2-1		Material Standard BS EN 10346 (Pre Galv)		Quality Recognition	
Unitrunk Head Office: 4 Altona Road, Lisburn, BT27 5QB +44 28 9262 5100 info@unitrunk.co.uk unitrunk.co.uk unitrunk.ie		Lid Fixing	Torque Value		
		Retained Toggle	3 N m		
Data Sheet Reference		Revision			
45° Bend Outside Lid		2.01			

