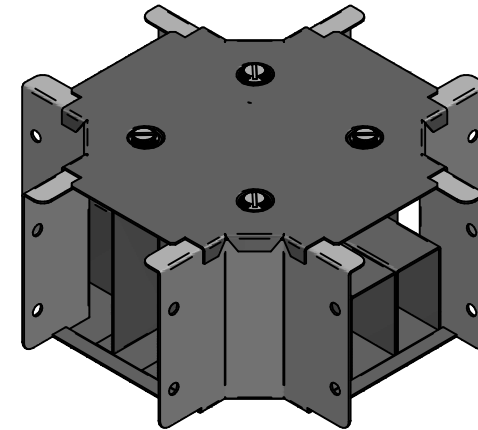
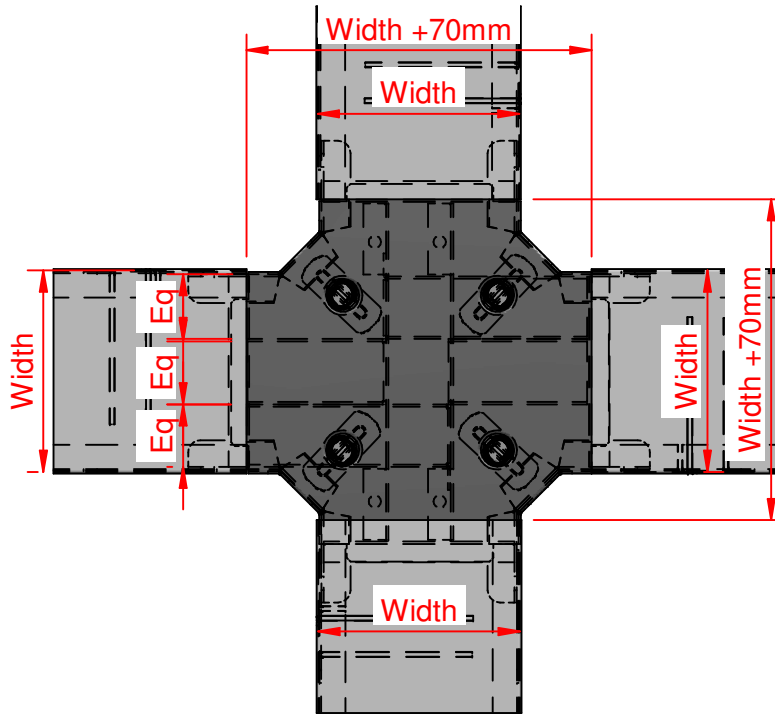


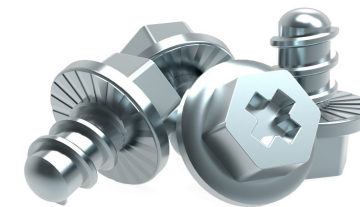


QuickFix

Size	Width	Height
ITB32x3	76.2	50.8
ITB42x3	101.6	50.8
ITB62x3	152.4	50.8
ITB63x3	152.4	76.2
ITB64x3	152.4	101.6
ITB82x3	203.2	50.8
ITB83x3	203.2	76.2
ITB84x3	203.2	101.6
ITB92x3	228.6	50.8
ITB93x3	228.6	76.2
ITB94x3	228.6	101.6
ITB96x3	228.6	152.4



- ✓ Fast fitting **UniBolt** reduces installation time by as much as 80%
- ✓ **IP4X compliant** as standard
- ✓ **Completes the range** of fast fitting and innovative Cable Management Solutions



In accordance with Unitrunk's policy of continuous improvement, Unitrunk reserves the right to change specifications and designs without notice. Data is the copyright of Unitrunk Ltd and not to be reproduced or passed to a third party without written consent.

Cable Trunking & Ducting Standard BS EN 50085-1 & BS EN 50085-2-1	Material Standard BS EN 10346 (Pre Galv)		Quality Recognition	
	Unitrunk Head Office: 4 Altona Road, Lisburn, BT27 5QB +44 28 9262 5100 info@unitrunk.co.uk unitrunk.co.uk unitrunk.ie	Lid Fixing Retained Toggle	Torque Value 3 N m	
	Data Sheet Reference Four Way Intersection	Revision 2.01		

